



-  CHROME
-  BRUSHED CHROME
-  MATTE BLACK
-  ROSE GOLD
-  BRUSHED GOLD
-  NICKEL
-  BRUSHED NICKEL
-  GUNMETAL

HYDROTAP® CUBE FOR HOME

BOILING | **CHILLED** | **SPARKLING**

The stylish HydroTap Cube BCS will complement every lifestyle, with on-demand boiling, sparkling, and chilled water. Unbottle the future. Choose sustainable hydration with HydroTap by Zip Water - the world's most advanced drinking water system.

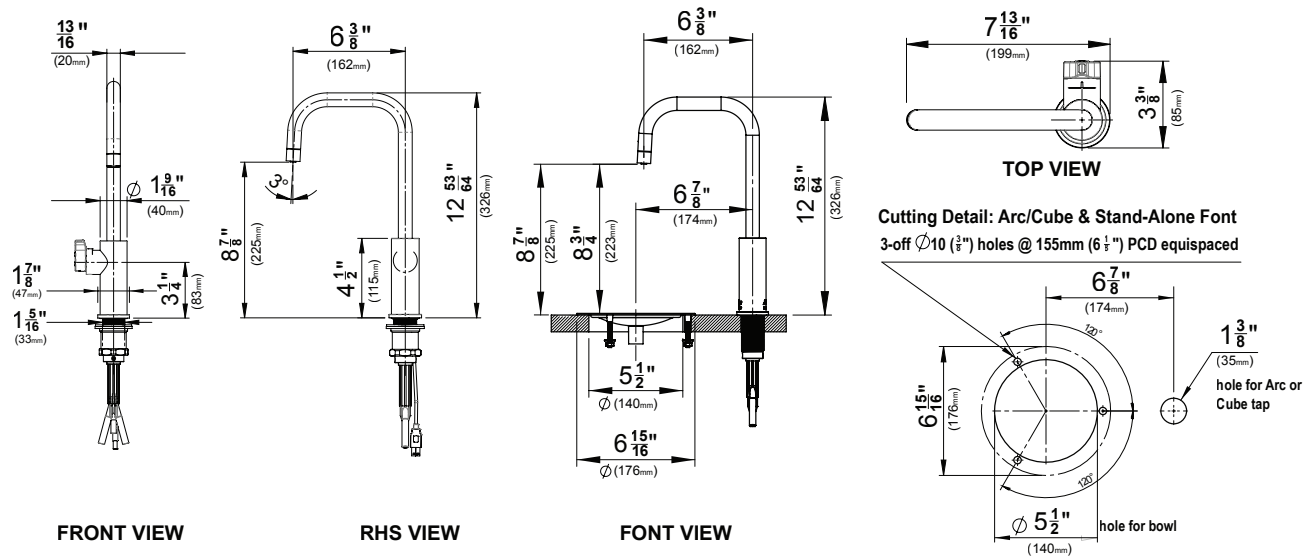
HYDROTAP® CUBE FOR HOME

BOILING | **CHILLED** | **SPARKLING**



TAP SPECS

Style	HydroTap Arc-includes child safety lock
Hole Size	1 3/8"
Tap Height	12.83" fixed height from counter to apex of spout (when installed over a drain font); 10.86" and 12.83" adjustable height (when installed over sink)
Available Finishes	Chrome, Brushed Chrome, Matte Black, Rose Gold, Brushed Gold, Nickel, Brushed Nickel & Gunmetal
Installation	Over sink or on drip tray (optional font - see below); Handle orientation - left or right side
Flow rate	Max 1.8gpm
Sparkling Water Flow Rate	0.36 gpm



MODEL NUMBER (CONSULT LOCAL DEALER FOR PRODUCT CODES)

CUBEBCS120V-CH	Cube (Chrome)
CUBEBCS120V-BC	Cube (Brushed Chrome)
CUBEBCS120V-MB	Cube (Matte Black)
CUBEBCS120V-RG	Cube (Rose Gold)
CUBEBCS120V-BG	Cube (Brushed Gold)
CUBEBCS120V-NI	Cube (Nickel)
CUBEBCS120V-BN	Cube (Brushed Nickel)
CUBEBCS120V-GM	Cube (Gunmetal)

PRODUCT CODES FOR OPTIONAL FONTS

01034269	Drip Tray, Design Range Font (Chrome)
01034270	Drip Tray, Design Range Font (Brushed Chrome)
01034271	Drip Tray, Design Range Font (Matte Black)
01034272	Drip Tray, Design Range Font (Rose Gold)
01034273	Drip Tray, Design Range Font (Brushed Gold)
01034274	Drip Tray, Design Range Font (Nickel)
01034275	Drip Tray, Design Range Font (Brushed Nickel)
01041881	Drip Tray, Design Range Font (Gunmetal)

PRODUCT CODES FOR ACCESSORIES

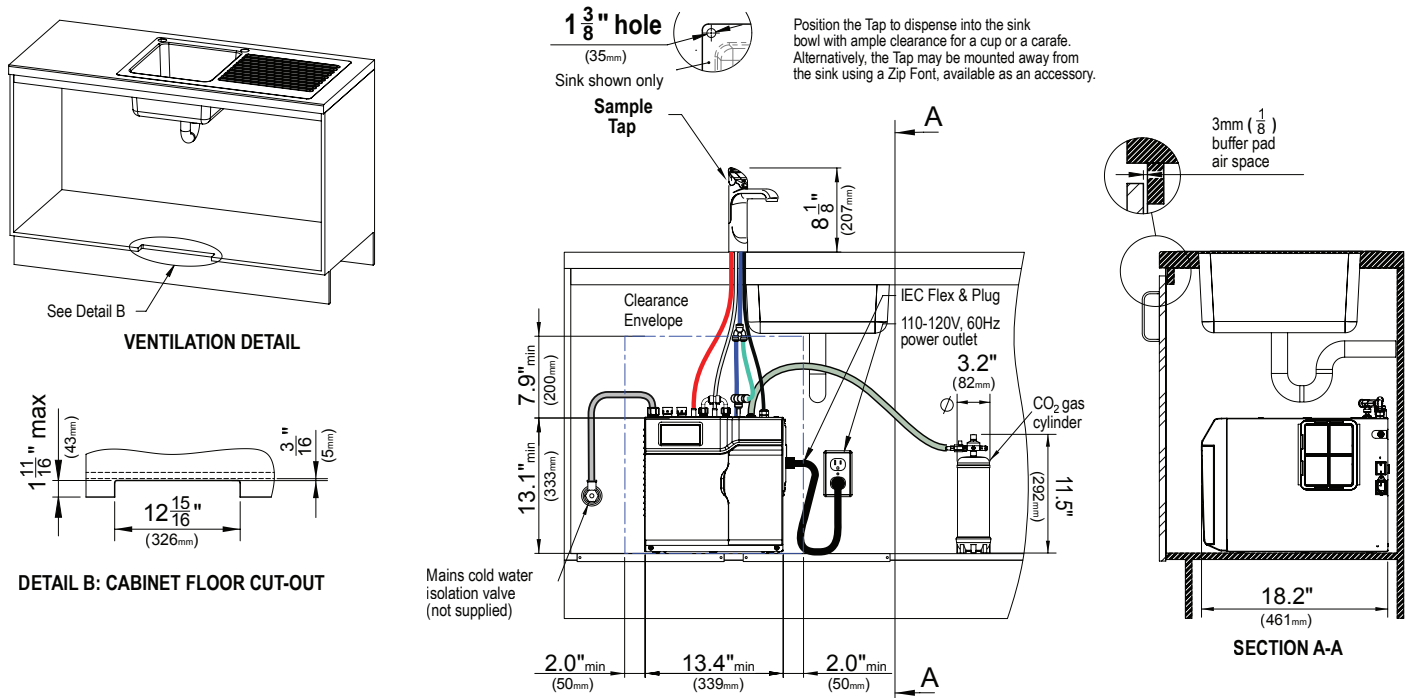
01034276	Filter, Zip, 0.2 Micron, 1 Size - 93701	01034347	Zip 2 x 1.5lb CO ₂ refillable/recyclable cylinders
01034277	Filter, Zip, 0.2 Micron, 1.5 Size - 93702	01034348	Zip 1 x 5lb CO ₂ refillable/recyclable cylinders
01034278	Filter, Zip, 3 Micron, 1.5 Size - 93703	01034349	Zip CO ₂ Regulator
01037874	External Scale Installation Kit (includes filter)	01037868	External Scale Replacement Filter

HYDROTAP® CUBE FOR BOILING | CHILLED | SPARKLING



BCS120V - COMMAND CENTER SPECS

Water Pressure	Min 36psi – Max 100psi with a minimum flow rate of 1 gpm
Water Connection	½" BSP - isolation valve is required within 3' of the installation
Integral Water Values	HydroTaps are fitted with a dual check valve and a 50psi pressure limiting valve
Water Supply Requirements	Potable drinking water supply
Total Dissolved Solids (TDS)	TDS minimum 50ppm – maximum 120ppm
Integral Water Filter	0.2 micron, 1 size - replace every 1,500 gallons or 12 months
Power Rating	110-120V, 60 Hz, 1.25kW, 9A draw
Power Supply Requirements	110-120V, 60Hz 15A power supply with a NEMA 5-15 outlet
Dimensions (WxDxH)	13.4" x 18.2" x 13.1"
Minimum Air Gap	Clearances are required - 2" left side , 2" right side , 8" above
Dry Weight	79.36lbs
Product Approvals	IAPMO - NSF/ANSI 372, 42 & 53, cUL, CEC
Warranty	2 years (1 year limited warranty plus additional 1 year warranty is available on product registration)
CO ₂ Cylinder	2 x 1.5lb beverage-grade carbon dioxide cylinder
CO ₂ Capacity	Approximately 450 glasses of sparkling water per 1.5lb CO ₂ cylinder
CO ₂ Operating Pressure	Min 39psi - Max 43psi
Maximum Hose Connection Length	3' (tap to command center)
Minimum Distance Needed for Installation	15" (interior wall to disposal)
Recommended Cabinet Depth	24"



Installation and connection of your HydroTap must be carried out by a qualified person, observing all local, state, & federal regulations. You will require suitable 110 -120V 60Hz 15 amp power supply with a NEMA 5-15 electrical outlet within 3' of the product. The HydroTap is a pump-driven system so the installation of the Tap must be within 3' of the base command center. The HydroTap is an air-cooled system so discrete cabinetry cut-outs are required for ventilation. Installation on most countertops is straightforward however some stone countertops may require a specialized cutting service. If using a drip tray [font] accessory, suitable drainage to a trapped waste is required within 3' of the installation. If you live in an area with hard water (more than 120ppm), we recommend installation of a scale filtration kit. Sufficient space and clearance to install the HydroTap as detailed in the product installation guidelines is required. Installation by Zip Professional Service can be arranged with a phone call to 1-833-233-2358 or through <https://us.zipwater.com>.