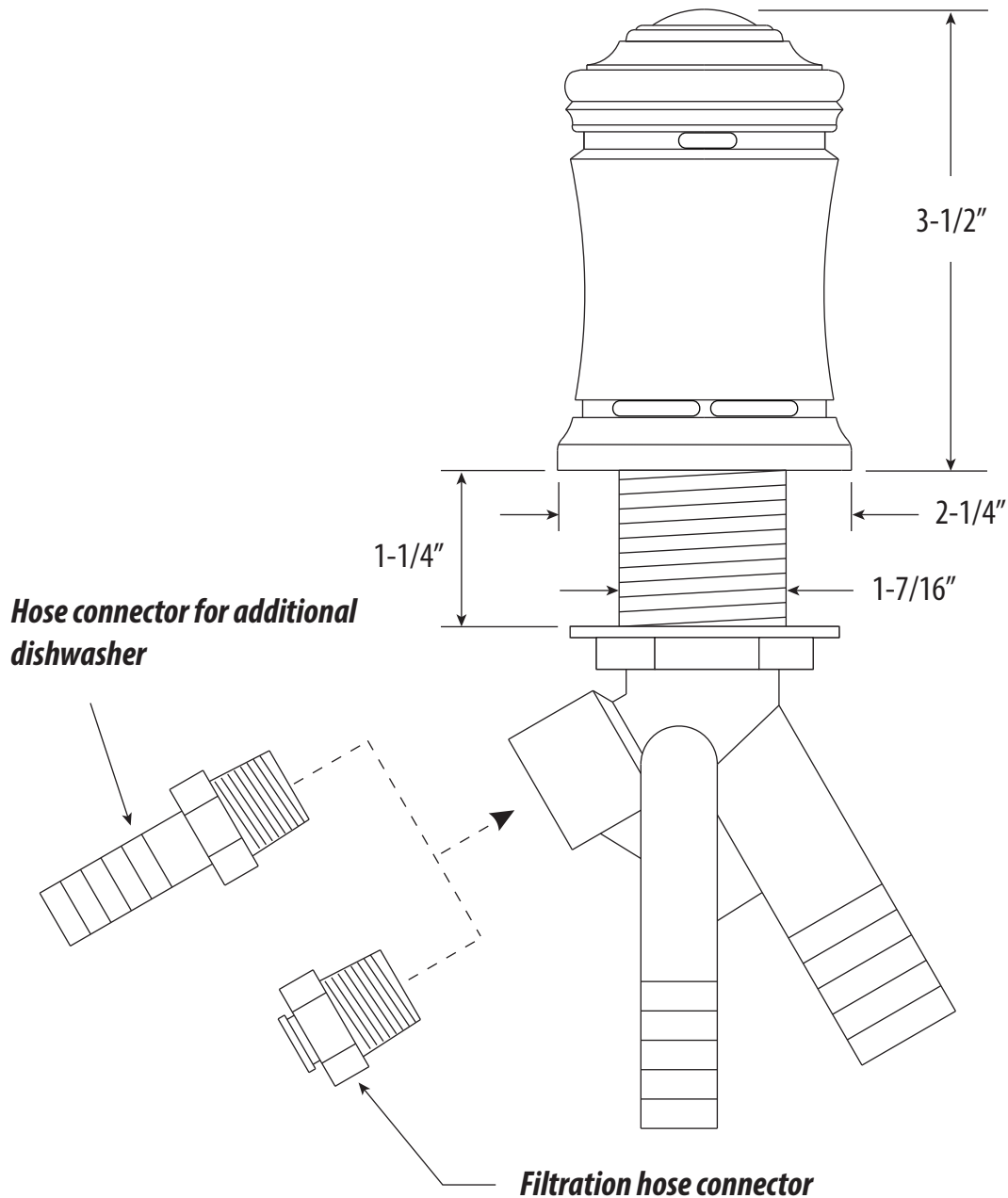


## TRADITIONAL DUAL PORT AIR GAP

# 4030

- MAX COUNTER THICKNESS 1-1/4"
- INSTALL HOLE SIZE ADAPTABLE UP TO 1-1/2"



DIMENSIONS MAY VARY AND ARE SUBJECT TO CHANGE. NO RESPONSIBILITY IS ASSUMED FOR USE OF SUPERCEDED OR VOIDED DATA

