

Two-Way Volume Control Valve

FEATURES

- Corrosion resistant
- 1/2" NPT connection

CODES/STANDARDS

- Meets or exceeds ASME A112.18.1/CSA B125.1
- Certifications: IAPMO(cUPC), State of Massachusetts and others
- Code Compliance: UPC, IPC, NSPC, NPC Canada, and others



PRODUCT SPECIFICATION

The two-way volume control valve shall have a NPT connection. Two-way volume control valve shall be TOTO Model TS2D and required two-way volume control trim sold separately.

TS2D

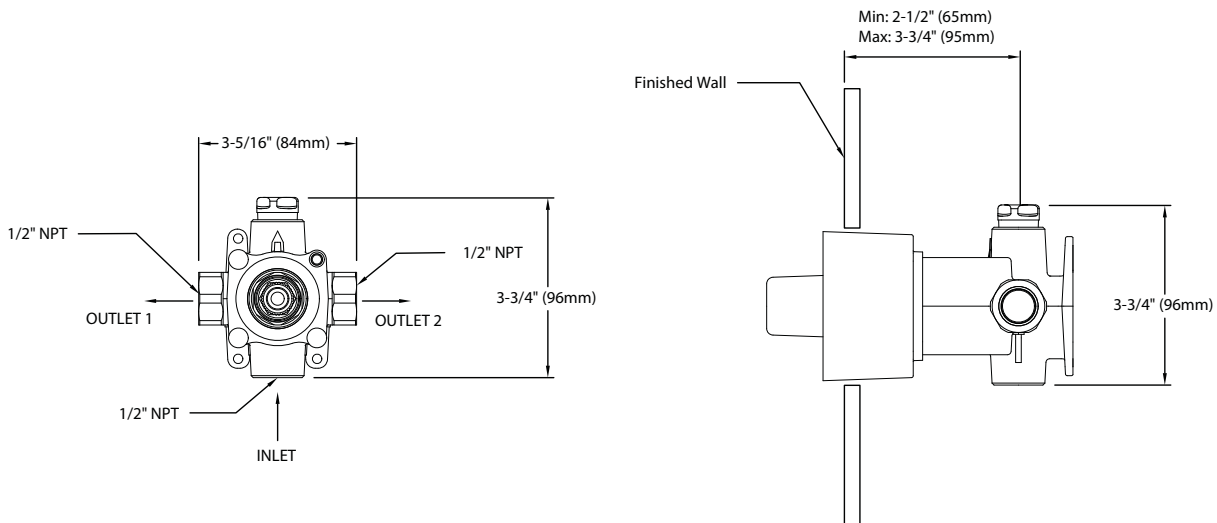
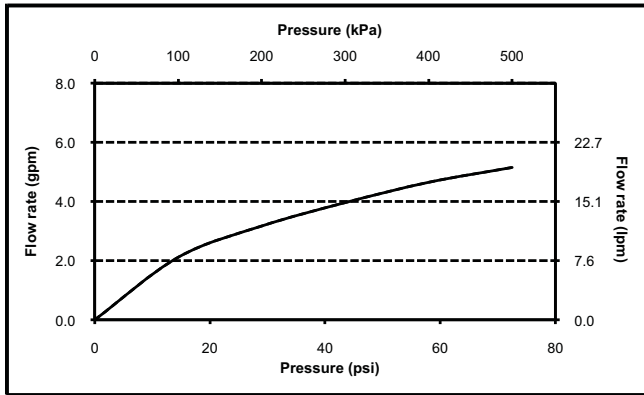
Two-Way Volume Control Valve

SPECIFICATIONS

- Warranty: Lifetime Limited Warranty (Residential Use)
One Year (Commercial Use)
- Material: Bronze
- Shipping Weight: 1.68 lbs.
- Shipping Dimensions: 7-5/8" L x 5-1/8" W x 6-1/2" H

INSTALLATION NOTES

TRIM REQUIRED:
Two-way volume control trim sold separately.



TOTO

These dimensions and specifications are subject to change without notice