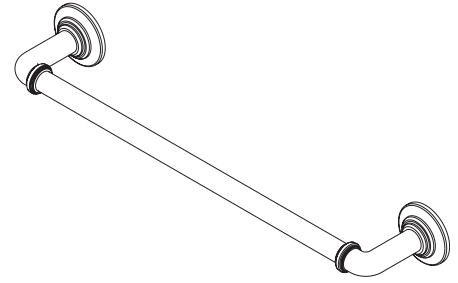




# SYMMONS® Winslet™

## 24 inch Towel Bar 513TB-24

### Specification Submittal



#### Model Numbers

- 513TB-24 24 inch Towel Bar

#### Feature Highlights

- Metal construction
- Mounting hardware included
- Standard finish is polished chrome

#### Finish Options

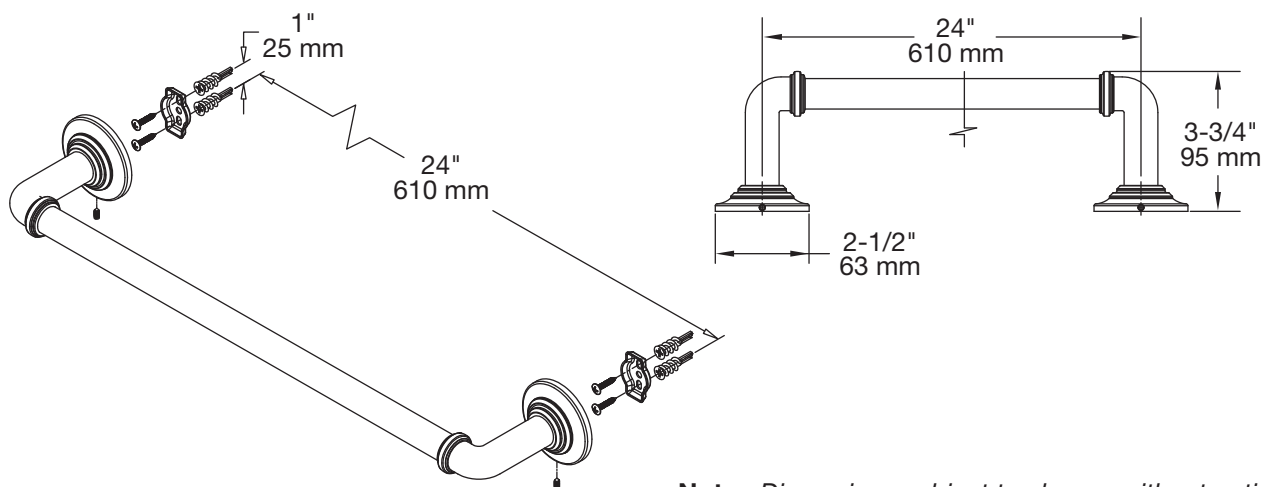
Append appropriate -suffix to model number.

- STN Satin nickel finish
- ORB Oil rubbed bronze finish
- Polished chrome finish (standard)

#### Warranty

- Limited Lifetime - to the original end purchaser in residential/consumer installations.
- 5 years - for commercial installations

#### Dimensions Winslet 24 inch Towel Bar, 513TB-24



**Note:** Dimensions subject to change without notice.

Symmons Industries, Inc. ■ 31 Brooks Drive ■ Braintree, MA 02184  
Phone (800) 796-6667 ■ Fax (800) 961-9621  
Website: [www.symmons.com](http://www.symmons.com) ■ Email: [gethelp@symmons.com](mailto:gethelp@symmons.com)

© 2014 Symmons Industries, Inc. Printed in U.S.A. ■ ZV-1258 Rev 0 ■ 080814



**SYMMONS®**  
the smart choice™