

Location:



SYMMONS® Winslet®

Tub & Shower Valve System S-5100TS Specification Submittal



Feature Highlights

- Symmons tub and shower valve system with lever handles.
- Symmons Temptrol® pressure balancing mixing valve with adjustable stop screw to limit handle turn.
- Secondary integral diverter control handle
- Polished chrome finish

Model Numbers

- S-5100TS
Tub & Shower Valve System with Symmons Temptrol® mixing valve p/n S-46-2-BODY
- S-5100TS-TRM
Trim only, valve must be ordered separately
- S-46-2-BODY
Symmons Temptrol® mixing valve without trim
- S-46-2X-BODY
Symmons Temptrol® mixing valve without trim. Valve includes integral service stops to allow water shut-off for service

Finish Options / Modifications

Append appropriate -suffix to model number.

- STN Satin Nickel
- Polished chrome (standard finish)

Standards / Certifications

ASME A112.18.1/CSA B125.1




Warranty

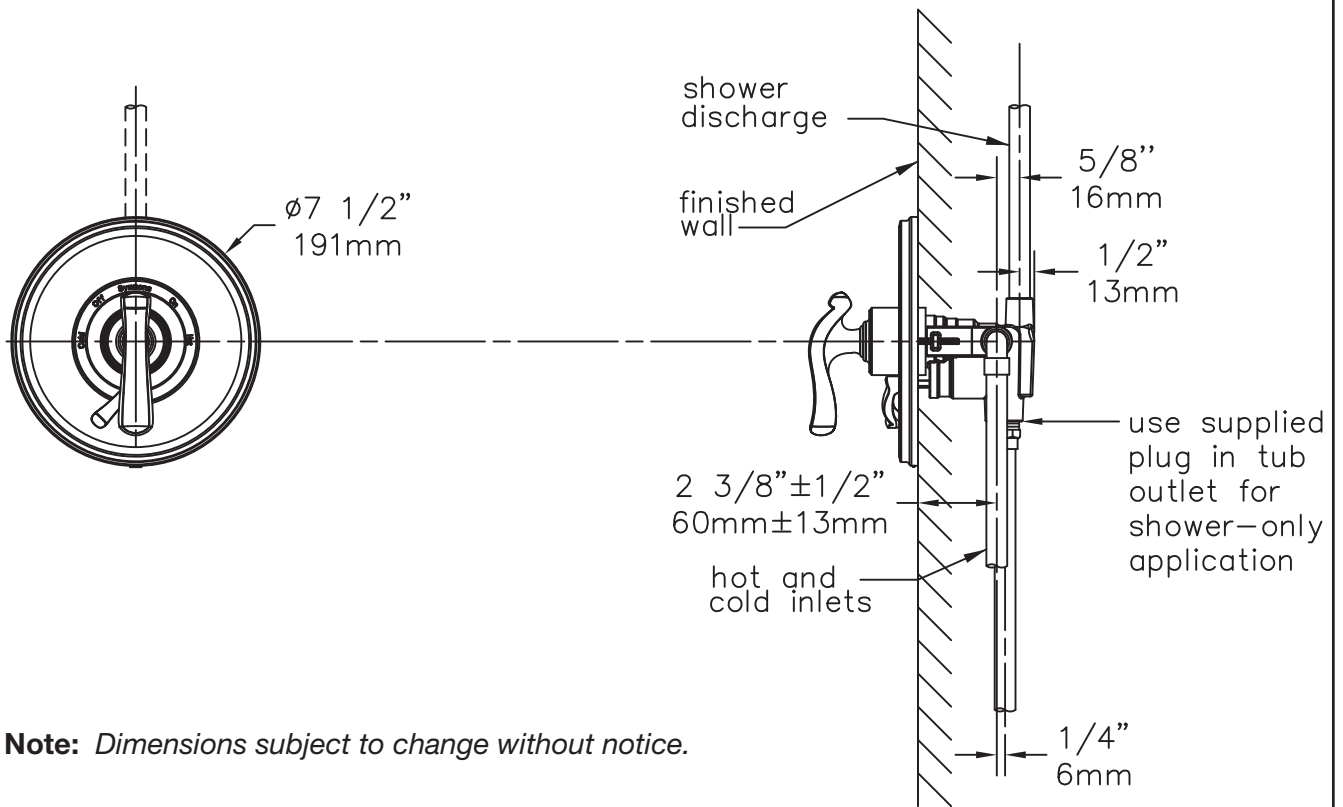
- Limited Lifetime - to the original end purchaser in consumer installations.
- 5 years - for commercial installations

Options / Modifications

Append appropriate -suffix to model number.

- IPS 1/2" female IPS connections
-  -LP Loop handle
- REB Rebuild trim kit, includes TA-10 and TA-4
- REV Reverse coring, hot on right, cold on left, for back to back installations
- VP Vandal resistant escutcheon screws in place of standard screws
- X Integral service stops - allows water shutoff at valve for service
- X-CHKS Integral check stops - for use in installations where a positive shut-off device is used downstream of mixing valve

Dimensions Winslet Shower Valve System, S-5100TS



Note: Dimensions subject to change without notice.