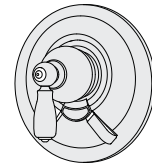


Location:

# SYMMONS® Allura™

## Tub and Shower System S-4702 Specification Submittal



### Feature Highlights

- Symmons tub and shower system with lever handle.
- Symmons Temptrol® pressure balancing mixing valve with adjustable stop screw to limit handle turn.
- Secondary integral diverter/volume control handle
- Showerhead, #4-143, 3 mode flood, mist or pulse spray
- Showerhead mounting arm and flange
- Showerhead, 2.5 gpm (9.5 L/min) standard flow rate
- Tub spout
- Polished chrome finish

### Model Numbers

- S-4702..... Tub and Shower System with Symmons Temptrol® pressure balancing mixing valve p/n S-4002-BODY
- S-4702-TRM..... Trim only, valve and diverter must be ordered separately
- S-4002-BODY..... Symmons Temptrol® pressure balancing mixing valve without trim
- S-4002-X-BODY...Symmons Temptrol® pressure balancing mixing valve without trim. Valve includes integral service stops to allow water shut-off for service.

### Finish Options / Modifications

Append appropriate -suffix to model number.

- STN Satin nickel
- Polished chrome (standard finish)

### Options / Modifications

Append appropriate -suffix to model number.

- IPS 1/2 inch female IPS connections on Symmons Temptrol® mixing valve
- X Symmons Temptrol® pressure balancing mixing valve includes integral service stops to allow water shut-off for service, p/n S-4002-X-BODY. (Option only applies when ordering model S-4702)
- L/HD Showerhead not included  
Includes showerhead arm and flange only
- 2.0 2.0 (7.6 L/min) flow rate restrictor
- 1.5 1.5 (5.7 L/min) flow rate restrictor
- LAM Metal finish insert handle .....
- LR Lever handle .....



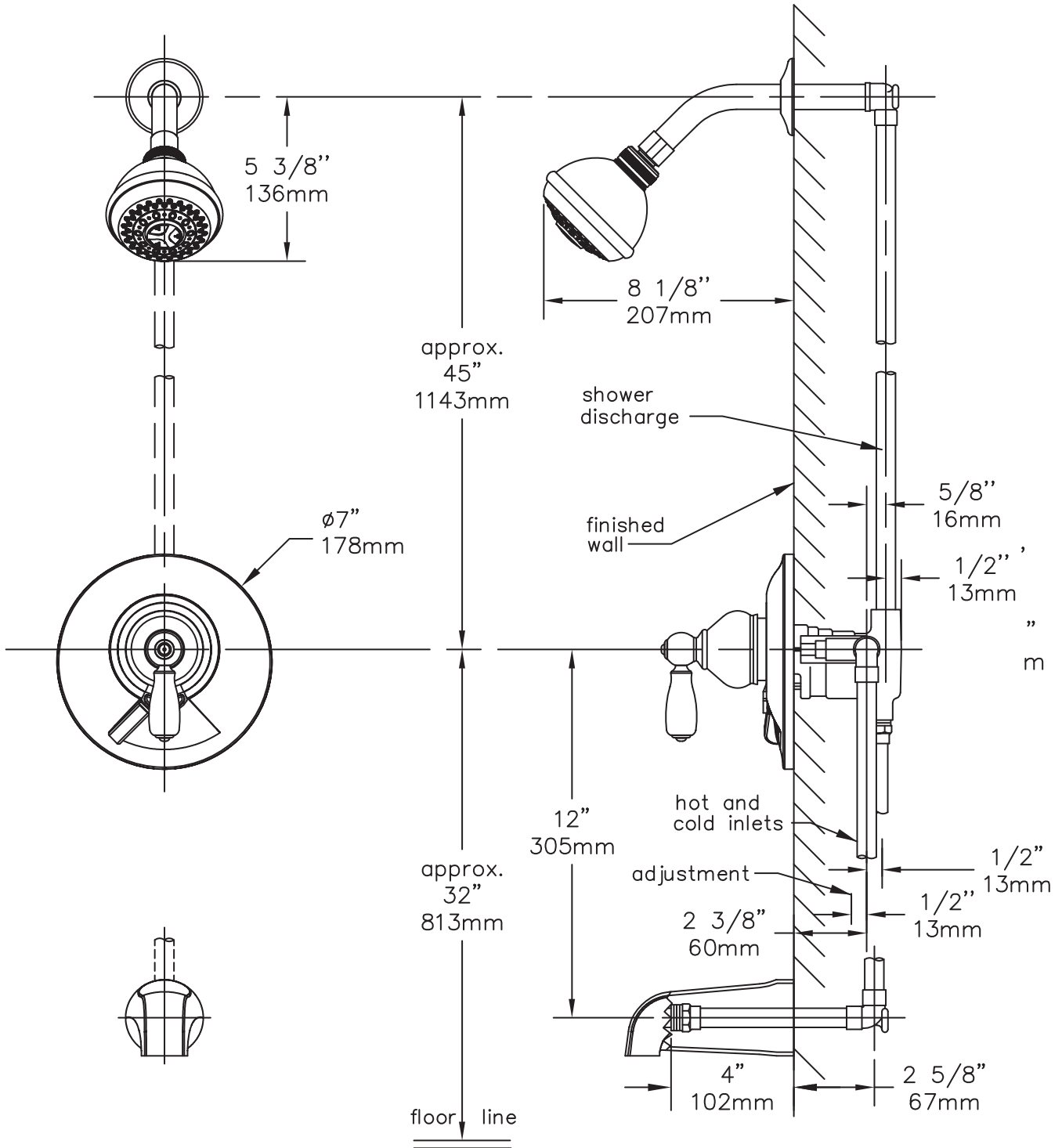
### Standards / Certifications

ASME A112.18.1-2005/CSA B125.1-05

### Warranty

- Limited Lifetime - to the original end purchaser in consumer installations.
- 5 years - for commercial installations

# Dimensions *Allura Tub and Shower System, S-4702*



**Note:** *Dimensions subject to change without notice.*