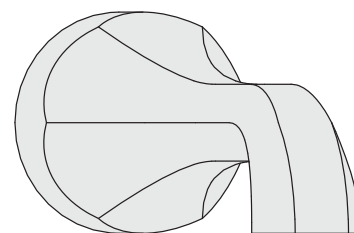


Location:



Tub Spout 069

Specification Submittal



Model Numbers

- 069 Tub Spout

Feature Highlights

- Canterbury style tub spout
- 1/2 inch inlet
- Polished chrome finish (standard)

Alternate Finish Options

Append appropriate -suffix to model number.

- STN Satin nickel finish
- ORB Oil Rubbed Bronze
- PNL Polished nickle finish
- Polished chrome finish (standard)

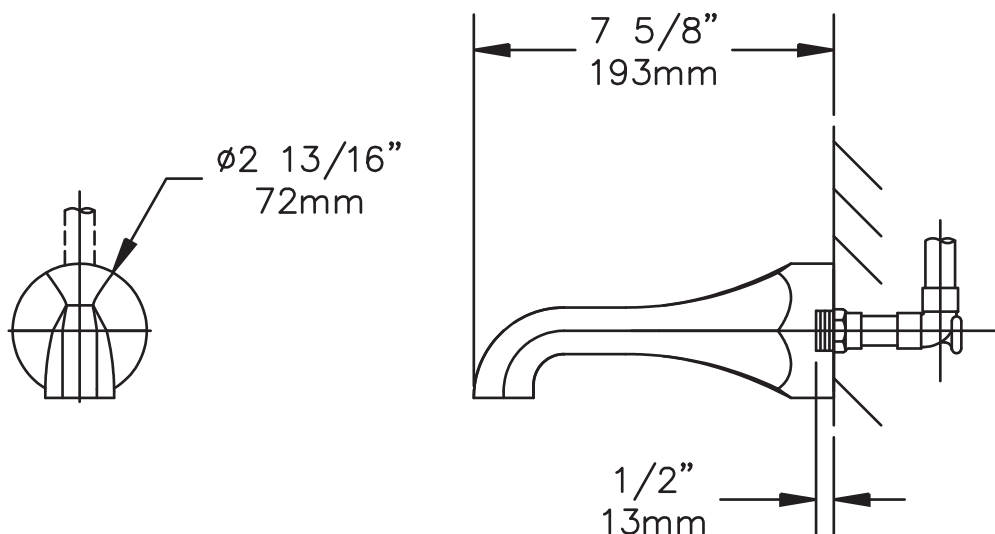
Standards / Certifications

ASME A112.18.1-2005/CSA B125.1-05

Warranty

- Limited Lifetime - to the original end purchaser in residential / consumer installations.
- 5 years - for commercial installations

Dimensions Tub Spout, 069



Note: Dimensions subject to change without notice.

Symmons Industries, Inc. ■ 31 Brooks Drive ■ Braintree, MA 02184
(800) 796-6667, (781) 848-2250 ■ Fax (800) 961-9621, (781) 664-1300
Website: www.symmons.com ■ Email: customerservice@symmons.com

©2008 Symmons Industries, Inc. Printed in U.S.A. ■ 061509

