



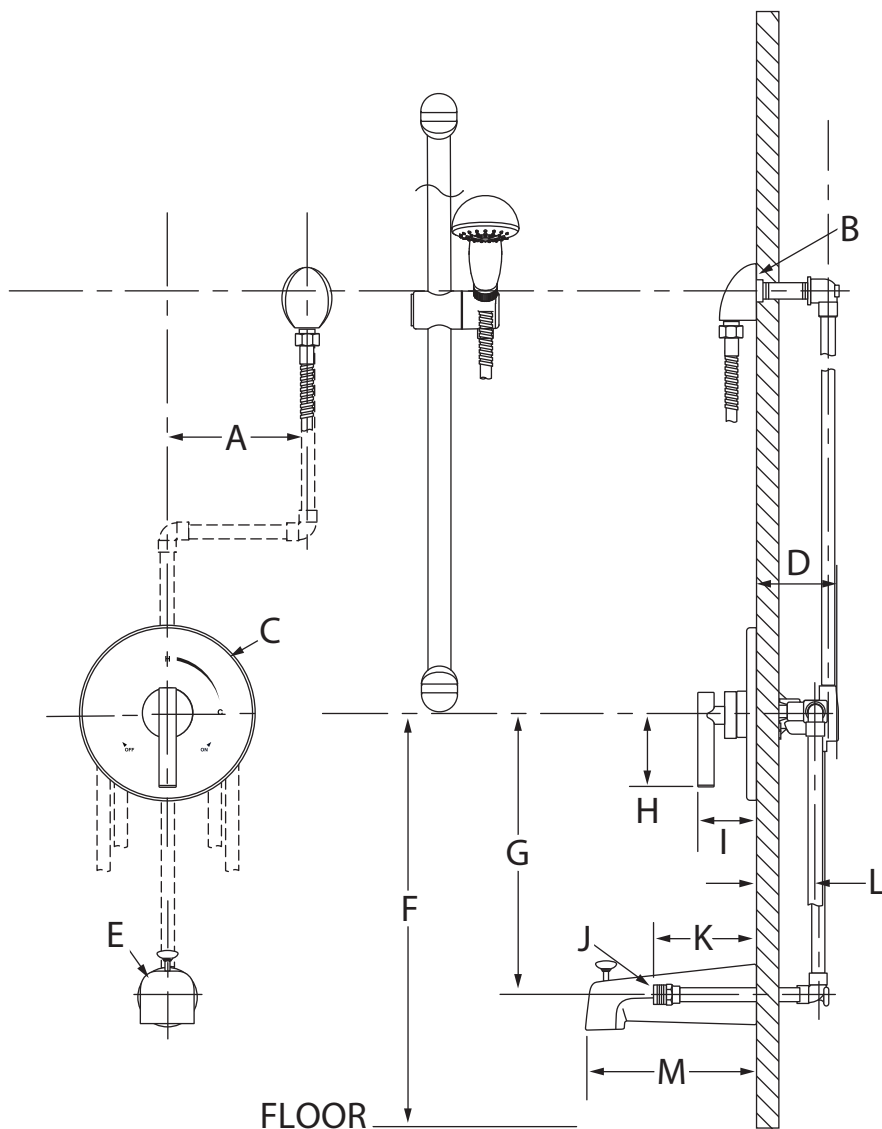


3504-H321-V-CYL-B
Tub/Hand Shower System
Specification Submittal



Model Numbers	Options/Modifications Cont.
<input type="checkbox"/> 3504-H321-V-CYL-B <i>Dia Tub/Hand Shower System</i>	<input type="checkbox"/> -H3536 36" decorative slide/grab bar with ADA hand shower <input type="checkbox"/> -IPS 1/2" female IPS connections <input type="checkbox"/>  -LP Loop handle <input type="checkbox"/>  -LR Lever handle <input type="checkbox"/> -L/HS Less hand shower <input type="checkbox"/> -QD Quick-disconnect on hand spray units <input type="checkbox"/> -R 60" white vinyl hose in place of 60" metal hose <input type="checkbox"/> -REB Rebuild trim kit, includes TA-10 and TA-4 <input type="checkbox"/> -REV Reverse coring, hot on right, cold on left, for back to back installations <input type="checkbox"/> -SS <i>Slip spout (available in chrome and STN finish only)</i> <input type="checkbox"/> -T2 Alternative 361DTS, square diverter tub spout <input type="checkbox"/> -T724 24" slide bar/grab bar with ADA hand shower in place of standard hand shower unit <input type="checkbox"/> -T736 36" slide bar/grab bar with ADA hand shower in place of standard hand shower unit <input type="checkbox"/> -T748 48" slide bar/grab bar with ADA hand shower in place of standard hand shower unit <input type="checkbox"/> -TRM Trim only, valve not included <input type="checkbox"/> -VB Elevated vacuum breaker <input type="checkbox"/> -VP Vandal resistant escutcheon screws in place of standard screws <input type="checkbox"/> -X Integral service stops - allows water shutoff at valve for service <input type="checkbox"/> -X-CHKS Integral check stops - for use in installations where a positive shut-off device is used downstream of mixing valve <input type="checkbox"/> -BBZ Brushed Bronze finish (not available with H35 or T7 series slide bar/grab bar modifications) <input type="checkbox"/> -MB Matte Black finish (not available with H35 or T7 series slide bar/grab bar modifications) <input type="checkbox"/> -STN Satin Nickel finish <p>Note: Append appropriate -suffix to model number.</p>
<p>Specification</p>	
<p>Tub/hand shower system powered by the Temptrol[®] pressure-balancing valve. Features adjustable stop screw to limit handle turn, diverter tub spout, wall elbow, hand shower cradle, 60" flexible metal hose, 1 mode hand shower, dual checks for backflow protection and standard 2.5 gpm (9.5 L/min) flow restrictor. Components made from metal and nonmetallic materials, plated in standard polished chrome finish. For optional in-line vacuum breaker order p/n EF-109</p>	
<p>Compliance</p>	
<p>-ASME A112.18.1/CSA B125.1</p> 	
<p>Warranty</p>	
<p>Limited Lifetime - to the original end purchaser in consumer/residential installations. 5 Years - for industrial/commercial installations. Refer to www.symmons.com/warranty for complete warranty information.</p>	
<p>Options/Modifications</p>	
<input type="checkbox"/>  -1.5 1.5 gpm (5.7 L/min) flow restrictor <input type="checkbox"/> -2.0 2.0 gpm (7.6 L/min) flow restrictor <input type="checkbox"/> -72 72" hose in place of 60" hose <input type="checkbox"/> -ADACHS ADA hand shower wand (chrome) <input type="checkbox"/> -ADAHS ADA hand shower wand (white) <input type="checkbox"/> Delete Chrome plastic escutcheon on valve with color graphics/indicators in place of standard brass escutcheon <input type="checkbox"/> Suffix B <input type="checkbox"/> -H323-V 3 mode hand shower unit with slide bar in place of standard hand shower unit <input type="checkbox"/> -H323-V-48 3 mode hand shower unit with 48" slide bar in place of standard hand shower unit <input type="checkbox"/> -H3524 24" decorative slide/grab bar with ADA hand shower	

Dimensions



Measurements	
A	6", 152 mm
B	Male 1/2-14 NPT thread must be recessed 1/4" from finished wall
C	Ø 7-1/2", 191 mm
D	3-1/2", 89 mm
E	Ø 2-1/2", 64 mm
F	32", 813 mm
G	12", 305 mm
H	3", 76 mm
I	2-7/8", 73 mm
J	Male 1/2-14 NPT fitting must protrude 5 1/2" (140 mm) from finished wall
K	5-1/2", 140 mm
L	Rough-in 2-3/8" ± 1/2", 60 mm ± 13 mm
M	7", 178 mm

Notes:

- 1) All dimensions measured from nominal rough-in (see L as reference).
- 2) Dimensions subject to change without notice.