



SYMMONS® Degas®

Widespread Lavatory Faucet SLW-5412 Installation and Service Instructions



Model Number

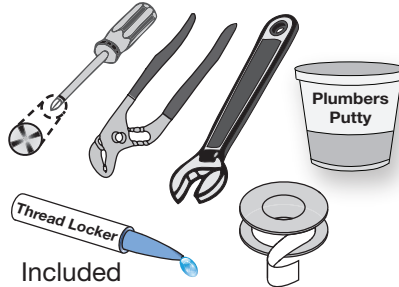
SLW-5412..... Lavatory faucet with pop-up drain

Decorative Finish Code

Append to part numbers when applicable

- STN Satin Nickel
- ORB Oil Rubbed Bronze
- Chrome (standard)

Tools & Materials



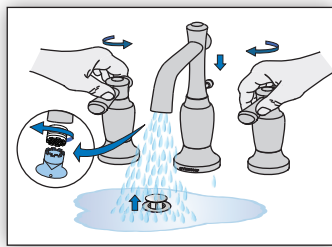
Included

☎ Need Help?

Contact Symmons customer service at
P: (800) 796-6667, F: (800) 961-9621
Email: gethelp@symmons.com
Monday - Friday 7:30 am - 6:00 pm EST

💻 Please check Symmons website for technical help, the latest product information and warranty policy.
www.symmons.com/service

Quick Install Guide Degas Widespread Lavatory Faucet, SLW-5412



Step 9
Flush lines and check for leaks

Step 2
Attach handles

Step 1
Attach control valves

Step 3
Install lift rod & attach spout

Step 4
Connect hoses between valves and spout

Step 8
Connect supply lines
(supply hoses not included)

Removable position
Non-Removable position

Step 7
Connect lift rod, clevis strap, pivot rod and adjust linkage

Step 5
Attach drain body to flange

Step 6
Install stopper and pivot rod

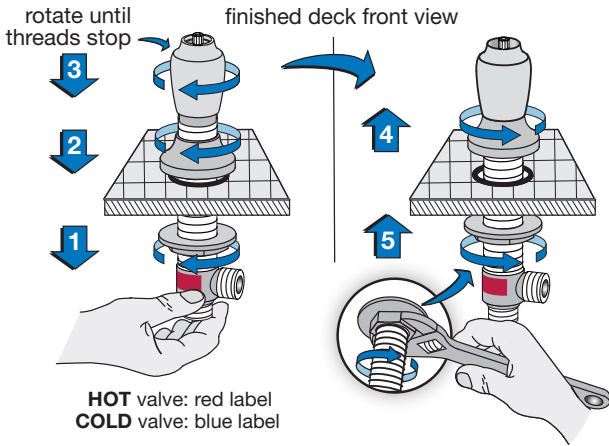
⚠ Pipe Sealant

⚠ WARNING: This product can expose you to chemicals including lead, which is known to the state of California to cause cancer, birth defects, or other reproductive harm. For more information, go to www.P65Warnings.ca.gov.

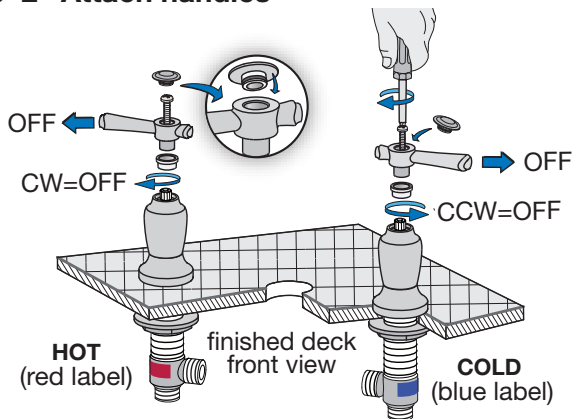
Installation Instructions

Caution: If replacing an older faucet ensure water supply is turned OFF before removing, then open faucet valves to relieve water pressure.

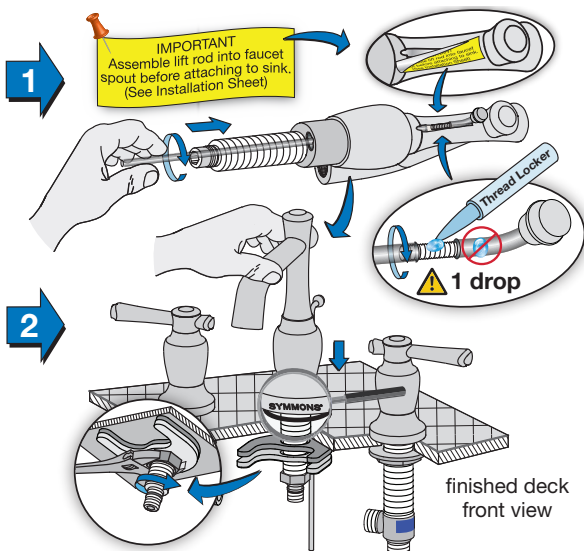
Step 1 Attach hot & cold control valves



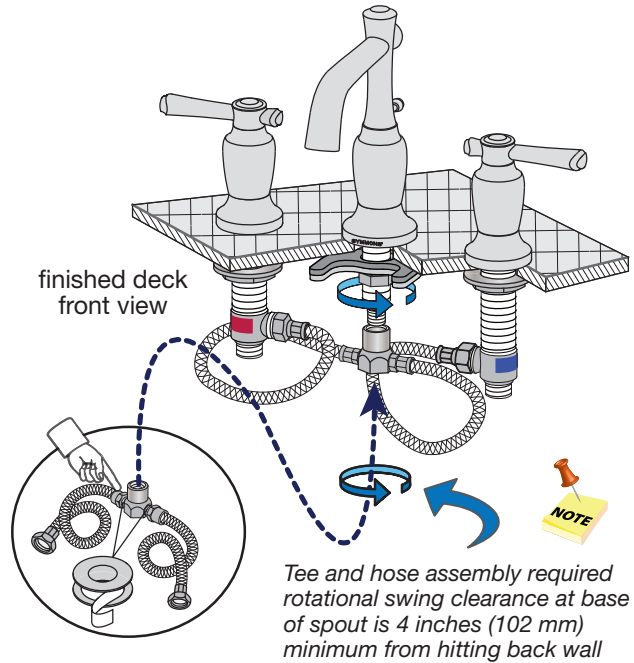
Step 2 Attach handles



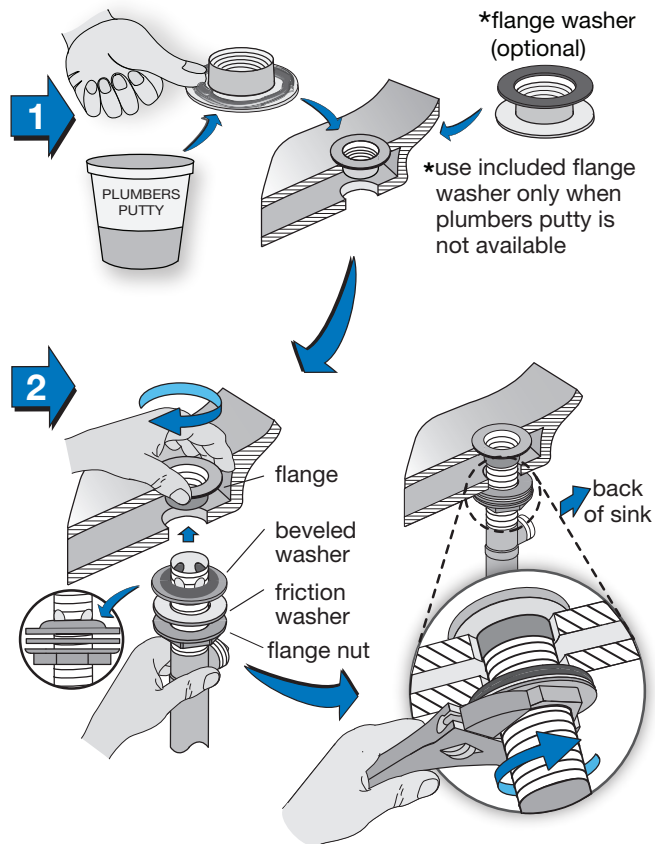
Step 3 Install lift rod and attach spout



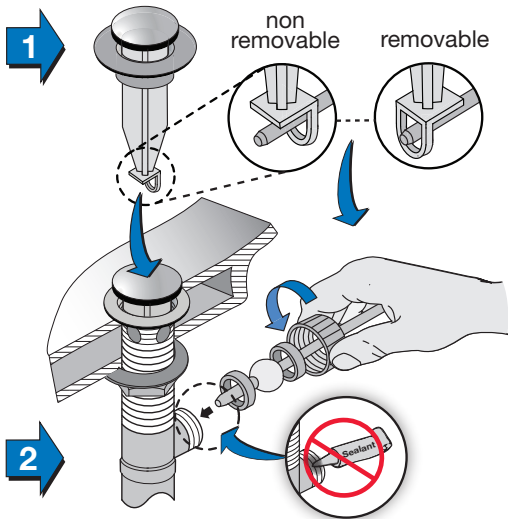
Step 4 Connect hoses between valves & spout



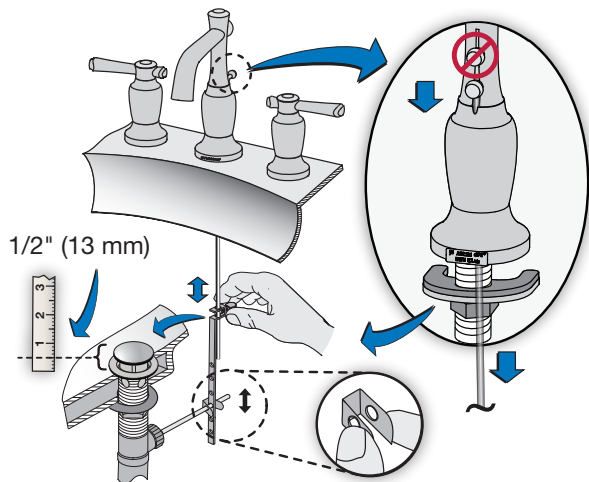
Step 5 Attach drain body to flange



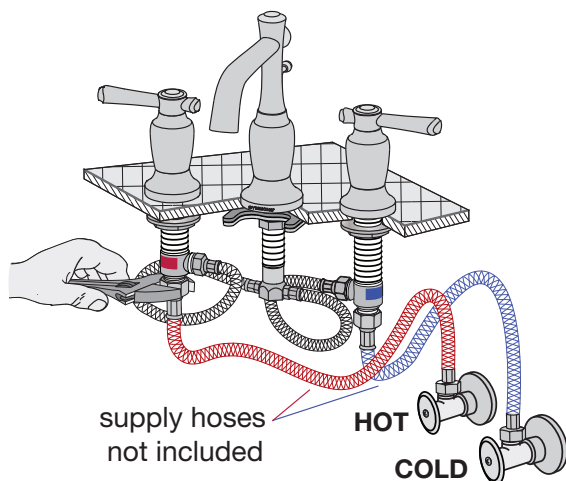
Step 6 Install stopper and pivot rod



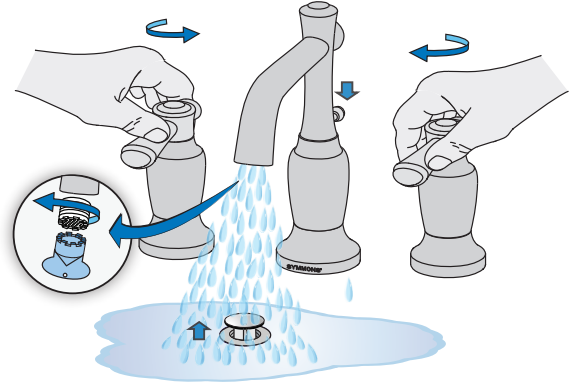
Step 7 Connect lift rod and adjust linkage



Step 8 Connect supply lines



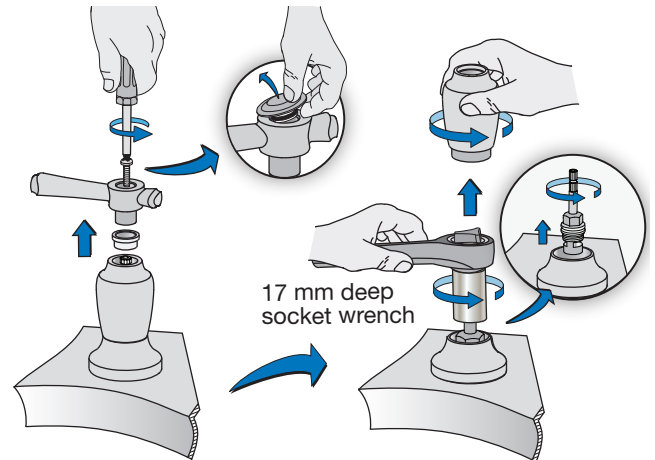
Step 9 Flush water supply lines



Care of faucet finish

Clean finish area by using mild soap and water or non-abrasive cleaner and then rinse immediately. A non-abrasive wax may be used to preserve finish area.

Valve cartridge replacement

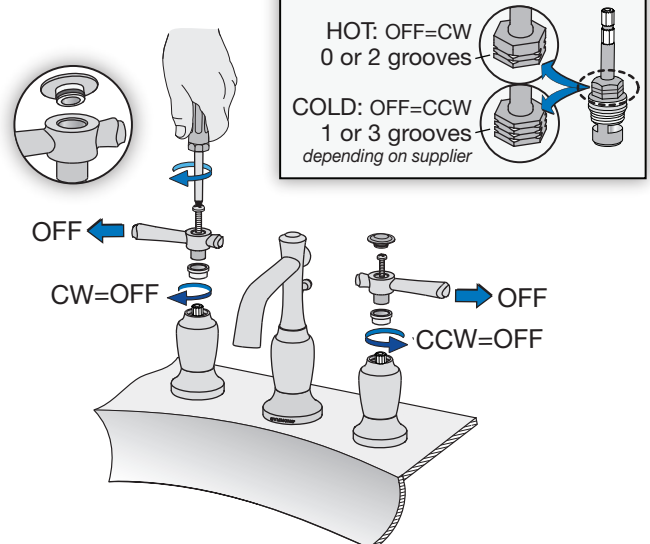


Replace handles

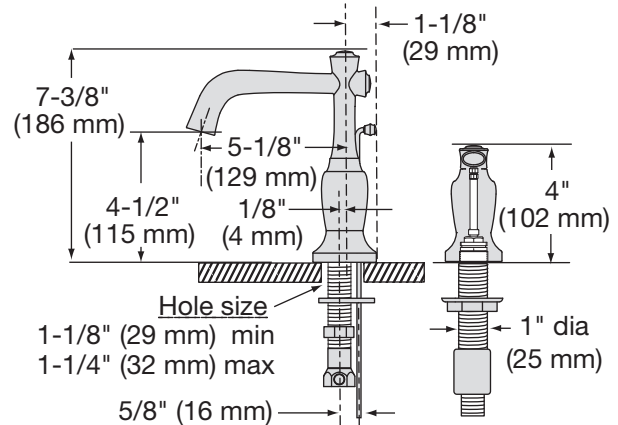
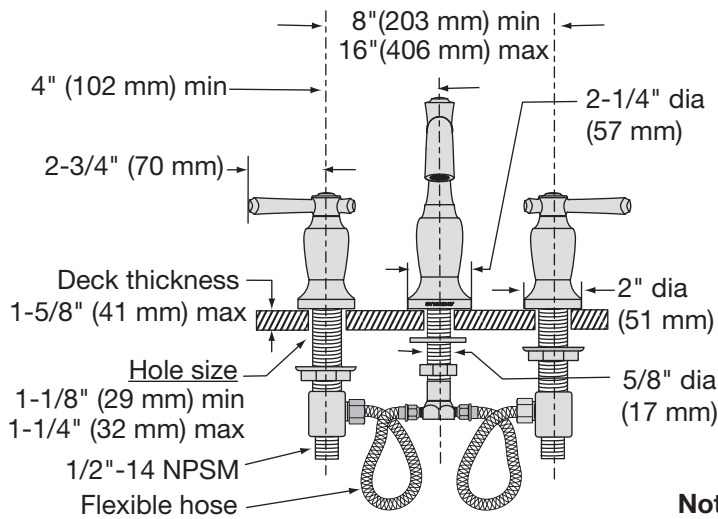
Lead free brass valve cartridges
(reference replacement parts table)

HOT: OFF=CW
0 or 2 grooves

COLD: OFF=CCW
1 or 3 grooves
depending on supplier

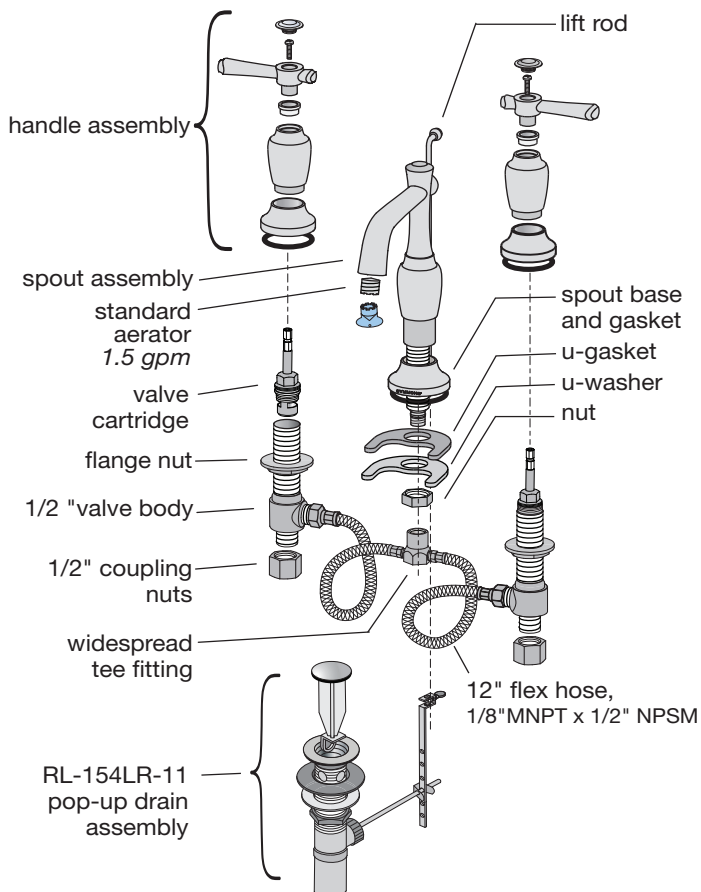


Dimensions Degas Widespread Lavatory Faucet, SLW-5412



Note: Dimensions subject to change without notice

Parts Assembly Degas Widespread Lavatory Faucet, SLW-5412



Replacement Part Kits

Part Number	Item
WSF-542L-KIT *.....	Single handle kit plug button phillips panhead (M4x. 7x16 mm) handle bushing handle escutcheon base and gasket
LN-333-KIT.....	Aerator flow rates 2.2 gpm (8.3L/min)
FLR-102-1.5-KIT.....	1.5 gpm (5.7L/min)
LN-742-KIT.....	1.0 gpm (3.8L/min)
	aerator removal tool included in all kits, p/n LN-383
KN-114E.....	Valve cartridge, lead free brass HOT: OFF = CW 0 or 2 grooves
KN-113E.....	COLD: OFF = CCW 1 or 3 grooves
RL-205 *	Lift rod

Ordering replacement parts:

Call Symmons customer service at (800) 796-6667, M-F 7:30 am - 7:30 pm EST or check our website at www.symmons.com for a list of Symmons distributors.

* Note: When ordering replacements parts for faucets with an optional decorative finish, append appropriate three letter finish suffix code to part numbers marked with an asterisk (*).

Symmons Industries, Inc. ■ 31 Brooks Drive ■ Braintree, MA 02184

Phone: (800) 796-6667 ■ Fax: (800) 961-9621

Website: symmons.com ■ Email: gethelp@symmons.com

Copyright © 2018 Symmons Industries, Inc. ■ ZV-1020 REV D ■ 080118

SYMMONS[®]
the smart choice™