

## Echo™ Shower Valve

### FEATURES:

- Pressure balancing and temperature regulating ceramic disc cartridge rated to work with shower heads down to 1.75 gpm
- Adjustable temperature limit stop
- Integral stops
- Includes rough-in plate
- 1/2" NPT Male & 1/2" Copper Sweat inlets
- 1/2" NPT Male & 1/2" Copper Sweat outlets
- Works with Speakman Echo shower valve trim, CPT-12000
- Counter clockwise activation

### TRIM OPTIONS:

- CPT-12000

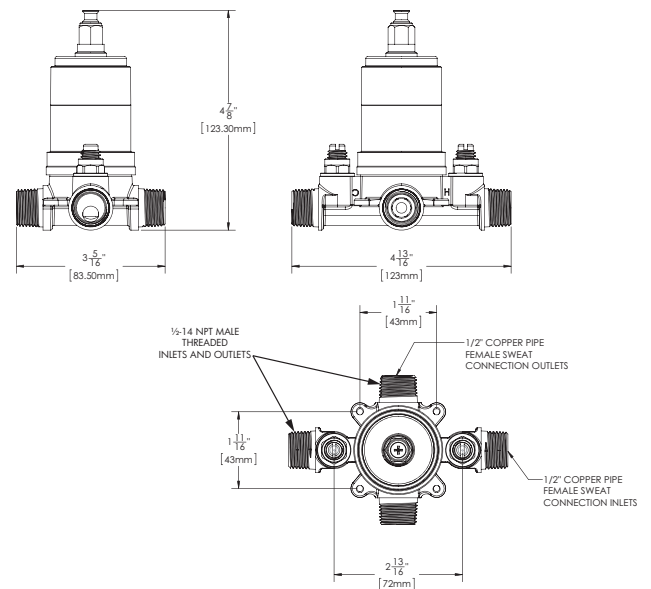
### STANDARDS:

- ASME A112.18.1/CSA B125.1 certified
- ASSE 1016 certified

### WARRANTY:

Visit [speakman.com](http://speakman.com) for full product warranty information

- 5 Year Limited Warranty (commercial)
- 5 Year Limited Warranty (residential)



1. All dimensions are in inches (millimeters) unless otherwise specified and are subject to change without notice. 2. For ADA mounting locations, consult ADAAG, ANSI A117.1, and state regulations.

Architect/Engineer Approval Space:

P: 800-537-2107

F: 800-977-2747

W: [WWW.SPEAKMAN.COM](http://WWW.SPEAKMAN.COM)

R: 02-NOVEMBER 2019