

# SPEAKMAN® SE-4000

## Gravityflo® Portable Eyewash

### FEATURES:

- 21 gallon capacity tank
- Activated by pull down spray arms
- Universal emergency sign included

### OPTION: Add suffix to model #

- SE-4920: Drench hose attachment

### COMPLIANCE:

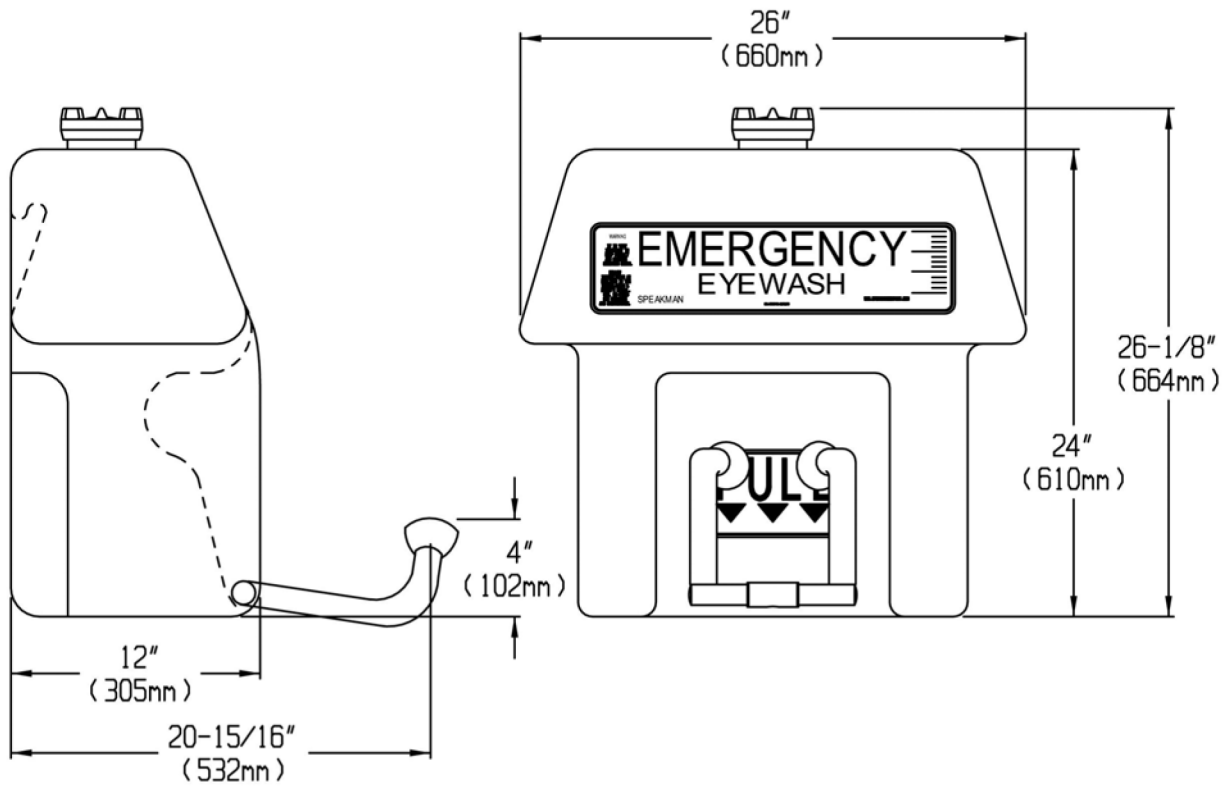
- Certified to ANSI/ISEA Z358.1

### WARRANTY:

- 3 year limited



**DIMENSIONS:** NOTE: 1. All dimensions are in inches (millimeters) unless otherwise specified and are subject to change without notice.



## Gravityflo® Portable Eyewash

### MODELS:

- ❑ SE-4300: Gravityflo® portable eyewash
- ❑ SE-4380: Gravityflo® portable eyewash includes SE-4360 transportation cart

### FEATURES:

- 20 gallon capacity tank, high density molded polyethylene
- Includes a side drench hose (SE-4920)
- Molded plastic spray outlets
- Elastomer pull strap activator
- Shelf or wall mount (bracket included)
- Plastic fill cap with integral tamper prevention
- Integral ½ in. NHT fitting for attachment of drench hose or to drain the unit for cleaning
- Integral basin drain with 1/2 in. NHT fitting
- Integral eyewash sign included
- Unit exceeds the minimum 0.4 gpm for 15 minutes as stated by ANSI

### OPTION:

- Transportation cart  SE-4360
- Freeze protected jacket  SE-4930

### COMPLIANCE:

- Certified to ANSI/ISEA Z358.1

### WARRANTY:

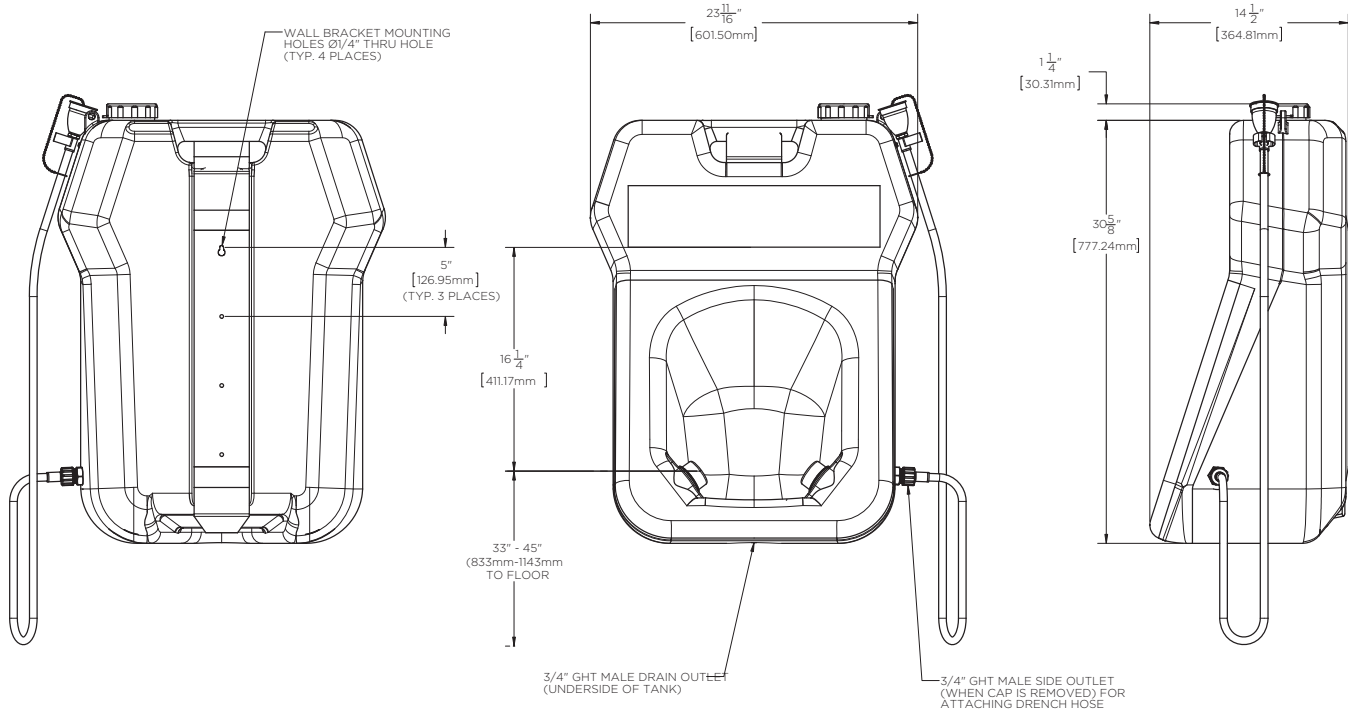
- 3 year limited



SE-4300



### SE-4300



# SPEAKMAN® SE-4400

## GravityFlo® Portable Eyewash

### FEATURES:

- Portable gravity-operated eyewash
- 9 gallon capacity tank
- Pull-down activation tray
- Hands-free operation
- Shelf, table or wall mount (bracket included)
- Molded plastic sprays
- Plastic fill cap with integral tamper prevention
- Universal emergency sign included

### COMPLIANCE:

- Certified to ANSI/ISEA Z358.1

### WARRANTY:

- 3 year limited



**DIMENSIONS:** NOTE: 1. All dimensions are in inches (millimeters) unless otherwise specified and are subject to change without notice.

