

# ROHL

Authentic Luxury for Kitchen and Bath™

www.rohlhome.com



## PERRIN & ROWE® EDWARDIAN SINGLE HOLE, DUAL HANDLE LAVATORY FAUCET

ROHL Perrin & Rowe® Bath

### U.3626X-2

#### FEATURES

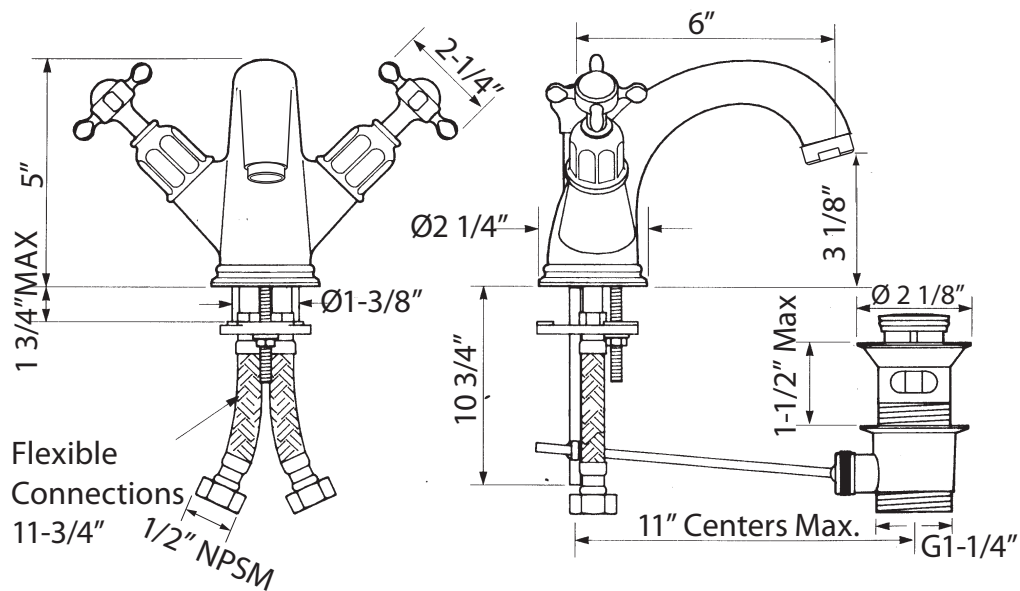
- Fixed spout
- Spout, valve housing, handles, and pop-up made from solid brass
- 1 x 1 3/8" hole cutout
- 1/4-turn ceramic disc valves
- Pop-up drain, included with 1 1/4" pipe
- Unique handle fixing clip, engineered to increase the life of the valve
- 1/2" NPSM flexible stainless steel hose connections
- 1.5 GPM

#### FINISHES

- Polished Chrome
- Polished Nickel
- Satin Nickel
- Inca Brass
- English Bronze

#### WARRANTY

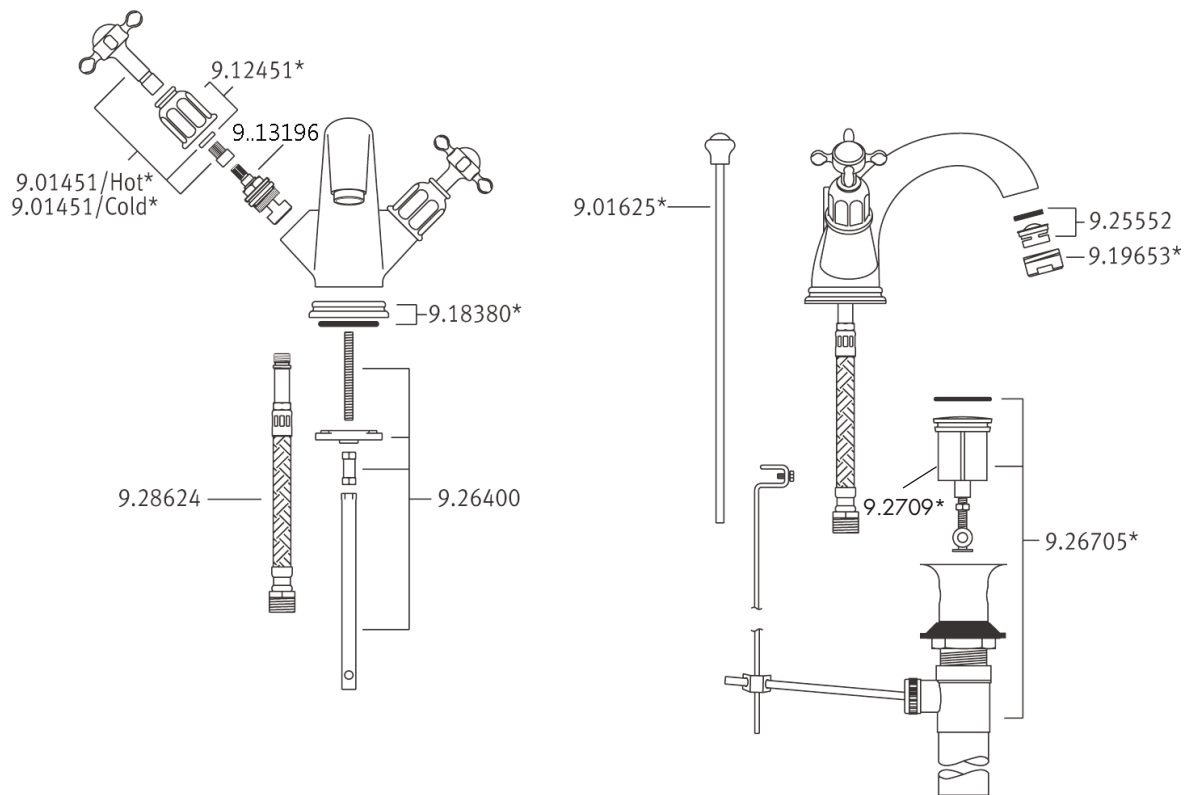
- Limited Lifetime



\* For CA/VT, place a "-2" at end of model number for code compliant product. (Example A3608LMAPC-2)

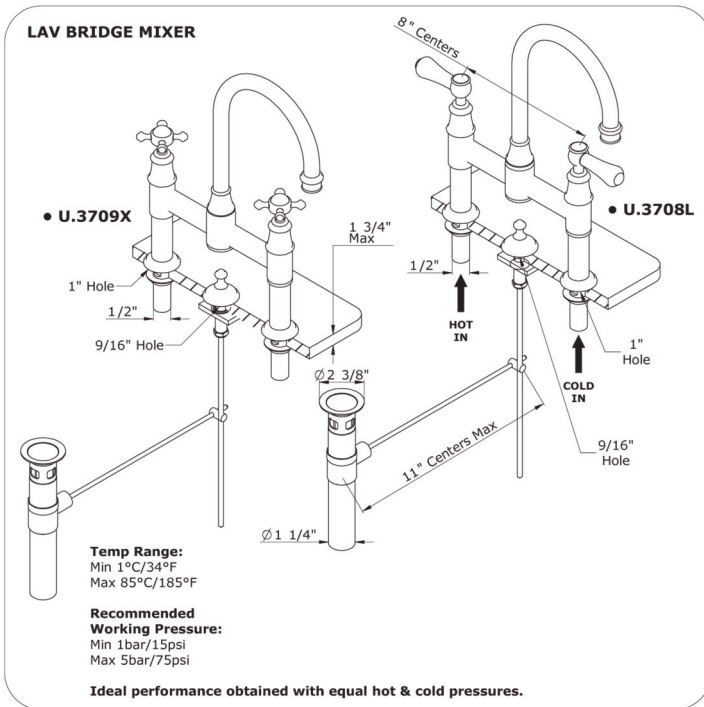
Consult your local ROHL showroom for additional information and specifications. For complete warranty details and a list of showrooms, go to [www.rohlhome.com](http://www.rohlhome.com).

## U.3626X Spare Parts





The Georgian Bathroom Collection  
Installation & User Guide



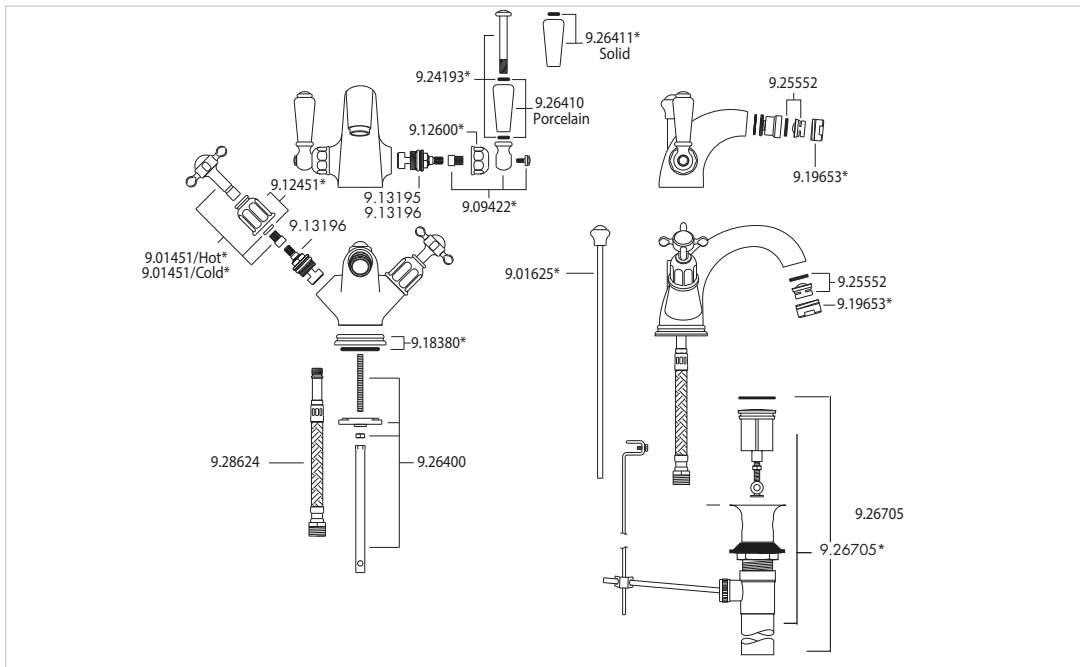


Fig 2.  
Spare Parts - \*Where indicated specify color

## OPERATION

Ceramic disc valves are fitted as standard to this mixer faucet. Flow from FULLY OFF to FULLY ON is achieved by rotating the handles a quarter turn.

When using pop up waste, push down on plug to seal the waste prior to filling the bowl. Push down on pop up knob to discharge waste water.

## CARE & MAINTENANCE

Occasional cleaning with warm soapy water, followed by a polish with a soft cloth is all that is required to keep the plated finish in good condition.

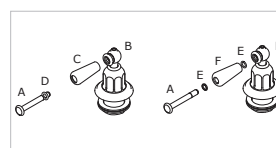
Do not use proprietary abrasive liquids, powders, or pads to clean the faucet. You will damage the plated finish and void your warranty.

An aerator is fitted to the outlet of the spout, this may need occasional cleaning. This will be evident when the water flow slows down to an unacceptable level. To accomplish this unscrew the outlet in a counter-clockwise direction and remove the aerator, rinse thoroughly in clean water and re-install.

## HANDLE VARIANTS

Both porcelain and solid levers are included with U.3635L and U.3685L models.

## HOW TO CHANGE



- 1) Unscrew lever bolt **A** from lever ball **B** by hand.
- 2) Remove metal lever insert **C** and seal **D**.
- 3) Place one of the replacement seals **E** onto lever bolt **A** and slide to the end. Place porcelain lever insert **F** onto lever bolt **A** and slide to the end of the bolt.
- 4) Place the other replacement seal **E** onto lever bolt **A** and slide to the end of the porcelain lever insert.
- 5) Screw lever bolt and porcelain lever insert assembly back into lever ball **B** and screw down tightly by hand.

## SPARE PARTS AND SERVICE

ROHL  
3 Parker  
Irvine  
CA 92618  
(714) 557-1933