



Wall Mounted Low Level Bath Spout

ROHL Perrin & Rowe Bath

U.3585

FEATURES

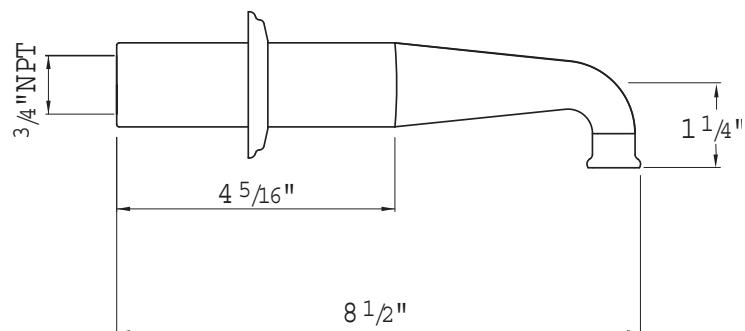
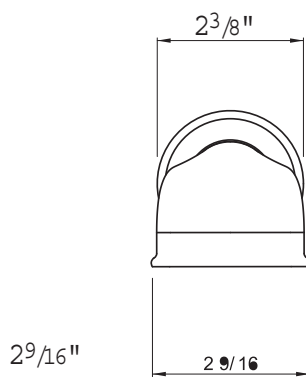
- 8" wall mounted tub filler
- Solid brass construction
- 3/4" female inlet
- For use with: separate wall valves, concealed therm systems and exposed therm systems

FINISHES

- Polished Chrome
- Polished Nickel
- Satin Nickel
- Inca Brass
- English Bronze

WARRANTY

- Limited Lifetime



U.3585 Spare Parts

