

Water Dispenser Faucet
3190-5613



Features

- Solid brass construction
- Quarter-turn washerless ceramic disc valve cartridge
- Contemporary lever handle design
- Spout assembly with integral supply hoses
- Spring-loaded, normally closed lever handle
- 6-1/4" (15.9 cm) spout height at outlet
- 4" (10.2 cm) spout reach (c-c)
- For single hole configurations
- 1 gallon (3.6 liters) per minute maximum flow rate*

**A Water Dispenser flow rate of approximately 1 gpm or less is typical but will vary depending on installation specific factors including in-line water pressure and water filtration system.*

Codes / Standards Compliance

Meets or exceeds the following at date of manufacture:

- ASME A112.18.1/CSA B125.1
- IAPMO/cUPC
- NSF 61
- Energy Policy Act of 1992
- All applicable US Federal and State material regulations

Colors / Finishes

- 10B: Oil Rubbed Bronze
- 15: Polished Nickel
- 15S: Satin Nickel - PVD
- 26: Polished Chrome
- Other: Refer to the Newport Brass catalog for additional color/finish options.

Specified Model

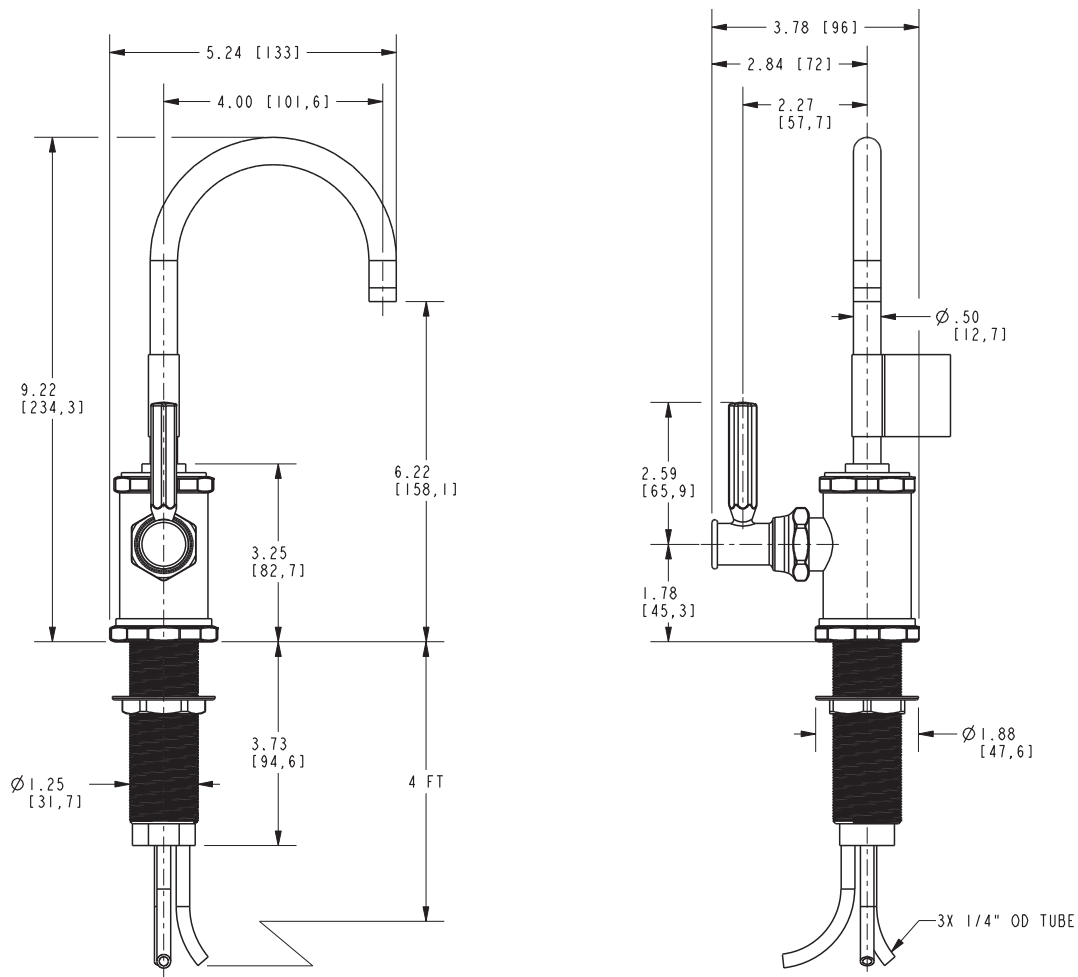
Model	Description	Colors Finishes
3190-5613	Hot Water Dispenser Faucet	<input type="checkbox"/> 10B <input type="checkbox"/> 15 <input type="checkbox"/> 15S <input type="checkbox"/> 26 <input type="checkbox"/> Other
5-036	Point-of-Use Water Heater (115V, 140°F to 190° range)	

Product Specification Add "Color / Finish" suffix to Model number, below.

The Hot Water Dispenser Faucet shall be made of solid brass construction. Faucet shall incorporate a spout assembly with integral supply hoses and feature a quarter-turn washerless ceramic disc valve cartridge. Faucet shall incorporate a transitional lever handle design and feature a spring-loaded, normally closed hot lever mechanism. Hot Water Dispenser Faucet shall have a 1 gallon (3.6 liters) per minute maximum flow rate and accommodate single hole configurations. Product shall incorporate a 6-1/4" (15.9 cm) spout height at outlet and a 4" (10.2 cm) spout reach (c-c). Hot Water Dispenser Faucet shall be Newport Brass Model 3190-5613/. [Point-of-Use Water Heater shall be Newport Brass Model 5-036].

3190-5613

PRODUCT DIMENSIONS *(Units are in inches)*



Heaney Water Dispenser Faucet 3190-5613