

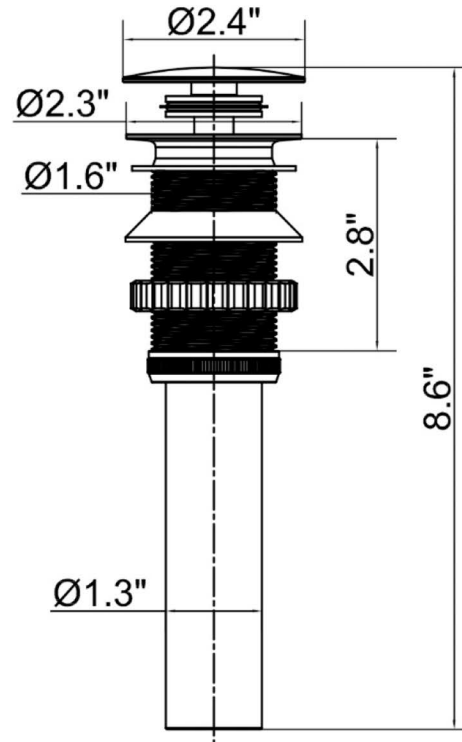
Accessories Collection

Umbrella Drain without Overflow



MODEL:
NS-UDMB

Umbrella Top finish detail



PROJECT/ NAME:

ARCHITECT/CONTRACTOR:

MODEL:

JOB NOTES:

FEATURES

- Matte Black Finish
- Push-pop spring mechanism
- Brass construction (installation required)
- Without overflow, for sinks without overflow
- Fits minimum 1.5" minimum hole (standard US vanity size)

Complies with:

- ASME A112.18.2
- CSA B125.2