



Buy it for looks. Buy it for life.®

*There is more than 1 version of this model.  
Page down to identify the version you have.*

**FAUCET DESCRIPTION**

- Versatile, hands-free convenience in the kitchen
- PowerClean™ Spray technology
- Allows users to control the faucet in 3 unique ways: Wave Sensor, Ready Sensor and familiar handle
- Powered by 6 AA batteries or optional AC adapter with power splitter
- Reflex™ pulldown system offers smooth operation, easy movement and secure docking
- Metal construction with various finishes identified by suffix
- Quick connect installation
- Pulldown spray with 68" braided hose
- Control box flexible supply lines with 3/8" compression fittings
- High arc spout provides height and reach to fill or clean large pots while pull down wand provides the maneuverability for cleaning or rinsing

**OPERATION**

- Lever style handle
- Temperature controlled by 100° arc of handle travel
- Operates with less than 5 lbs. of force
- Operates in stream or spray mode in the pulldown or retracted position
- Spout rotates 100 degrees

**FLOW**

- Flow is limited to 1.5 gpm (5.7 L/min) at 60 psi

**CARTRIDGE**

- 1255™ Duralast™ cartridge

**STANDARDS**

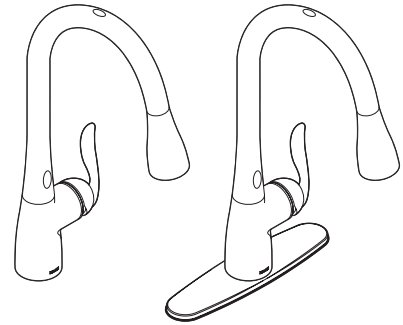
- Third party certified to IAPMO Green, ASME A112.18.1/CSA B125.1 and all applicable requirements referenced therein including NSF 61/9G & 372
- Meets CalGreen and Georgia SB370 requirements
- Complies with California Proposition 65 and with the Federal Safe Drinking Water Act
- The backflow protection system in the device consists of two independently operating check valves, a primary and a secondary which prevent backflow
- ADA ♿ for lever handle

**WARRANTY**

- Limited lifetime warranty against leaks, drips, finish defects to the original consumer purchaser
- 5 year warranty electronic operation defects to the original consumer purchaser
- 5 year warranty against leaks, drips, finish defects if used in commercial installations
- 1 year warranty against electronic operation defects if used in commercial installations

Visit [www.moen.com/support](http://www.moen.com/support) for complete details and limitations

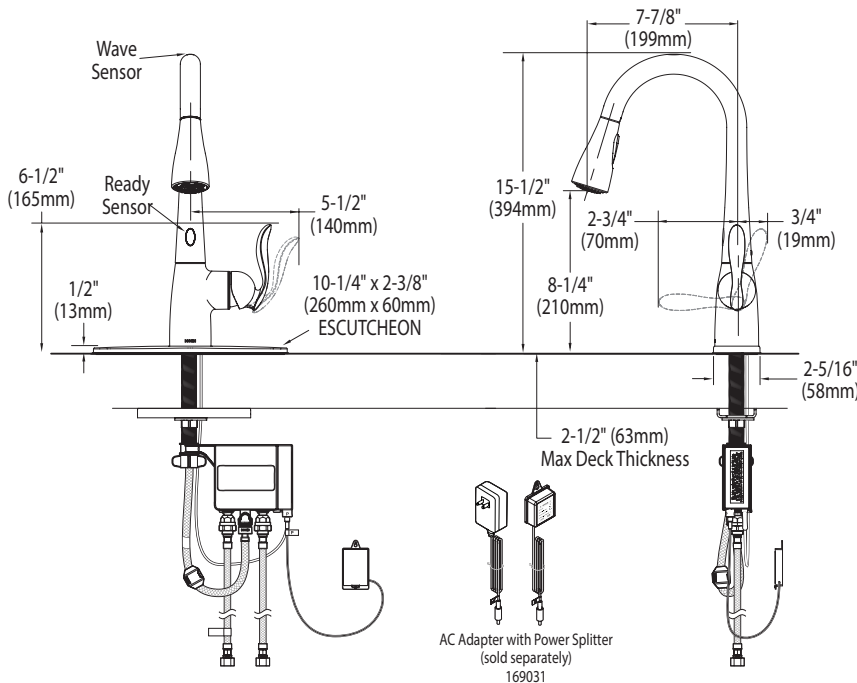
# Specifications



**Arbor® with MotionSense™  
Single Handle High Arc  
Pulldown Kitchen Faucet**

**Models:** 7594E series

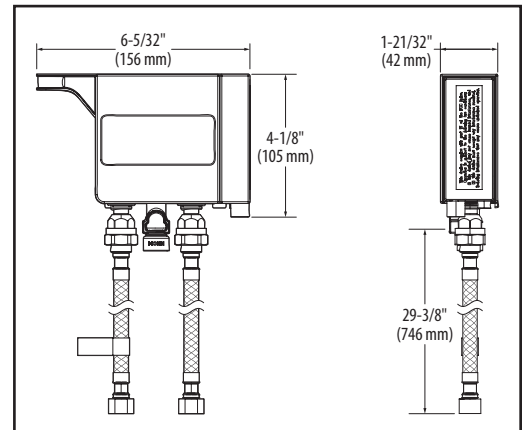
**NOTE:** THIS FAUCET IS DESIGNED TO BE  
INSTALLED THROUGH 1 HOLE, 1-1/2"  
(38mm) MIN. DIA.



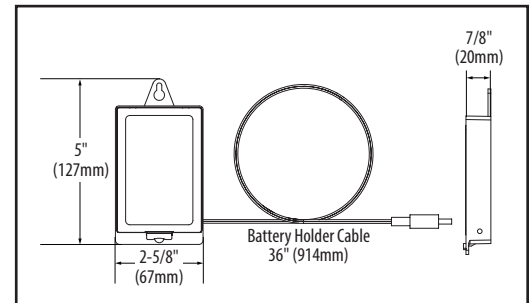
**CRITICAL DIMENSIONS**

(DO NOT SCALE)

**Close up view of Control Box**



**Battery Holder**





Buy it for looks. Buy it for life.®

### FAUCET DESCRIPTION

- Versatile, hands-free convenience in the kitchen
- Allows users to control the faucet in 3 unique ways: Wave Sensor, Ready Sensor and familiar handle
- Powered by 6 AA batteries or optional AC adapter with power splitter
- Reflex™ pulldown system offers smooth operation, easy movement and secure docking
- Metal construction with various finishes identified by suffix
- Quick connect installation
- Pulldown spray with 68" braided hose
- Control box flexible supply lines with 3/8" compression fittings
- High arc spout provides height and reach to fill or clean large pots while pull down wand provides the maneuverability for cleaning or rinsing

### OPERATION

- Lever style handle
- Temperature controlled by 100° arc of handle travel
- Operates with less than 5 lbs. of force
- Operates in stream or spray mode in the pulldown or retracted position
- Spout rotates 100 degrees

### FLOW

- Flow is limited to 1.5 gpm (5.7 L/min) at 60 psi

### CARTRIDGE

- 1255™ Duralast™ cartridge

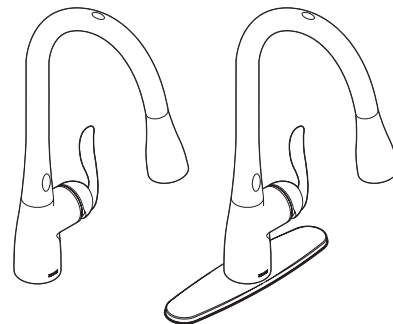
### STANDARDS

- Third party certified to IAPMO Green, ASME A112.18.1/CSA B125.1 and all applicable requirements referenced therein including NSF 61/9G & 372
- Meets CalGreen and Georgia SB370 requirements
- Complies with California Proposition 65 and with the Federal Safe Drinking Water Act
- The backflow protection system in the device consists of two independently operating check valves, a primary and a secondary which prevent backflow
- ADA ♿ for lever handle

### WARRANTY

- Limited lifetime warranty against leaks, drips, finish defects to the original consumer purchaser
- 5 year warranty electronic operation defects to the original consumer purchaser
- 5 year warranty against leaks, drips, finish defects if used in commercial installations
- 1 year warranty against electronic operation defects if used in commercial installations

# Specifications

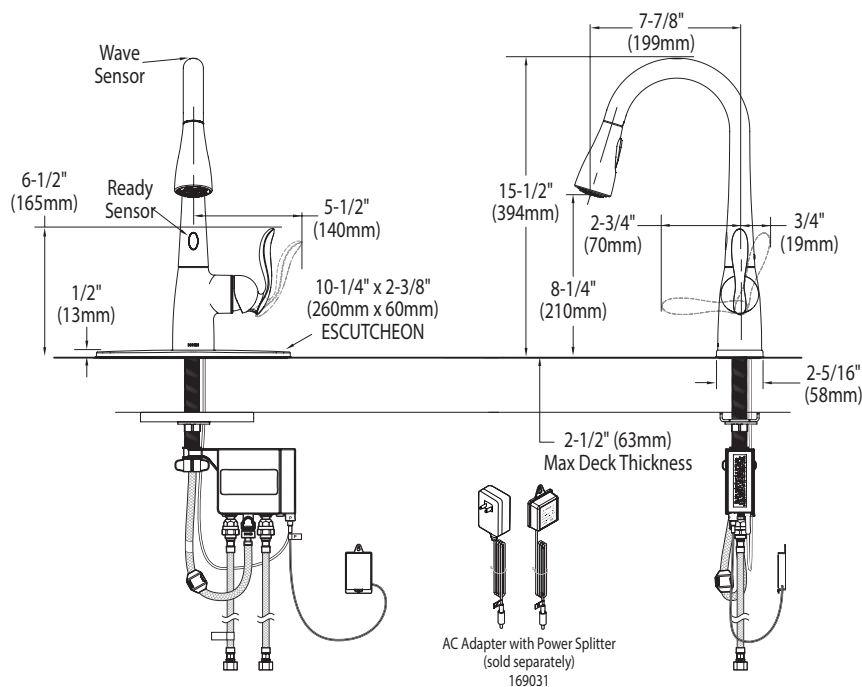


## Arbor® with MotionSense™ Single Handle High Arc Pulldown Kitchen Faucet

Models: 7594E series

**NOTE:** THIS FAUCET IS DESIGNED TO BE  
INSTALLED THROUGH 1 HOLE, 1-1/2"  
(38mm) MIN. DIA.

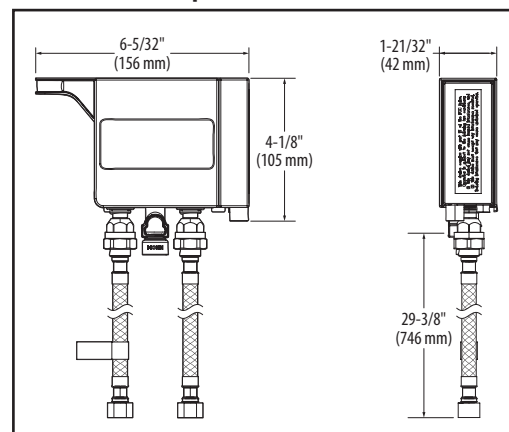
GREEN



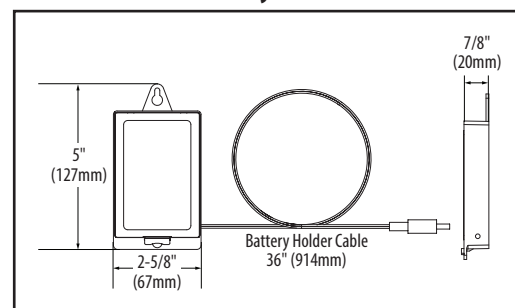
### CRITICAL DIMENSIONS

(DO NOT SCALE)

### Close up view of Control Box



### Battery Holder





Buy it for looks. Buy it for life.®

### FAUCET DESCRIPTION

- Versatile, hands-free convenience in the kitchen
- Power Clean™ Spray Technology
- Allows users to control the faucet in 3 unique ways: Wave Sensor, Ready Sensor and familiar handle
- Powered by 6 AA batteries or optional AC adapter with power splitter
- Reflex™ pulldown system offers smooth operation, easy movement and secure docking
- Metal construction with various finishes identified by suffix
- Quick connect installation
- Pulldown spray with 68" braided hose
- Control box flexible supply lines with 3/8" compression fittings
- High arc spout provides height and reach to fill or clean large pots while pull down wand provides the maneuverability for cleaning or rinsing

### OPERATION

- Lever style handle
- Temperature controlled by 100° arc of handle travel
- Operates with less than 5 lbs. of force
- Operates in stream or spray mode in the pulldown or retracted position
- Spout rotates 100 degrees

### FLOW

- Flow is limited to 1.5 gpm (5.7 L/min) at 60 psi

### CARTRIDGE

- 1255™ Duralast™ cartridge

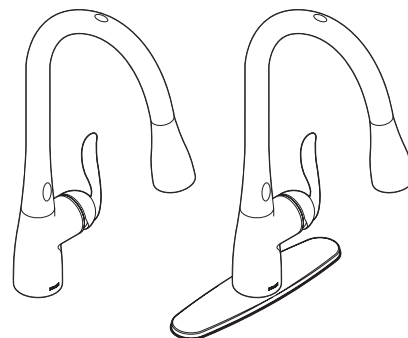
### STANDARDS

- Third party certified to IAPMO Green, ASME A112.18.1/CSA B125.1 and all applicable requirements referenced therein including NSF 61/9G & 372
- Meets CalGreen and Georgia SB370 requirements
- Complies with California Proposition 65 and with the Federal Safe Drinking Water Act
- The backflow protection system in the device consists of two independently operating check valves, a primary and a secondary which prevent backflow
- ADA ♿ for lever handle

### WARRANTY

- Limited lifetime warranty against leaks, drips, finish defects to the original consumer purchaser
- 5 year warranty electronic operation defects to the original consumer purchaser
- 5 year warranty against leaks, drips, finish defects if used in commercial installations
- 1 year warranty against electronic operation defects if used in commercial installations

# Specifications



## Arbor® with MotionSense™ Single Handle High Arc Pulldown Kitchen Faucet

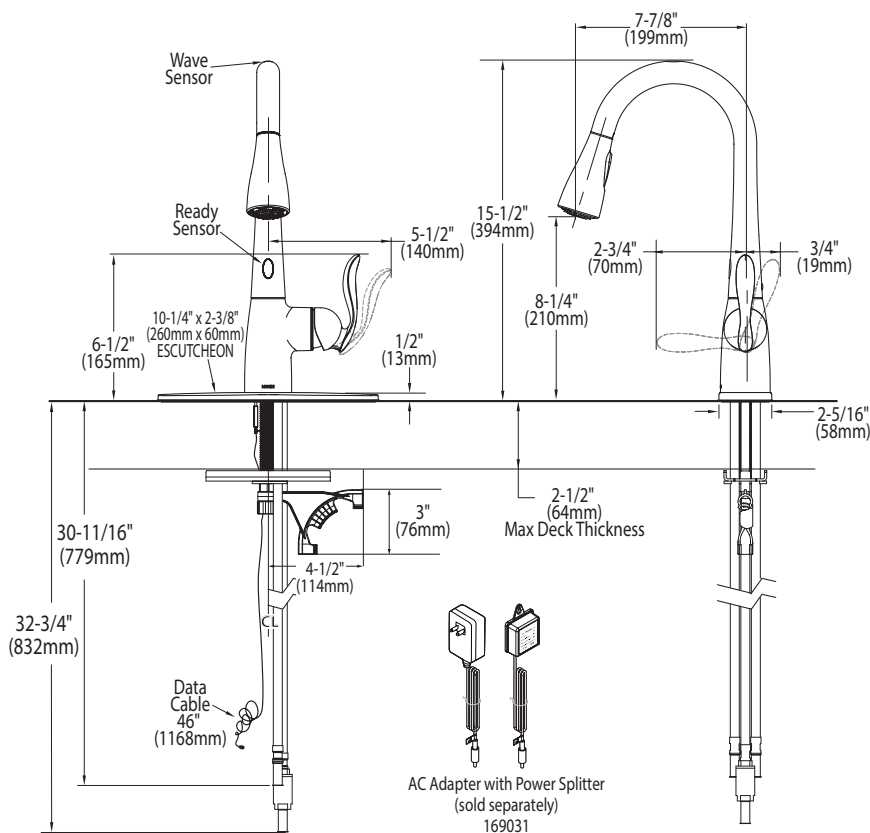
Models: 7594E series

**NOTE:** THIS FAUCET IS DESIGNED TO BE  
INSTALLED THROUGH 1 HOLE, 1-1/2"  
(38mm) MIN. DIA.

GREEN



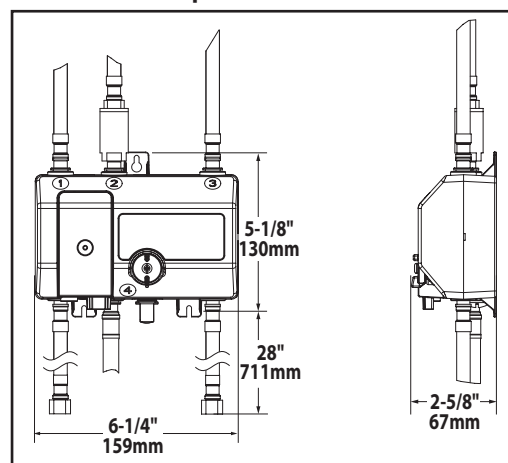
*motion*sense™



### CRITICAL DIMENSIONS

(DO NOT SCALE)

### Close up view of Control Box



### Battery Holder

