



Buy it for looks. Buy it for life.®

# Specifications

*There is more 1 version of this model.  
Page down to identify the version you have.*

## DESCRIPTION

- Metal construction with various finishes identified by suffix
- Flexible supplies with 3/8" compression fittings
- Includes Protégé side spray with Duralock™ quick connect system

## OPERATION

- Lever style handle
- Temperature controlled by 100° arc of handle travel
- Will operate with less than 5lbs. of force


## FLOW

- Spout flow is limited to 1.5 gpm max (5.7L/min)

## CARTRIDGE

- 1255™ Duralast™ cartridge

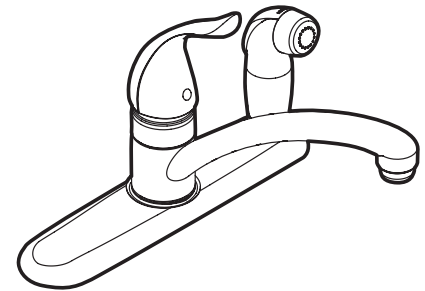
## STANDARDS

- Third party certified to ASME A112.18.1/CSA B125.1 and all applicable requirements referenced therein including NSF 61/9 & 372
- Complies with California Proposition 65 and with the Federal Safe Drinking Water Act
- **ADA**  for lever handles

## WARRANTY

- Lifetime limited warranty against leaks, drips and finish defects to the original homeowner
- 10 year limited warranty when used in a multifamily installation
- 5 year limited warranty when used in a commercial installation

Visit [www.moen.com/support](http://www.moen.com/support) for complete details and limitations

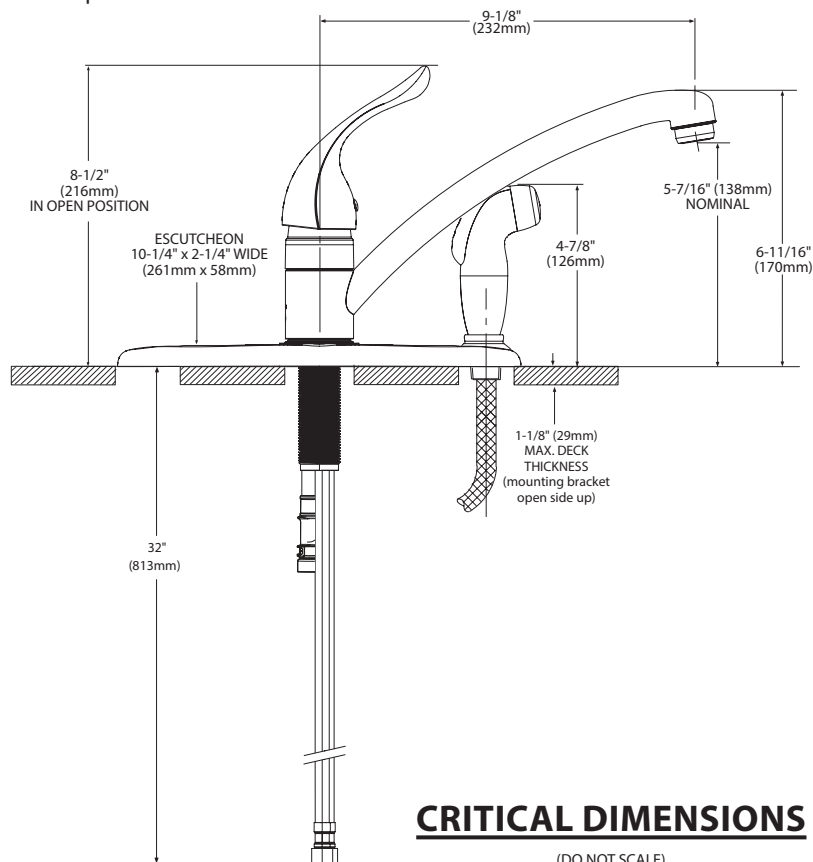


## CHATEAU® Single-Handle Kitchen Faucet w/Protégé Side Spray in Deck Plate

**Models:** 7434 series

**Bulk Model:** 67434 series

**NOTE:** DESIGNED TO INSTALL  
THROUGH 3 HOLES 1-1/4" (32mm)  
MIN. DIA. AND 4" (102mm) ON CENTER.





Buy it for looks. Buy it for life.®

# Specifications

## DESCRIPTION

- Metal construction with either chrome plated, ivory, decorative glacier or brushed chrome finish
- 1/2" IPS connections will accept standard ball hose connection for 3/8" tubing
- Includes Protégé side spray

## OPERATION

- Lever style handle
- Temperature controlled by 180° arc of handle travel
- Will operate with less than 5lbs. of force


## FLOW

- Spout flow is limited to 2.2 gpm max (8.3L/min)

## CARTRIDGE

- 1255 cartridge design (not 1200)
- Nonmetallic/nonferrous and stainless steel material

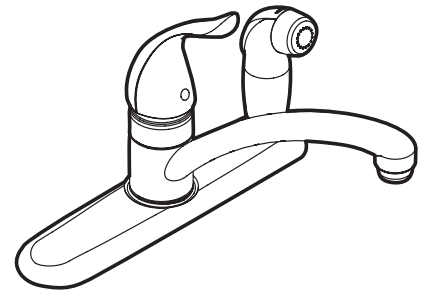
## STANDARDS

- Third party certified to ASME A112.18.1/CSA B125.1 and all applicable requirements referenced therein including NSF 61/9 & 372
- Complies with California Proposition 65 and with the Federal Safe Drinking Water Act
- **ADA**  for lever handles

## WARRANTY

- Lifetime limited warranty against leaks, drips and finish defects to the original homeowner
- 10 year limited warranty when used in a multifamily installation
- 5 year limited warranty when used in a commercial installation

Visit [www.moen.com/support](http://www.moen.com/support) for complete details and limitations



**CHATEAU®**  
**Single-Handle Kitchen Faucet**  
**w/Protégé Side Spray in Deck Plate**

**Models:** 7434 series

**Bulk Model:** 67434 series

**NOTE:** DESIGNED TO INSTALL THROUGH 3 HOLES 1-1/4" (32mm) MIN. DIA. AND 4" (102mm) ON CENTER.

