

Villa - 60D

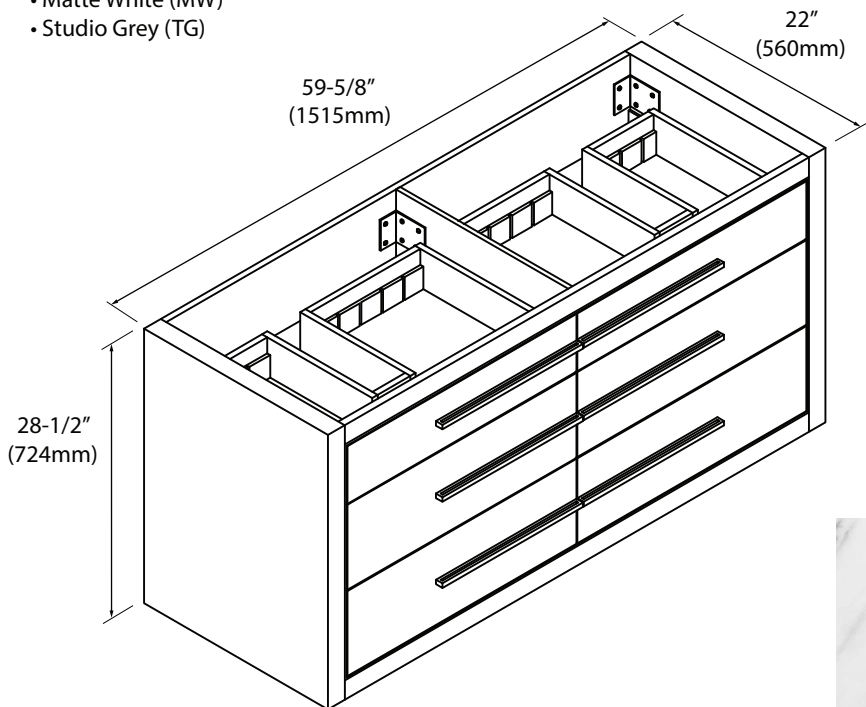
Specification & Installation Guide

Features

- Wall mount 60D vanity: 28-1/2" (724mm)H x 22"(560mm)D x 59-5/8" (1515mm)W
- Furniture grade plywood layered with solid wood veneer and protected with several coats of polyurethane.
- Matching finish inside out.
- Six drawers with full-extension soft-close hardware.
- All drawers with adjustable glass dividers.
- Handle/Inlay finish options: polished chrome (PC), brushed nickel (BN), polished nickel (PN), matte black (MB) and satin brass (SB)
- Cabinet furnished assembled.

Colors/Finishes

- Brandy (BR)
- Matte White (MW)
- Studio Grey (TG)



Top/Basin options

- Glass countertop with above-counter ceramic basin.
- Glossy White X-Stone 2"H top/basin
- Glossy White X-Stone 4-1/2" H Trough sink
- X-Stone 3/4"H countertop no holes. To be field drilled.
- X-Stone 3/4"H countertop with above-counter ceramic basin
- Quartzstone 3"H countertop with undermount ceramic basin

Package Dimensions

64" x 26" x 36"

Weight

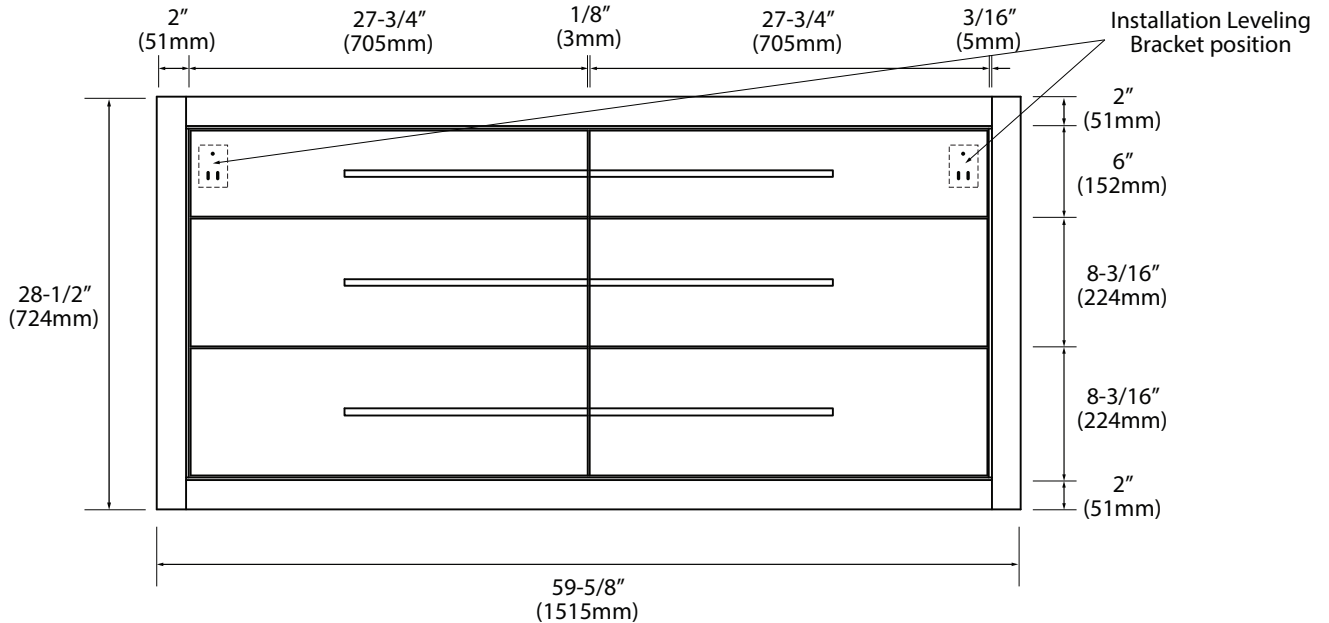
238 lbs/108 kgs.



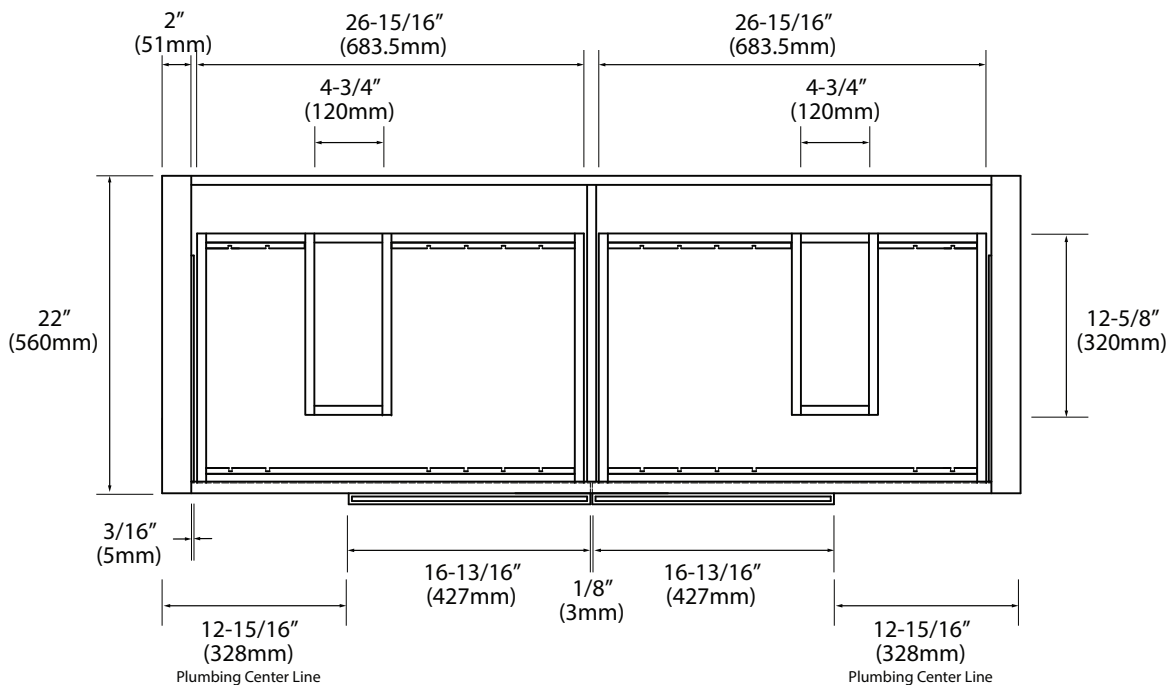
Villa - 60D

Specification & Installation Guide

FRONT VIEW



TOP VIEW

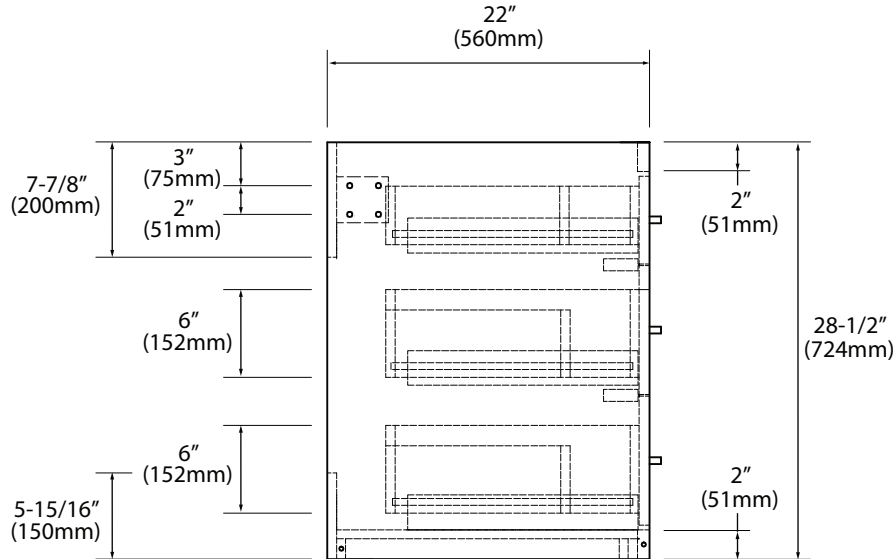


For clarification, please contact Madeli Customer Care at (800)-819-6988 or (305)-718-8817 Ext. 1 or service@madeli.com
All dimensions are approximate and subject to standard tolerance. Specifications subject to change without prior notice.

Villa - 60D

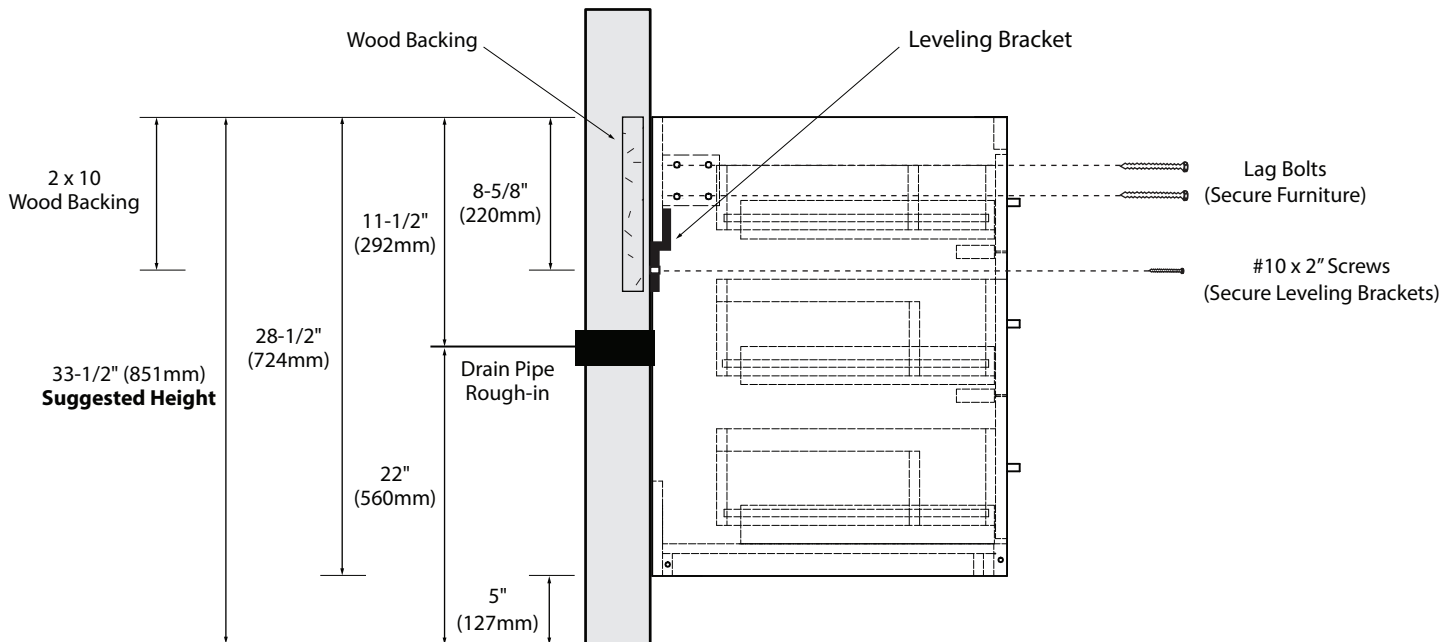
Specification & Installation Guide

SIDE VIEW



TYPICAL INSTALLATION

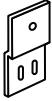




The typical dimensions shown will result in vanity cabinet height of 33-1/2" (851mm). Depending on the countertop selected, the total height will vary from 34-1/4" (870mm) to 38" (965mm). If an alternate height is desired, adjust the rough-in and backing material heights using the dimensions provided.



Villa - 60D

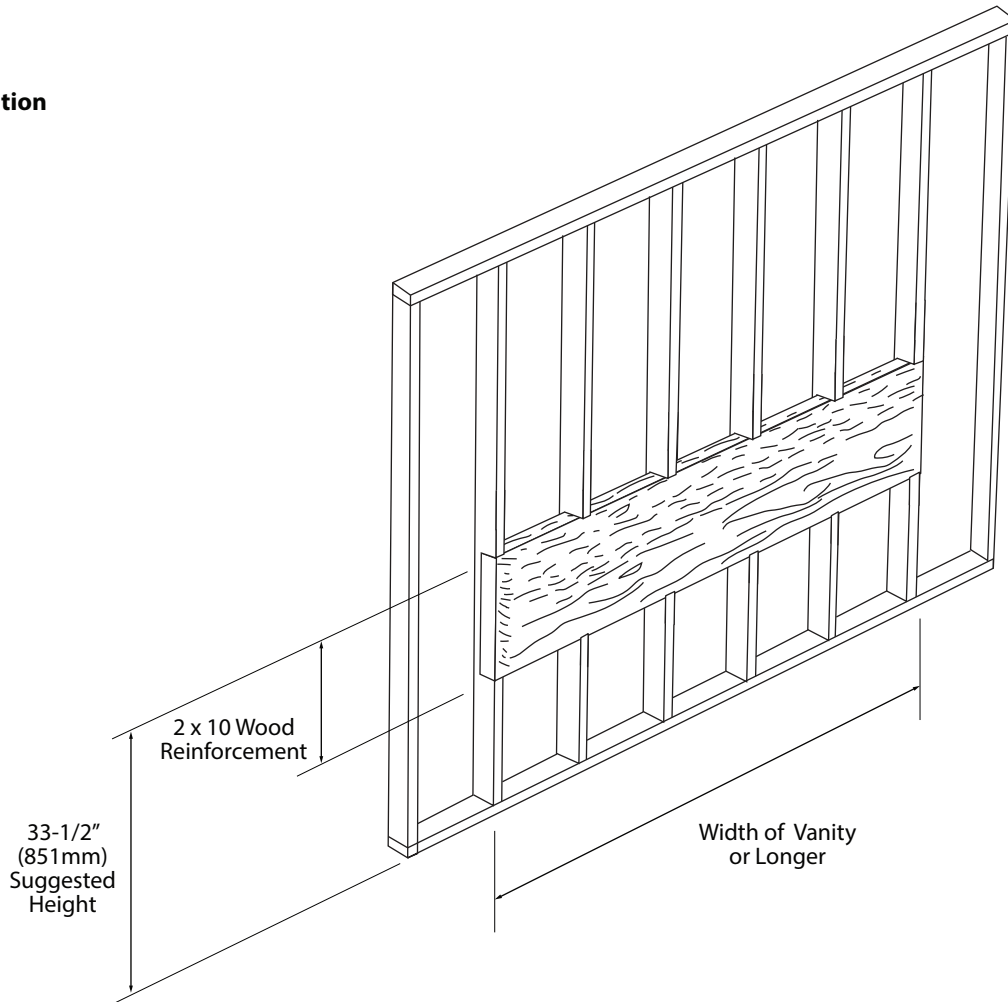
Specification & Installation Guide

INSTALLATION INSTRUCTIONS

Item	Leveling Bracket	#10 x 2" Screws	Anchors	Lag Bolt 5/16 x 2-1/2"	Silicone (not included)
Qty.	2	4	8	8	1
					

STEP 1

Wall Preparation



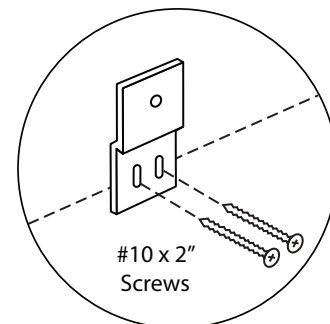
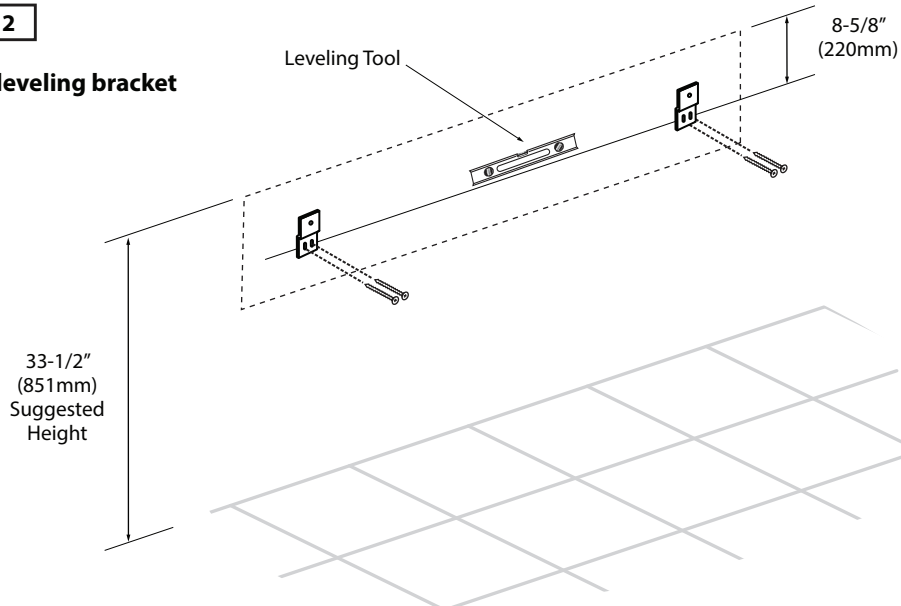
For clarification, please contact Madeli Customer Care at (800)-819-6988 or (305)-718-8817 Ext. 1 or service@madeli.com
All dimensions are approximate and subject to standard tolerance. Specifications subject to change without prior notice.

Villa - 60D

Specification & Installation Guide

STEP 2

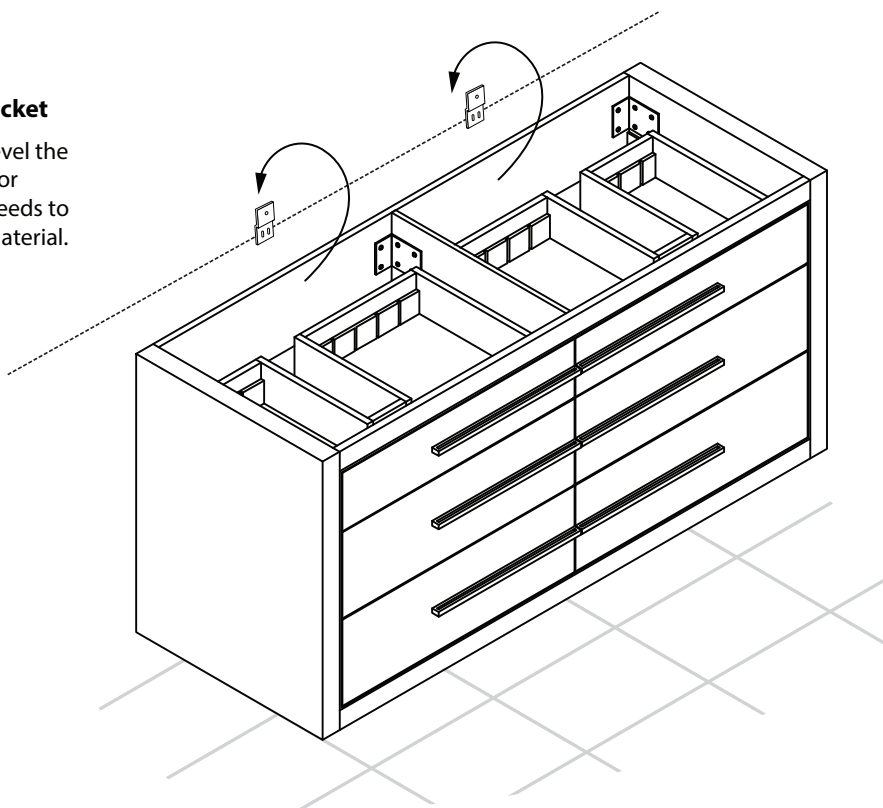
Install leveling bracket



STEP 3

Place vanity on leveling bracket

Leveling brackets are only to level the vanity. They are not designed for permanent support. Cabinet needs to be secured to wood backing material.

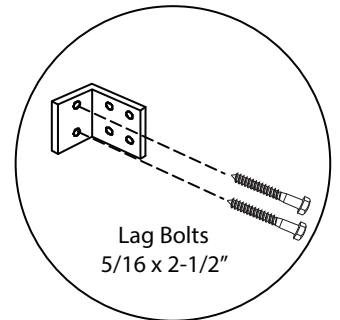
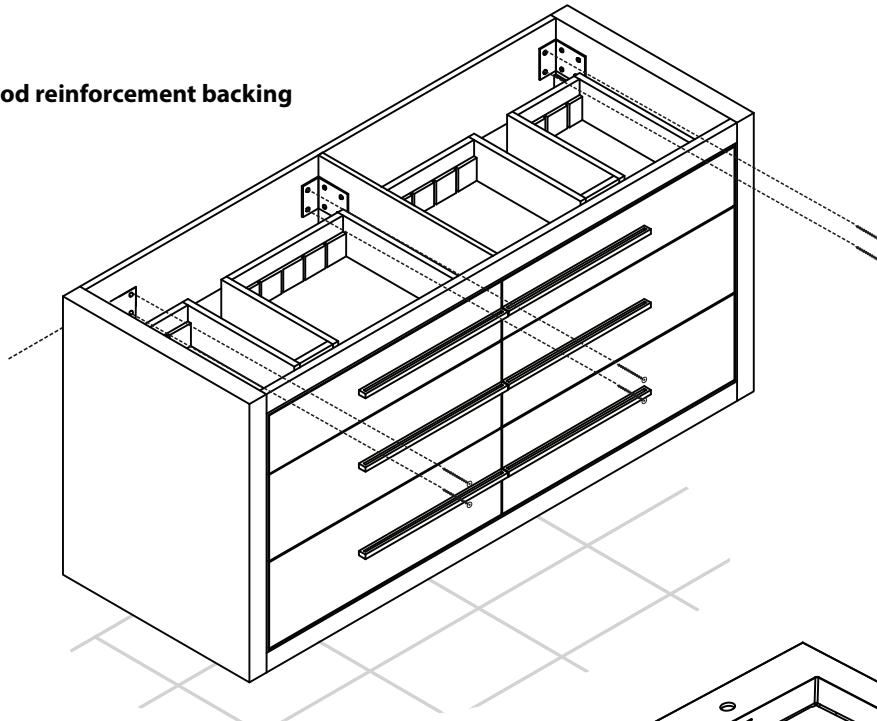


Villa - 60D

Specification & Installation Guide

STEP 4

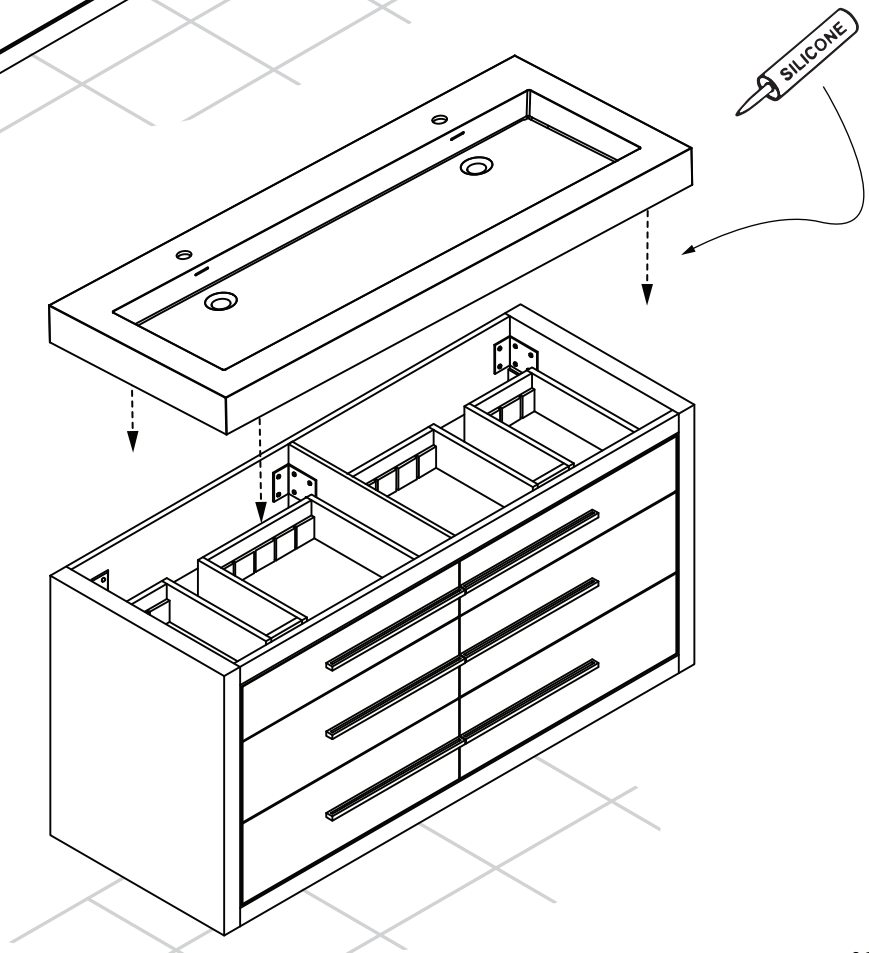
Secure vanity to wood reinforcement backing



Lag Bolts
5/16 x 2-1/2"

STEP 5

Install countertop with Silicone



For clarification, please contact Madeli Customer Care at (800)-819-6988 or (305)-718-8817 Ext. 1 or service@madeli.com
All dimensions are approximate and subject to standard tolerance. Specifications subject to change without prior notice.