

## Silhouette - 42"

## Specification & Installation Guide

### Features

- Free Standing 42" vanity: 33" (838mm)H x 22"(558mm)D x 41-5/8" (1058mm)W
- Furniture grade plywood layered with solid wood veneer and protected with several coats of polyurethane.
- Matching finish inside out
- Two drawers with full-extension soft-close hardware.
- Drawers include adjustable tempered glass dividers.
- Tempered soft-frost glass shelf.
- Handle and legs in Polished Chrome (PC), Brushed Nickel (BN), Polished Nickel (PN), Matte Black (MB) and Satin Brass (SB) finishes.
- Ships fully assembled except for tempered glass shelf.

### Colors/Finishes

- Ash Grey (AG)
- Brandy (BR)
- Glossy White (GW)
- Sapphire (SA)

### Top/Basin options

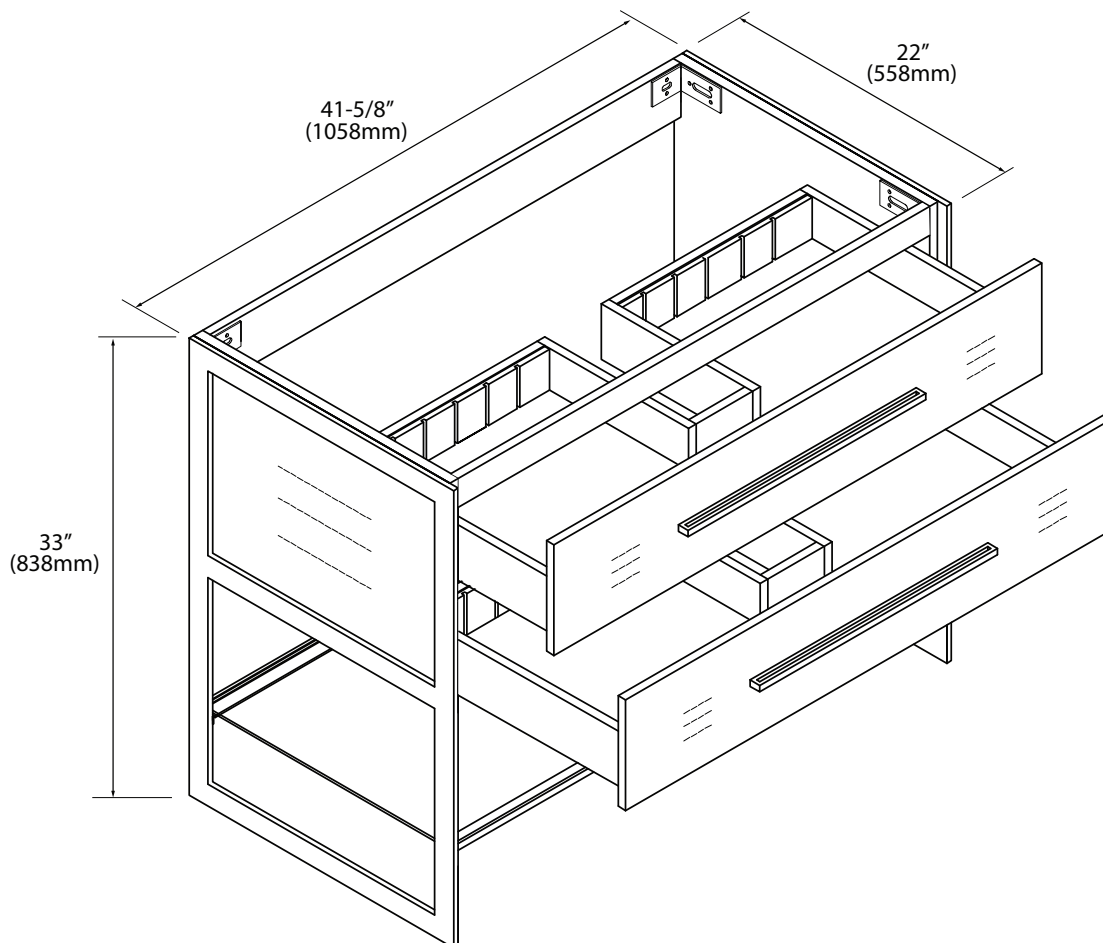
- Tempered glass countertop /Ceramic basin
- Glossy White X-Stone 2"H top/basin
- Glossy White X-Stone 4-1/2" H Trough sink
- Glossy or Matte White X-Stone countertop/no holes
- Glossy or Matte White X-Stone countertop/Ceramic basin
- Quartzstone™ 3"H countertop/under mount ceramic basin

### Package Dimensions

25" x 39" x 35"

### Weight

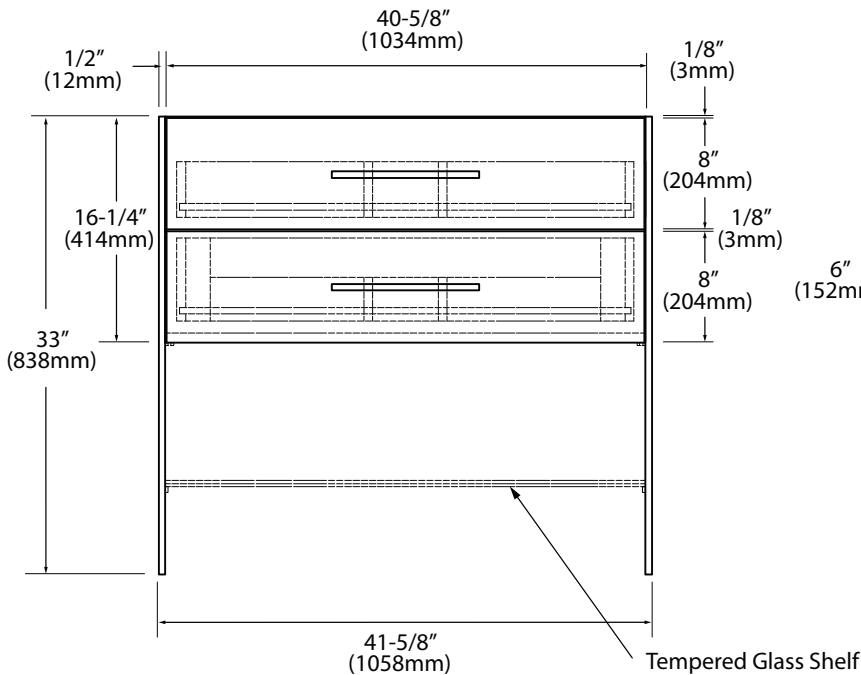
160 lbs/73 kgs.



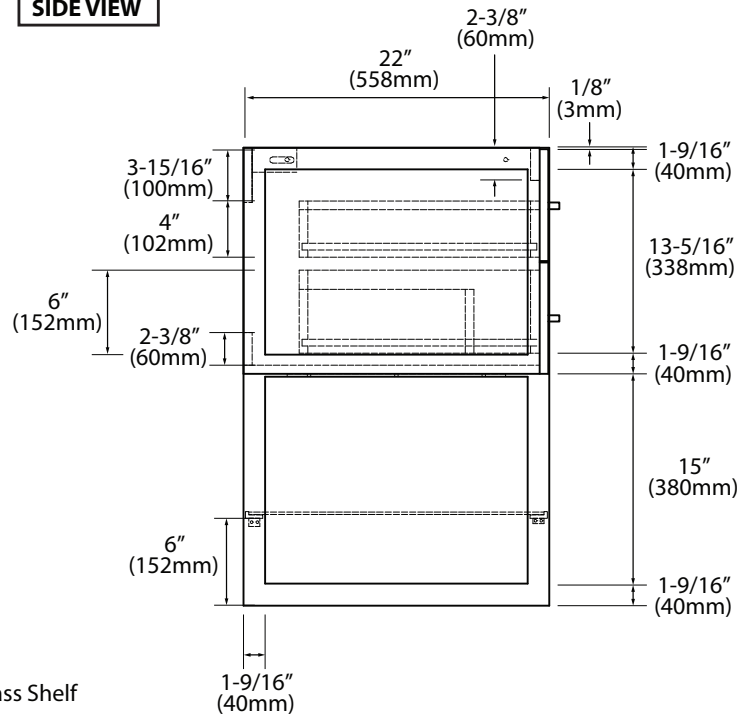
## Silhouette - 42"

## Specification & Installation Guide

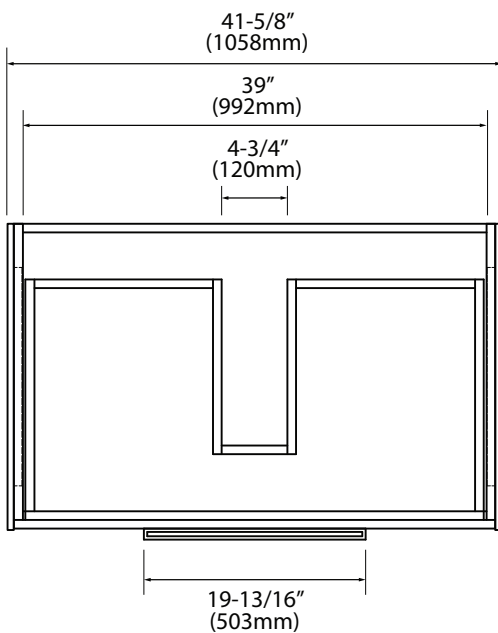
**FRONT VIEW**



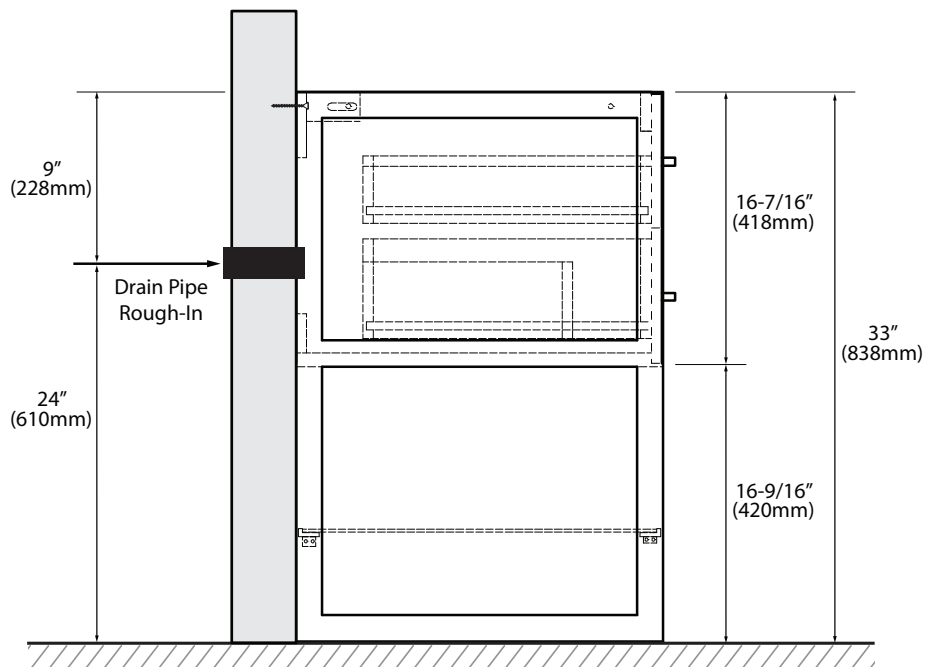
**SIDE VIEW**



**TOP VIEW**



**ROUGH-IN DIMENSIONS**

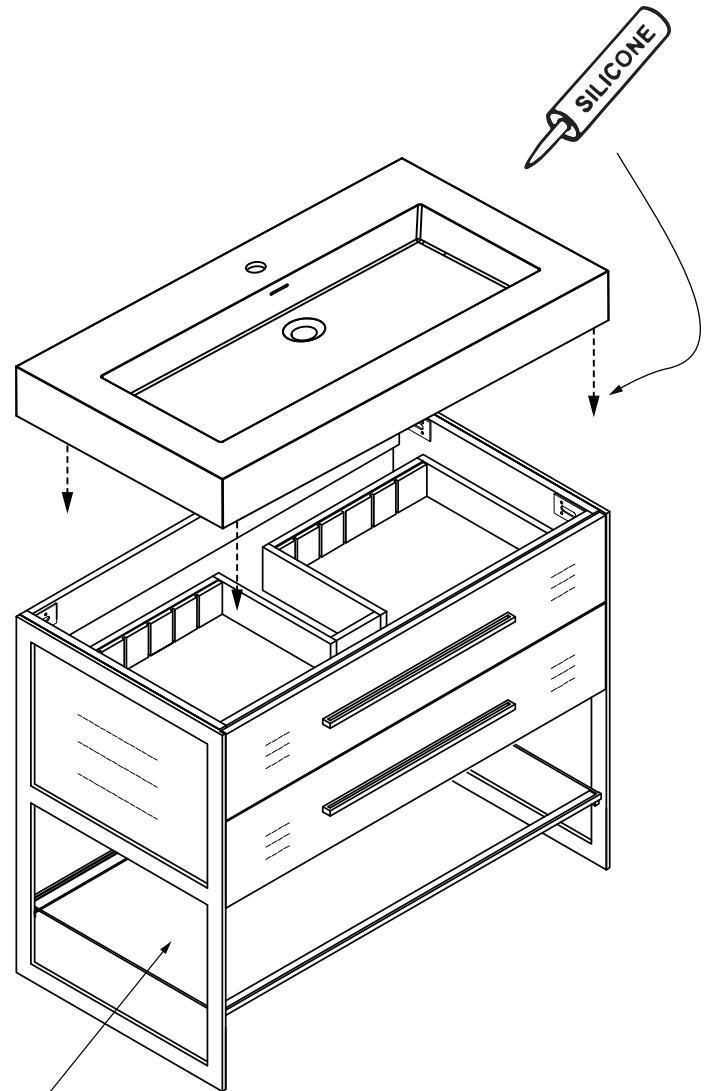
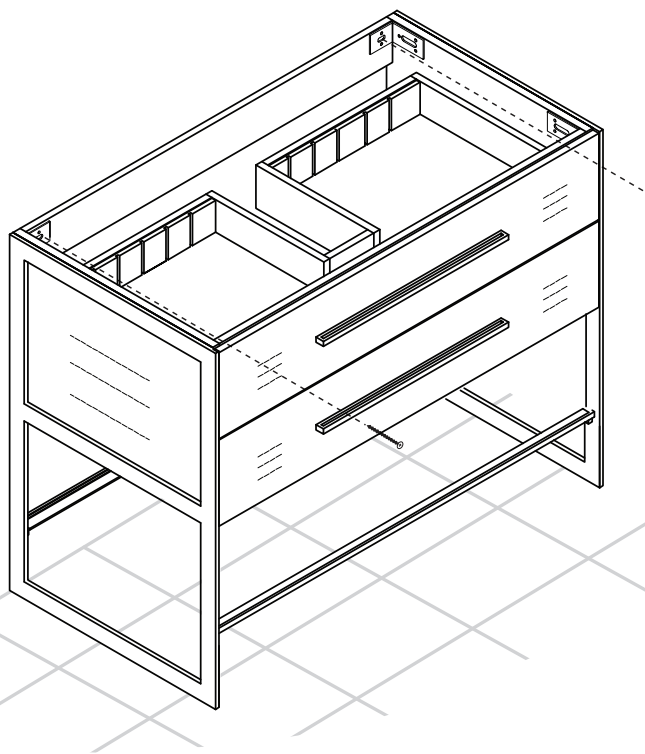


## Silhouette - 42"

## Specification & Installation Guide

### CABINET PLACEMENT & INSTALLATION - CABINET MUST BE SECURED TO WALL

- 1) Place cabinet in position
- 2) Level cabinet (shim as needed)
- 3) Secure cabinet with screws in drywall studs
- 4) Install countertop with silicone
- 5) Install tempered glass shelf



Install tempered glass shelf

For clarification, please contact Madeli Customer Care at (800)-819-6988 or (305)-718-8817 Ext. 1 or [service@madeli.com](mailto:service@madeli.com)  
All dimensions are approximate and subject to standard tolerance. Specifications subject to change without prior notice.