

SILGRANIT®

Double Bowl 50/50 Undermount

LUXART®

Product Specifications

MODELS

- LX440069 Double Bowl, 10" bowl depth, ANTHRACITE
- LX440068 Double Bowl, 10" bowl depth, CAFÉ BROWN
- LX440071 Double Bowl, 10" bowl depth, WHITE
- LX440072 Double Bowl, 10" bowl depth, METALLIC GRAY
- LX441290 Double Bowl, 10" bowl depth, TRUFFLE
- LX441473 Double Bowl, 10" bowl depth, CINDER
- LX442937 Double Bowl, 10" bowl depth, COAL BLACK
- LX443086 Double Bowl, 10" bowl depth, SOFT WHITE
- LX443123 Double Bowl, 10" bowl depth, VOLCANO GRAY



Model LX440069 shown in ANTHRACITE

** basket strainer not included*

FEATURES

- Required outside cabinet: 36"
- 80% solid granite
- Heat resistant up to 536°F
- Unsurpassed cleanability backed by industry leading 7 patents!
- Resistant to scratches, stains and all household acids and alkali solutions
- Template provided with approximate 1/8" reveal
- Undermount clips included
- Limited lifetime warranty

OPTIONAL ACCESORIES

- Celcon Disposal Flange with Strainer/Stopper: LX125
- Celcon Basket Strainer: LX105

CODE/STANDARDS COMPLIANCE

ANSI Z124.6-97
IAPMO/UPC listed

NOMINAL DIMENSIONS OVERALL	CUTOUT SIZE	BOWL DEPTH		DRAIN DIAMETER
		LEFT	RIGHT	
33"X20"	Template provided with approximate 1/8" reveal	10"	10"	3-1/2"

DFX cutout templates available on our website

All dimensions listed are nominal. Luxart® reserves the right to make product and material changes at any time without notice.

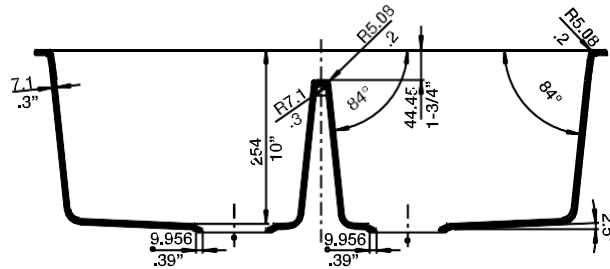
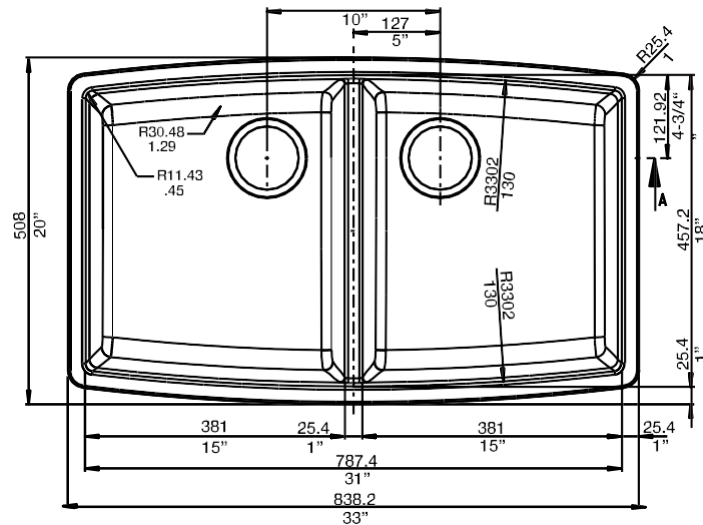


Contact your sales representative for more information or visit our website at luxartcollection.com

SILGRANIT® Double Bowl 50/50 Undermount

LUXART®

Product Specifications



Contact your sales representative for more information or visit our website at luxartcollection.com