

LX200E3

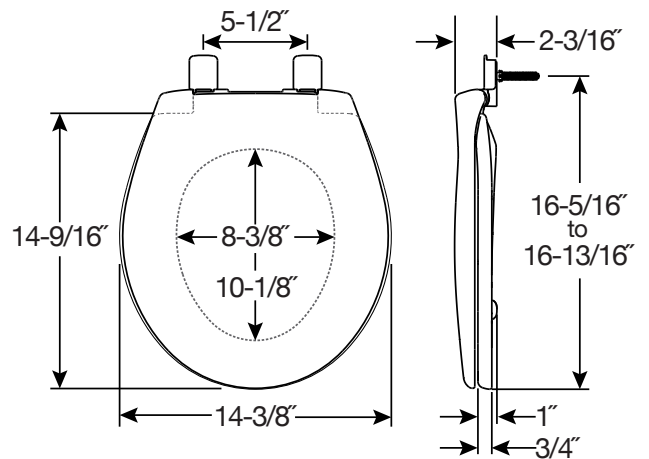
Plastic Premium Round Toilet Seat

Description

Closed front with cover, round, injection molded solid plastic toilet seat. Features two bumpers, color-matched WhisperClose® with Easy Clean™ hinges with non-corrosive, bolts and wing nuts.



Specifications	
Size:	Round
Weight:	3.7 lbs
Color:	White (000), Biscuit (346)
Material:	Plastic
Style:	Closed Front with Cover
Bumpers:	Two
Hinges:	Plastic WhisperClose® with Easy Clean™
Fastening System:	Non-Corrosive Bolts and Wing Nuts



Features



Quick & Easy Removal
Allow for easy cleaning



Quiet Close
Slowly and quietly eases close



Right Fit
Adjustable to perfectly fit the toilet bowl



Tight Bumpers
Hold the seat firmly in place

Warranty

See warranty information for more details.

All dimensions listed are nominal. LUXART® reserves the right to make product and material changes at any time without notice.



Proudly Made in the USA

Contact your sales representative for more information or visit our website at luxartcollection.com