

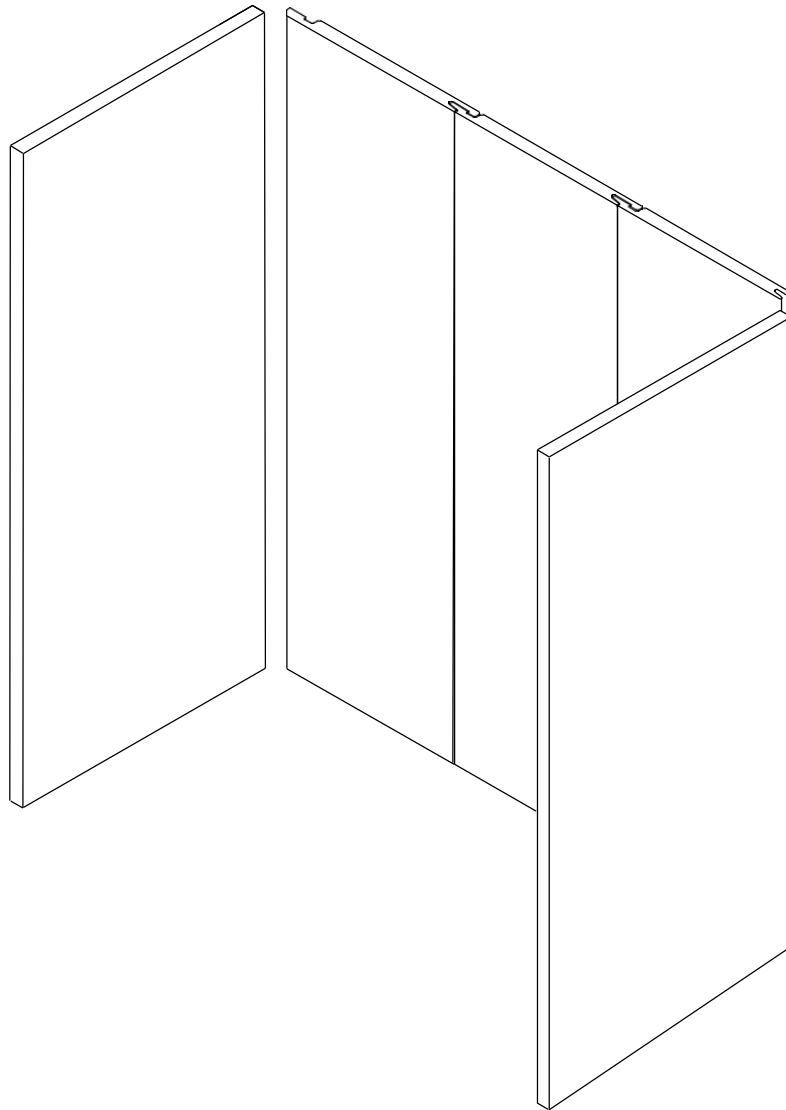


MODEL#:
LXSW6036-CO
LXSW6036-TU

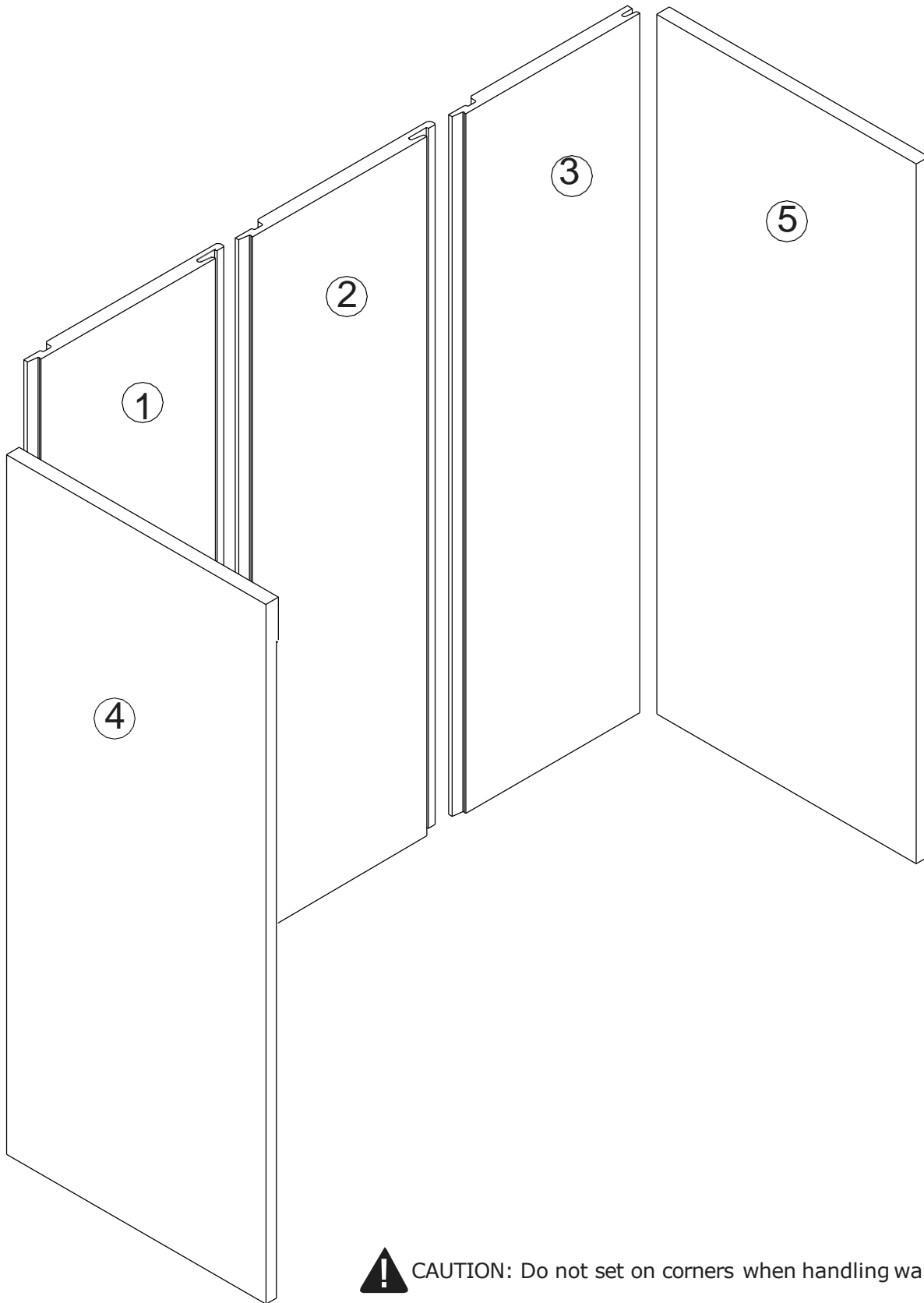
READ THE INSTRUCTIONS CAREFULLY

Familiarize yourself with all the parts as shown in the exploded view. The exploded view will also provide a helpful reference when relating to the location of the various parts and how they are mounted.

COPY THE MODEL NUMBER FOR YOUR RECORDS HERE #

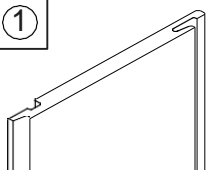
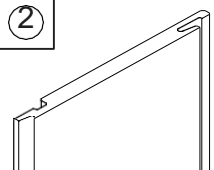
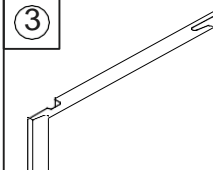
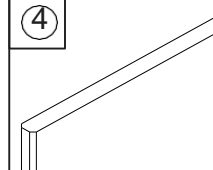
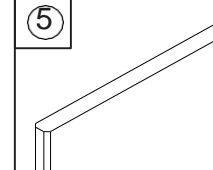
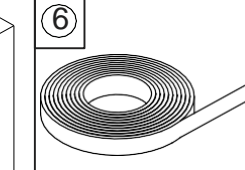


Need Help? If you have any questions or concerns, please email: customerservice@luxartcollection.com
Por favor. Si tiene alguna pregunta o duda, envíe un correo electrónico: customerservice@luxartcollection.com

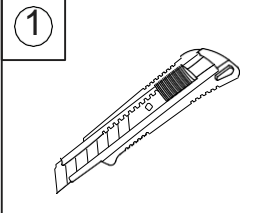
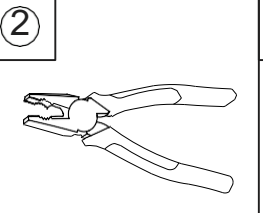
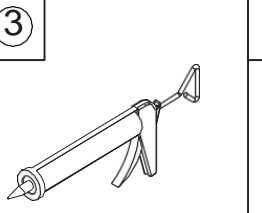
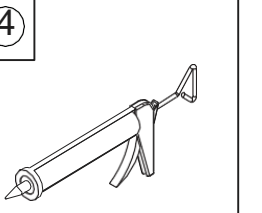
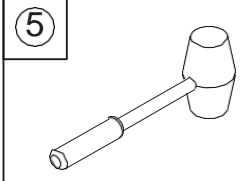
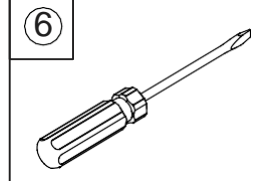
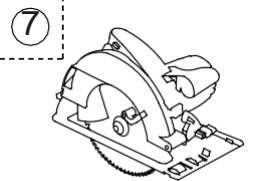
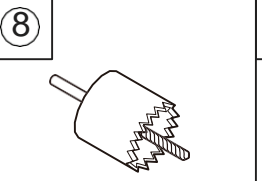
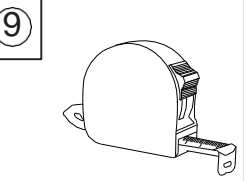


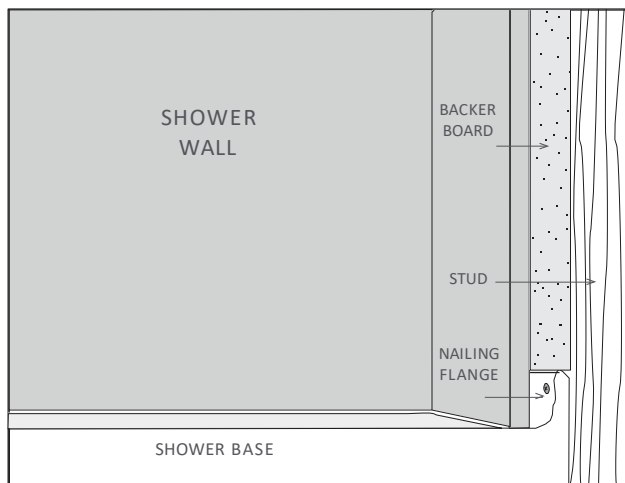
CAUTION: Do not set on corners when handling wall pieces.

PARTS LIST

					
PANEL 1 LEFT BACK PANEL	PANEL 2 CENTER BACK PANEL	PANEL 3 RIGHT BACK PANEL	PANEL 4 LEFT SIDE PANEL	PANEL 5 RIGHT SIDE PANEL	Double-Sided Construction Tape

RECOMMENDED TOOLS

				
Utility Knife	Locking Pliers	Construction Grade Adhesive	Silicone	
				
Rubber Mallet	Flathead Screwdriver	Circular Saw	Hole Saw	Measuring Tape



NOTE: SHOWER BASE INSTALLATION

When used in conjunction with a shower base that has a nailing flange, the Jetcoat® Shower Wall System is designed to be installed as shown in the drawing. The nailing flange of the base should be attached directly to the bare studs with backer board attached to the studs above the nailing flange. The Jetcoat® walls are installed on the backer board extending down in front of the nailing flange and resting on the base. Failure to install your base in this configuration may cause problems installing the Jetcoat® walls.

PREPARATION TIPS

Before beginning installation of product, make sure all parts are present. Compare parts with package contents list. If any part is missing or damaged, do not attempt to assemble or install the product.

- Begin by measuring the overall width of the back wall after it has been cleaned and prepared for installation.
- If the overall height of the back and/or side walls above the bathtub or shower base is less than the height of the panels, they can be easily cut to fit.
- Turn off the water supply.
- Remove all shower hardware and decorations, including but not limited to: Faucet handles, escutcheons, filler spouts, towel bars, and soap dishes.
- All plumbing and electrical work inside the walls must be finished prior to installing the wall panels.
- Walls should be solid, plumb, and square within 1/8 inch of true. The Shower Wall System has been designed to allow for trimming, to accommodate minor alignment problems.
- The mounting surface should be cleaned and prepared, according to the Installation Procedure.
- If you plan to install a recessed accessory, cut the panel accordingly after it has been fully installed, and had the proper time to adhere to the wall. Remember to be considerate of wall studs when positioning the accessory.

CAULKING TIPS:

- Follow the instructions on the tube of your chosen caulk.
- Once you have completed the project, inspect all areas that have been caulked, filling in any gaps as needed.
- Remove any excess caulk using denatured alcohol and a clean cloth. Use caution, and do not to disturb any of the caulk joints.

INSTALLATION PROCEDURE:

The Shower Wall System can be installed over a variety of products. Consult with a professional contractor if you intend to apply the panels to any surface other than those described here.

CEMENT/CONCRETE:

- Depending on the condition (flatness) of the existing wall, additional silicone may be required to properly secure the wall panels to the substrate.
- Surface must be completely clean. This includes but not limited to: Soap scum, dust and any other contaminants that may affect adhesion. Ceramic tiles do not need to be removed, if solidly adhered.
- Recommended: The complete area sealed with two coats of water or oil-based sealer, to ensure proper adhesion of the Shower Wall System.
- Complete the installation of the wall panels following the instruction manual, after the sealer has completely dried.

MASONITE:

- Surface must be completely clean. This includes but not limited to: Soap scum, dust and any other contaminants that may affect adhesion.
- Optional: The complete area sealed with two coats of water or oil-based sealer, to ensure proper adhesion of the Shower Wall System.
- Complete the installation of the wall panels following the instruction manual, after the sealer has completely dried.

OLD TILE:

- IMPORTANT: All plastic tiles must be removed. Old ceramic tiles do not need to be removed, if solidly adhered.
- Depending on the condition (flatness) of the existing wall, additional silicone may be required to properly secure the wall panels to the substrate.
- Properly remove and or reattach any loose ceramic tiles.
- Remove all tile accessories attached to the wall. Surface must be completely clean. This includes but not limited to soap scum, dust and any other contaminants that may affect adhesion.
- Complete the shower wall installation by following the instruction manual.

PLASTER:

- Additional silicone may be required to properly secure the substrate and the wall panel, depending on the condition of the existing wall.
- Smooth all textured and/or swirled finishes by sanding.
- Surface must be completely clean. This includes but not limited to soap scum, dust and any other contaminants that may affect adhesion.

- Recommended: The complete area sealed with two coats of water or oil-based sealer, to ensure proper adhesion of the Shower Wall System.

- Complete the installation of the wall panels following the instruction manual, after the sealer has completely dried.

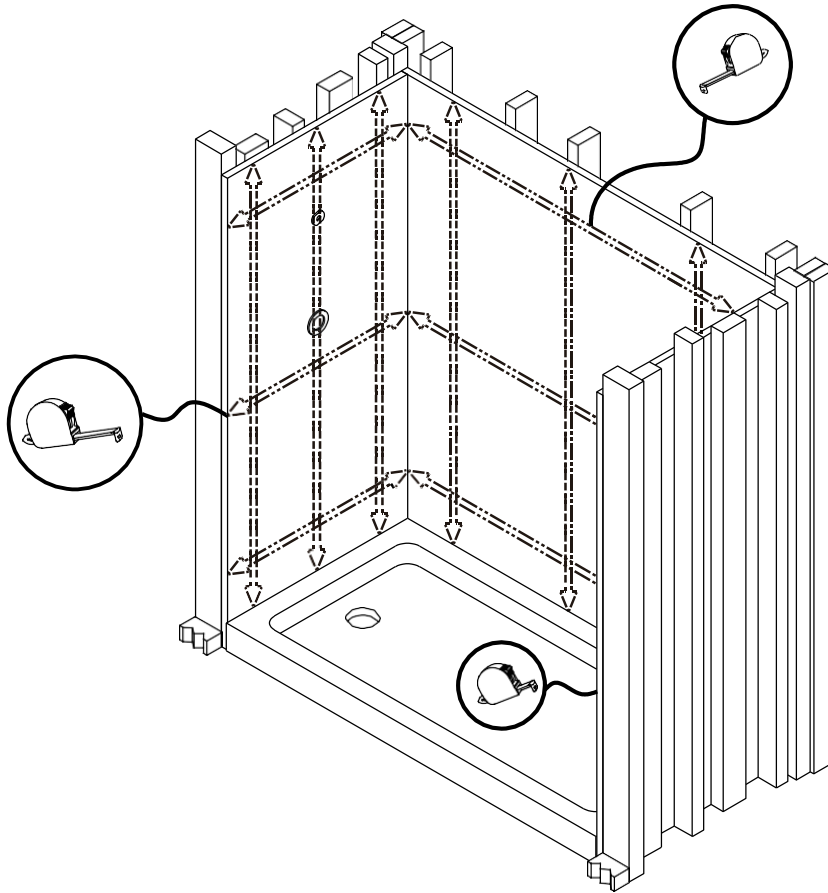
SHEETROCK/GREENBOARD/CEMENT BOARD/ WOOD:

- Surface must be completely clean and free of soap scum, dust, and any other contaminants that may affect adhesion.
- Optional: The complete area sealed with two coats of water or oil-based sealer, to ensure proper adhesion of the Shower Wall System.
- Complete the installation of the wall panels following the instruction manual, after the sealer has completely dried.

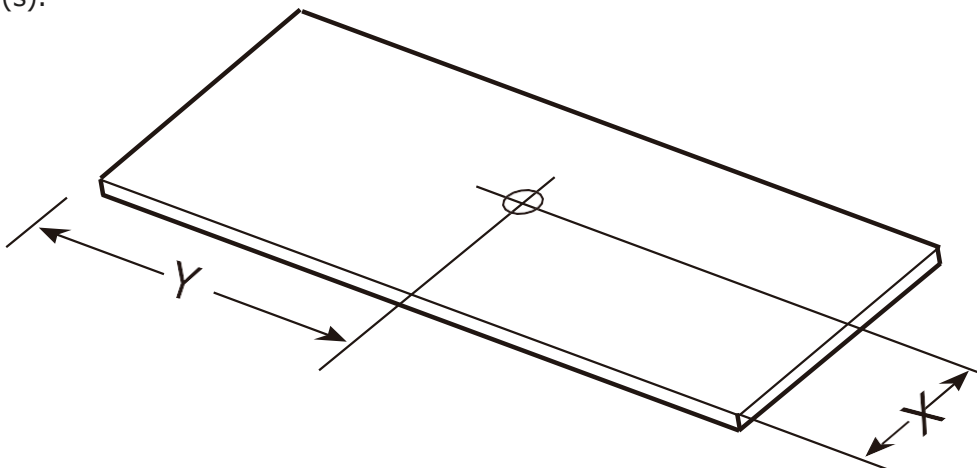
1 MEASURING

1. Measure the height of installation area at both ends of each wall. From top of tub or shower pan to the ceiling. If the ceiling height is less than the height of the panels included in your kit, the panels can be cut down using the same cutting procedure outlined in Step 2.
2. Measure width of each wall at top and bottom of installation area.

Important Note: Steps 2 & 3 will be repeated when installing each of the 5 wall panels.



3. Measure cut-out locations for plumbing fixtures and mark them on the back of the appropriate panel(s).

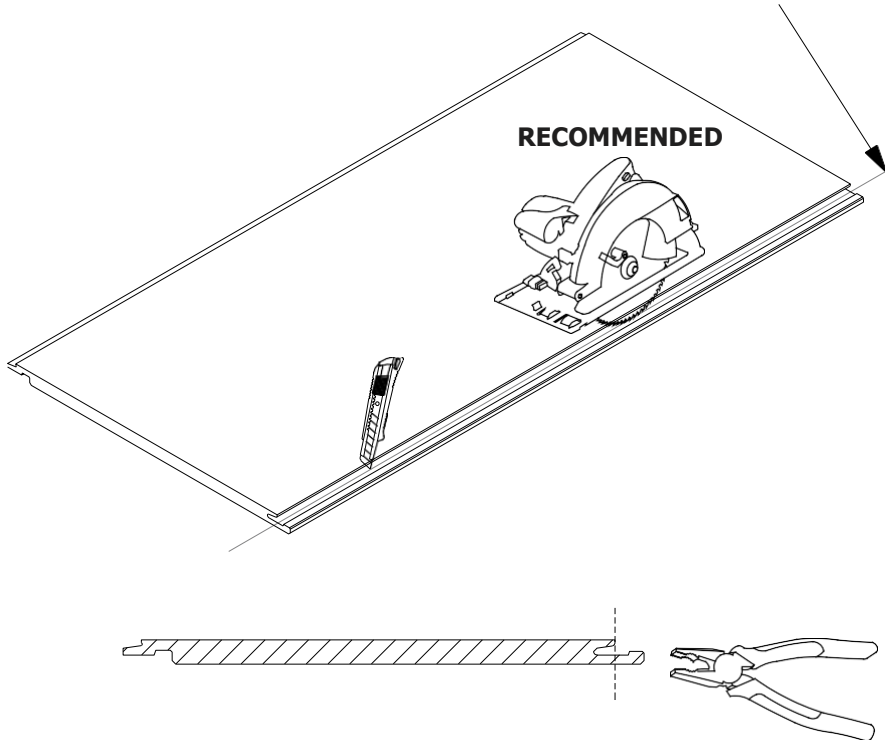


2 CUTTING

Important Note: The arrows on the label on the back of each panel indicate the TOP of the Panel. The following cutting instructions should be used when making all cuts.

Cutting Panels to Size:

1. Carefully draw a line on the back of each panel where the cut is to be made. Any adjustments for out of square or out of plumb should be considered when drawing this line.
Note: Using a straight edge when possible is highly recommended
2. Circular saw is recommended for making required cuts. If using utility knife, score the line several times and then use locking pliers to snap off the excess piece as shown.



Plumbing Cut-Outs:

Use a drill and the appropriate size hole saw to create cut-outs for the shower head, filler spout, faucet handles and/or any other cutouts necessary for plumbing that is already in the walls.

Note: To be sure your measurements are correct, make a cardboard template to test the plumbing cutouts prior to cutting the JETCOAT® panels.

Important: Drill chuck can damage the Jetcoat® wall panel surface. Drill holes from back side of panel.

Recessed Accessories:

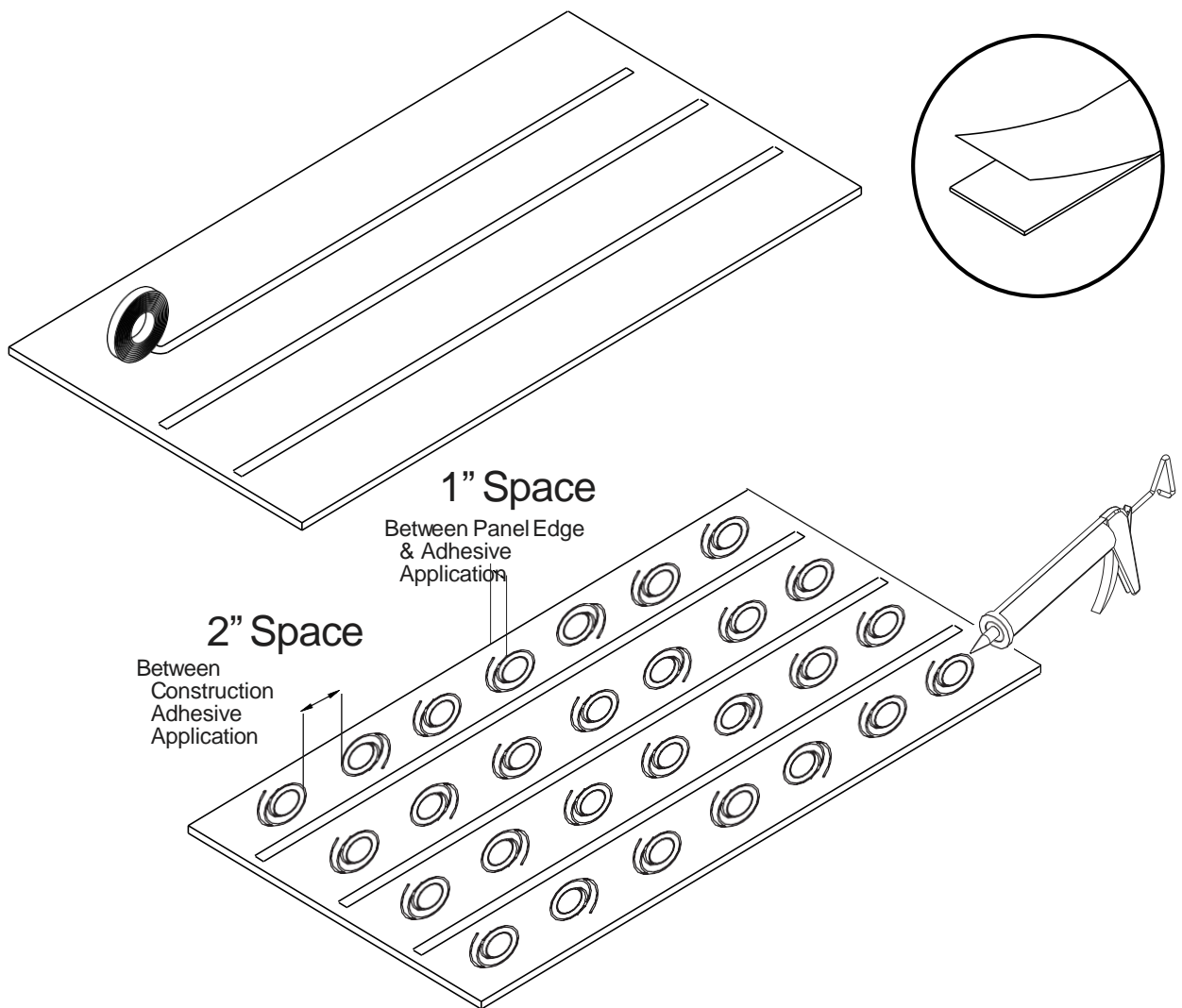
If you plan to install a recessed accessory, cut the panel accordingly after it has been fully installed, and had the proper time to adhere to the wall. Remember to be considerate of wall studs when positioning the accessory.

3 APPLYING ADHESIVE AND TAPE TO BACK SIDE OF WALL PANELS

The following instructions should be used when applying tape and adhesive to each wall panel.

1. Apply double-sided construction tape to the back of the wall panel as shown.
2. Apply construction grade adhesive to the spaces between the tape as shown in a circular pattern. The beads of adhesive should be 2" apart and up to, but no closer than 1" from the panel edge.

Important: The circular pattern is critical for proper adhesion.



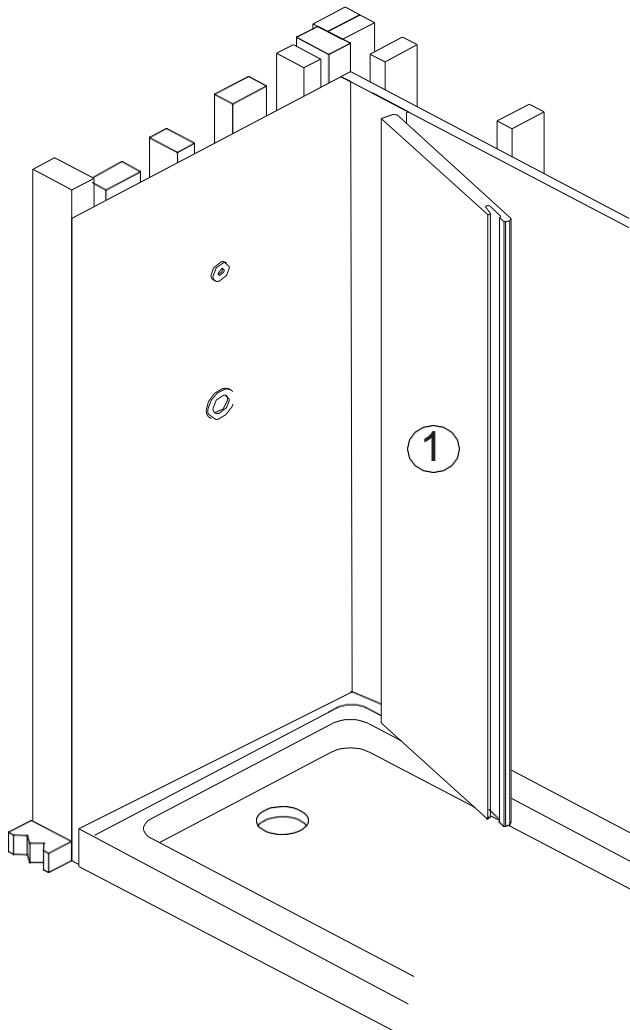
4 INSTALL LEFT BACK WALL PANEL

Important Note: Failure to install the back wall panels in the correct order may cause the pattern across the back wall not to appear continuous.

Important Note: The arrows on the label on the back of each panel indicate the TOP of the Panel.

Note: Your kit contains 3 back wall panels (labeled on the back as (1) *Left Back Panel* (2) *Center Back Panel* (3) *Right Back Panel* and two end panels (labeled (4) *Left Side Panel* & (5) *Right Side Panel*).

1. Locate the panel labeled (1) *Left Back Panel* and lay it down on a flat surface.
2. Based on your measurements from Step 1 (Measuring) cut the panel to the appropriate size and make any required plumbing cut-outs according to the instructions in Step 2 (Cutting).
3. Apply the double-sided tape and construction adhesive as explained in Step 3.
4. Peel off back of double-sided tape from the back of the panel. Position the panel at approximately 30 degrees, push the cut edge into the corner and then carefully push the panel towards the back wall.



5. Push panel firmly against the wall smoothing out any air bubbles along the entire area and then lightly tap on wall panel with a rubber mallet from top to bottom to ensure it is tightly connected to the wall.

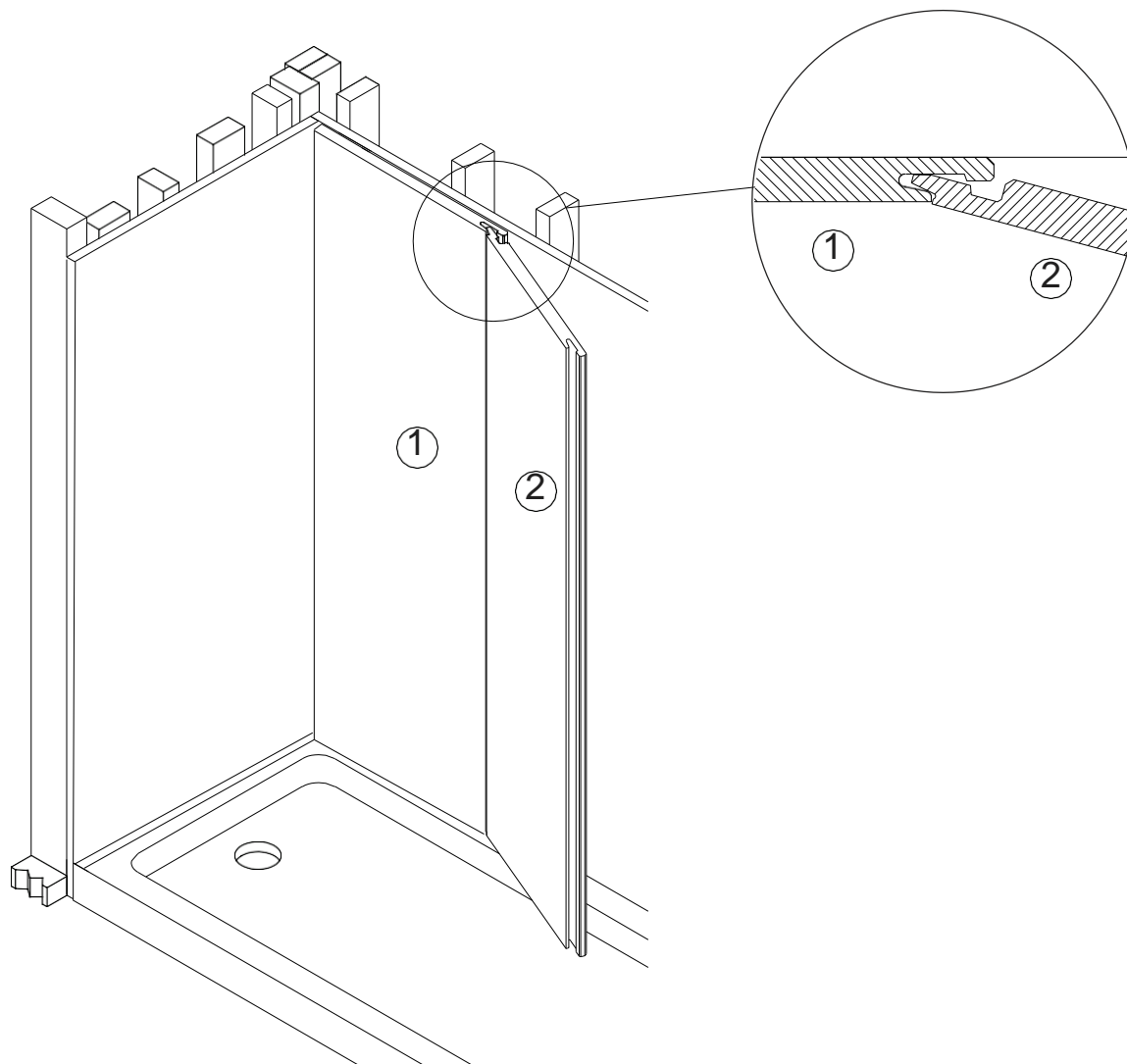
5 INSTALL BACK CENTER WALL PANEL

Important Note: The arrows on the label on the back of each panel indicate the TOP of the Panel.

1. Locate the panel labeled (2) *Center Back Panel* and lay it down on a flat surface.
2. Based on your measurements from Step 1 (Measuring) trim the height, if necessary, and make any required plumbing cut-outs according to the instructions in Step 2 (Cutting).
3. Apply the double-sided tape and construction adhesive as explained in Step 3.
4. Peel off back of double-sided tape from the back of the panel. Position the panel at an angle of approximately 45 degrees, and carefully push the tongue edge into the groove in the trailing edge of the (1) *Left Back Panel*. Move the panel gently while exerting forward pressure and carefully push it toward the back wall.

Important Note: Great care must be taken when installing this panel. The watertight seal depends on the tongue being firmly inserted into the groove before the panel is pushed back into position and height alignment cannot be adjusted once the panel clicks into place.

5. Press against the wall smoothing out any air bubbles along the entire area and then lightly tap on wall panel with a rubber mallet from top to bottom to ensure it is tightly connected to the wall.

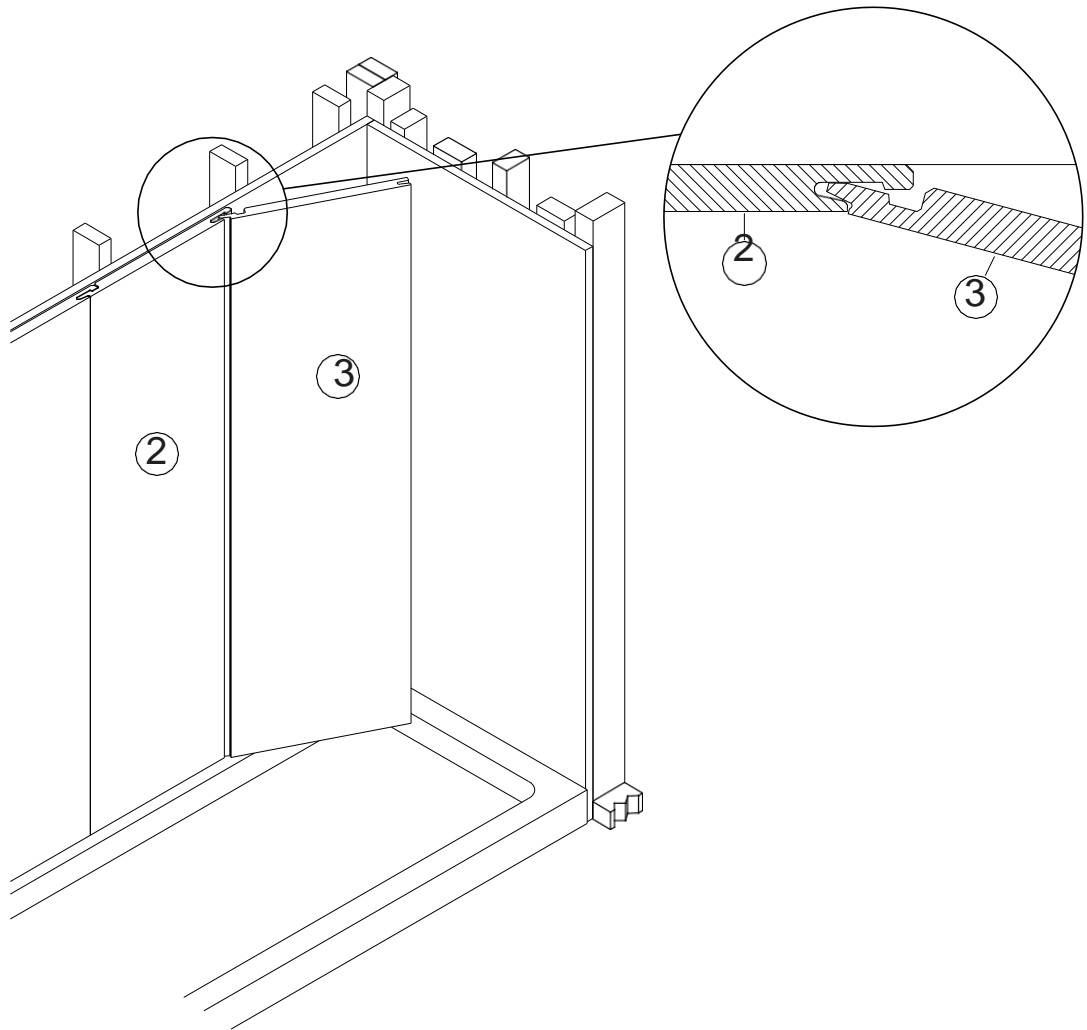


6 **INSTALL BACK RIGHT WALL PANEL**

Important Note: The arrows on the label on the back of each panel indicate the TOP of the Panel.

1. Locate the panel labeled (3) *Right Back Panel* and lay it down on a flat surface.
2. Based on your measurements from Step 1 (Measuring) cut the panel to the appropriate size and make any required plumbing cut-outs according to the instructions in Step 2 (Cutting).
3. Apply the double-sided tape and construction adhesive as explained in Step 3.
4. Peel off back of double-sided tape from the back of the panel. Position the panel at an angle of approximately 45 degrees, and carefully push the tongue edge into the groove in the trailing edge of the (2) *Center Back Panel*. Move the panel gently while exerting forward pressure and carefully push it toward the back wall.

Important Note: Great care must be taken when installing this panel. The watertight seal depends on the tongue being firmly inserted into the groove before the panel is pushed back into position and height alignment cannot be adjusted once the panel clicks into place.

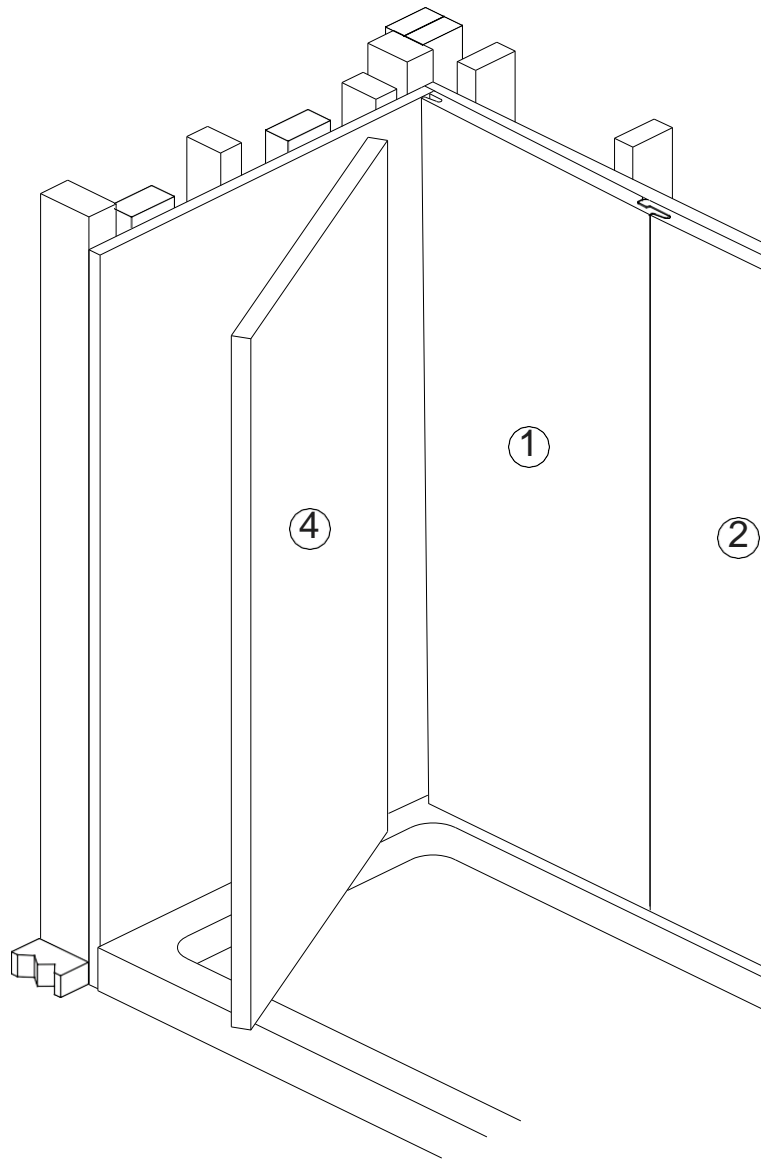


5. Press against the wall smoothing out any air bubbles along the entire area and then lightly tap on wall panel with a rubber mallet from top to bottom to ensure it is tightly connected to the wall.

7 **INSTALL LEFT WALL PANEL**

Important Note: The arrows on the label on the back of each panel indicate the TOP of the Panel.

1. Locate the panel labeled (4) *Left Side Panel* and lay it down on a flat surface.
2. Based on your measurements from Step 1 (Measuring) cut the panel to the appropriate size and make any required plumbing cut-outs according to the instructions in Step 2 (Cutting).
3. Apply the double-sided tape and construction adhesive as explained in Step 3.
4. Peel off back of double-sided tape from the back of the beveled edge wall panel.
5. Position the panel at approximately 30 degrees, push the panel edge into the corner and then carefully push the panel back towards the wall.

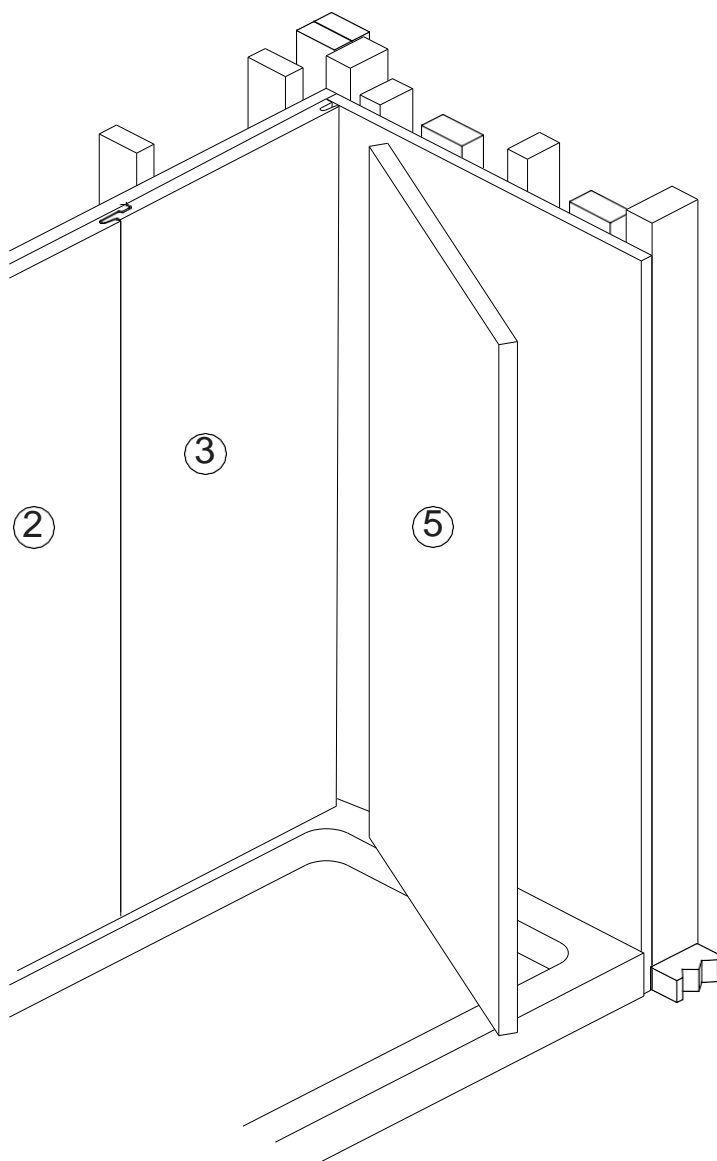


6. Press against the wall smoothing out any air bubbles along the entire area and then lightly tap on wall panel with a rubber mallet from top to bottom to ensure it is tightly connected to the wall.

8 **INSTALL RIGHT SIDE WALL PANEL**

Important Note: The arrows on the label on the back of each panel indicate the TOP of the Panel.

1. Lay (5) *Right Side Panel* down on a flat surface.
2. Based on your measurements from Step 1(Measuring) cut the panel to the appropriate size and make any required plumbing cut-outs according to the instructions in Step 2 (Cutting).
3. Apply the double-sided tape and construction adhesive as explained in Step 3.
4. Peel of back of double-sided tape from the back of the beveled edge wall panel.
5. Position the panel at approximately 30 degrees, push the panel edge into the corner and then carefully push the panel back towards the wall.



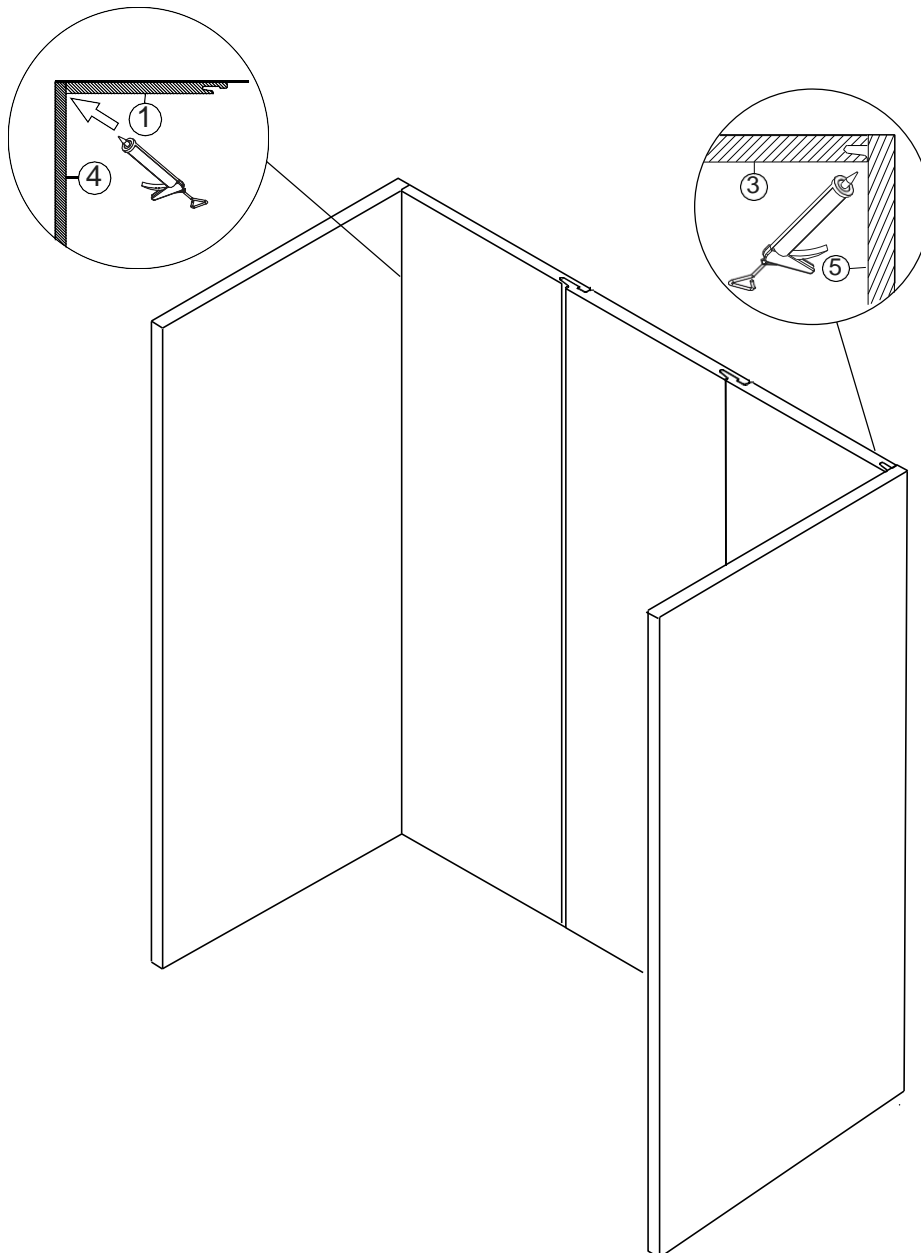
6. Press against the wall smoothing out any air bubbles along the entire area and then lightly tap on wall panel with a rubber mallet from top to bottom to ensure it is tightly connected to the wall.

9 CAULK CORNERS AND EDGES

Properly caulk around the Jetcoat® Shower Wall System to insure a secure fit and finish. This includes but is not limited to:

- Interior corners where shower walls meet
- Corners where the walls meet the base.
- Outer edge of Side Wall Panels
- (Optional) Caulking along the top edge of the entire enclosure is not required but may help contribute to a finished look.

Important Note: Please keep the entire area dry for a minimum of 24 hours to allow the caulk and construction adhesive to properly cure.





Square & Rectangular Shower Wall Kits

Warranty

The distributor warrants to the original purchaser that this fixture will be free of manufacturing defects, which affect its performance as a bathing or showering fixture, under the following conditions and subject to the limitations contained in the "Remedies" and "Warranty Limitations" sections. The Limited Warranty applies for 10 years from the date of purchase if the fixture is used in a residential owner-occupied building for non-commercial purposes or for 2 years from the date of purchase if it is used in any other building, including any building used for rental, commercial or business purposes. This Limited Warranty is void if the fixture is not installed in accordance with the installation instructions supplied by the distributor, or local building codes and ordinances, or if the care and cleaning instructions supplied by the distributor are not followed. This Limited Warranty is also void if the fixture is moved from the location of its initial installation or is subjected to accident, abuse, or misuse. The Limited Warranty excludes normal wear and tear. This Limited Warranty shall be void unless any failure or non-conformance is discovered before the expiration of this warranty, and is reported to the distributor, in writing, accompanied by the original proof of purchase, within 30 days of discovery.

REMEDIES - The original purchaser's remedy under this Limited Warranty is limited to the repair, replacement or refund of the purchase price of the fixture, at the distributor's sole option, of any part of the fixture that has failed or does not conform to the manufacturer's specifications, limited to, damage to or loss of use of the building or its contents, arising out of any defect in the fixture nor shall the distributor be liable for any amount in excess of the original purchase price of the fixture. The distributor reserves the right to require the return, at purchaser's expense, of the damaged fixture for repair or exchange before providing services under this Limited Warranty. If the distributor elects to replace the fixture, its obligation is limited to supplying a replacement unit or component part of comparable size and style, and does not include the cost of removal, installation or transportation, which must be borne by the purchaser. Replacement parts provided under this Limited Warranty are warranted for the remainder of the original warranty period applicable to the fixture, as if such parts were original components of that fixture.

WARRANTY LIMITATIONS - THERE ARE NO WARRANTIES THAT EXTEND BEYOND THE DESCRIPTION ON THE FACE HERE OF IMPLIED WARRANTIES, INCLUDING THOSE OF MERCHANTABILITY OR FITNESS FOR A PARTICULAR PURPOSE, ARE EXPRESSLY DISCLAIMED. THE DISTRIBUTOR DISCLAIMS ANY AND ALL LIABILITY FOR SPECIAL, INCIDENTAL OR CONSEQUENTIAL DAMAGES. Some states do not allow limitations of incidental or consequential damages, so the above limitations and exclusions may not apply to you. In such states, the distributors' liability shall be limited to the extent permitted by state law. ANY IMPLIED WARRANTIES ARISING BY WAY OF STATE LAW, INCLUDING ANY IMPLIED WARRANTY OF MERCHANTABILITY OR ANY IMPLIED WARRANTY OF FITNESS FOR A PARTICULAR PURPOSE, ARE LIMITED IN DURATION AND IN SCOPE OF COVERAGE TO THE TERMS OF THIS LIMITED WARRANTY, UNLESS A SHORTER PERIOD IS ALLOWED BY LAW.

ATTENTION
CONSUMER:

IMPORTANT WARRANTY INFORMATION

PLEASE DO NOT DISCARD

Thank you for your purchase.

In order to be eligible for product warranty, please register your door on our website within two (2) weeks of installation.

Go to:

<https://www.luxartcollection.com/pages/register-warranty>

Or scan the QR Code below and follow the instructions.



For any questions or comments
about your purchase,
please contact our Customer Service at:
customerservice@luxartcollection.com



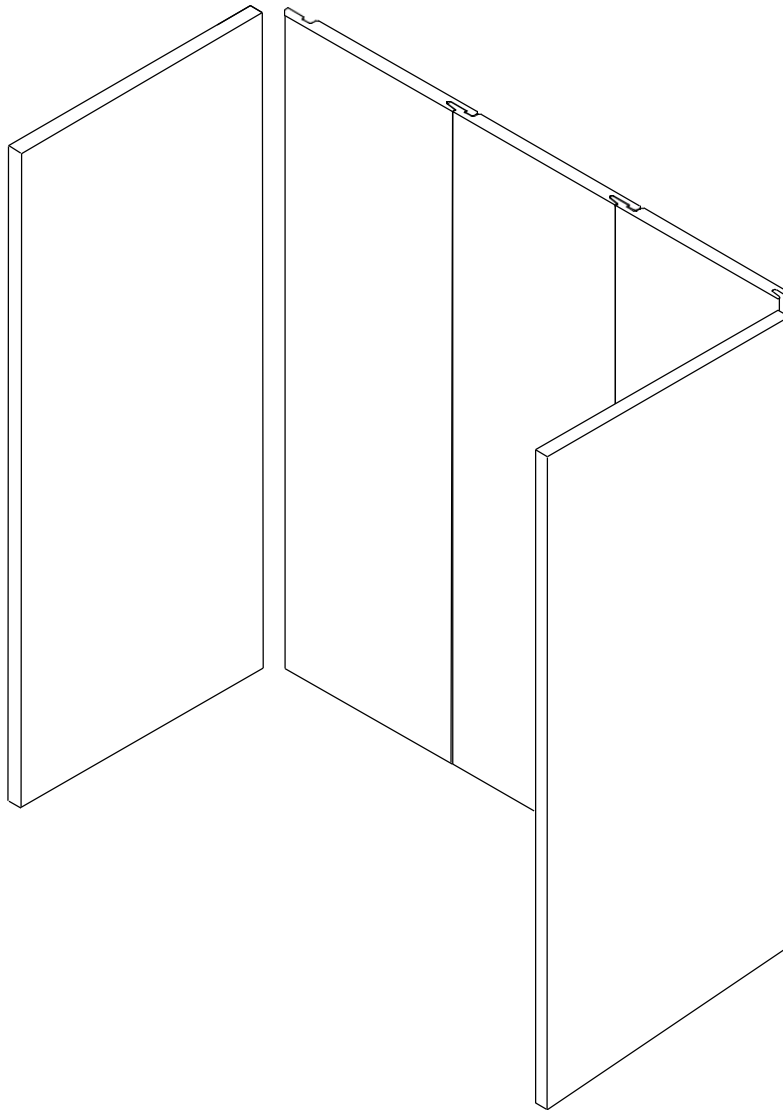


MODELO NÚM.: LXSW6036

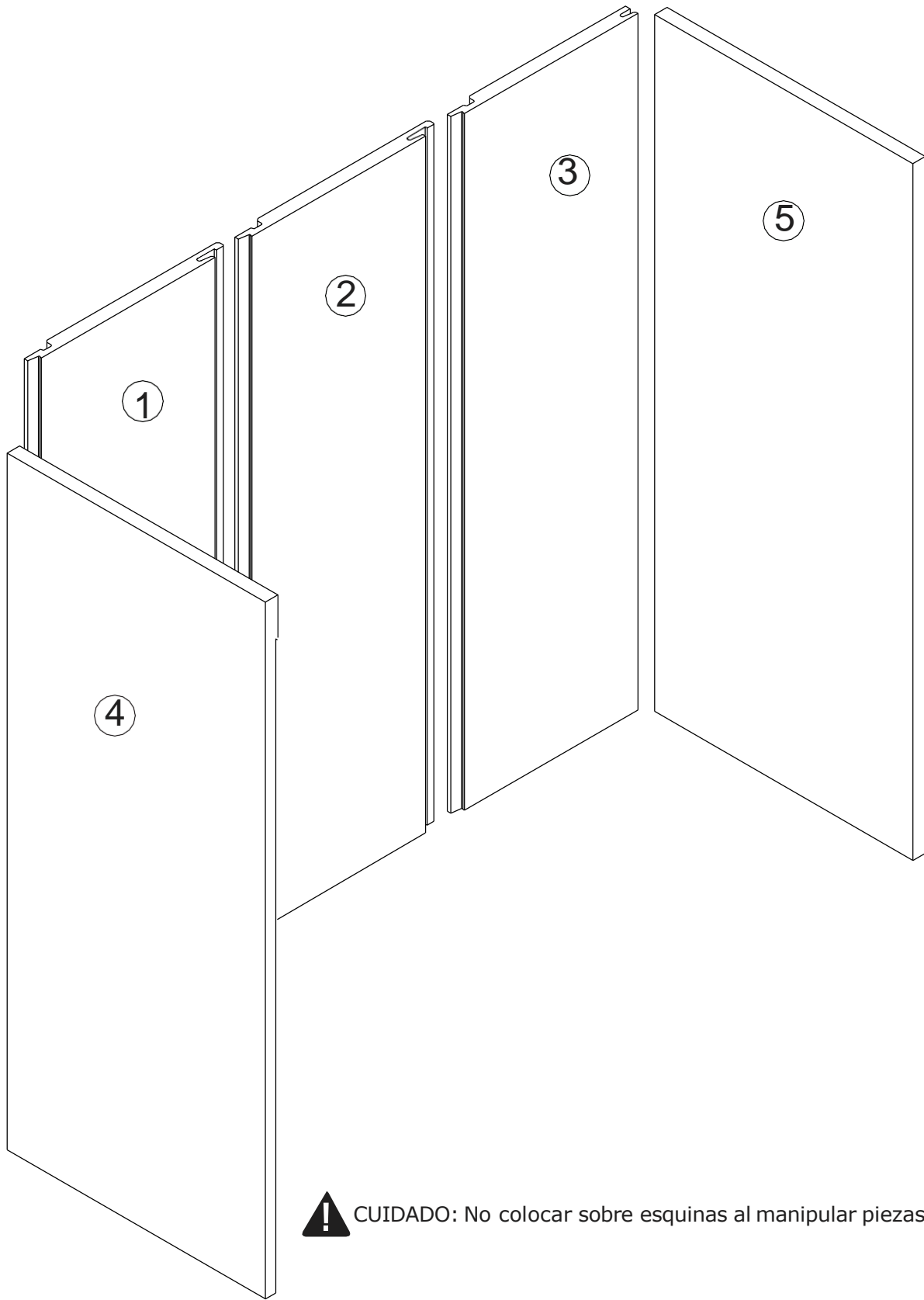
LEE DETENIDAMENTE LAS INSTRUCCIONES

Familiarízate con todas las piezas tal como se muestran en la vista ampliada. La vista ampliada sirve también como útil referencia para conocer la ubicación de varias piezas y cómo se instalan.

COPIA EL NÚMERO DE MODELO PARA TUS REGISTROS AQUÍ #

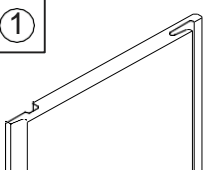
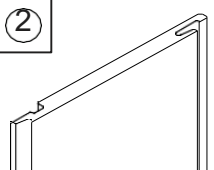
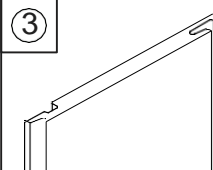
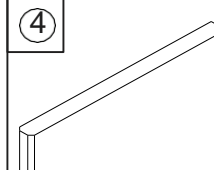
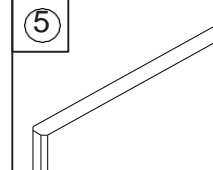
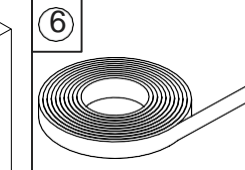


Need Help? If you have any questions or concerns, please email: customerservice@luxartcollection.com
Por favor. Si tiene alguna pregunta o duda, envíe un correo electrónico: customerservice@luxartcollection.com

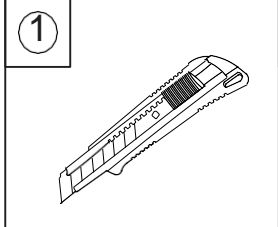
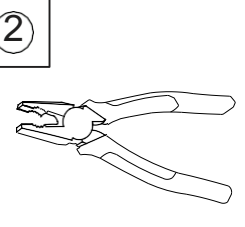
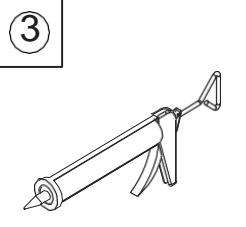
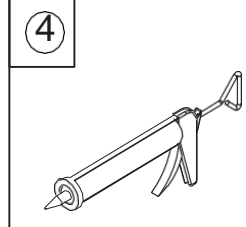
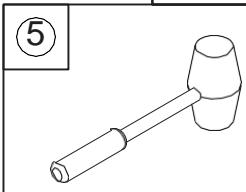
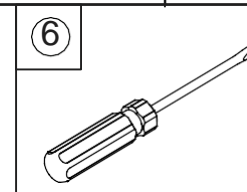
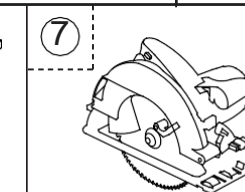
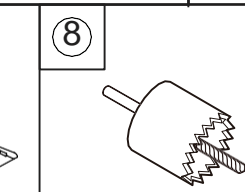
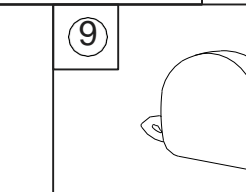


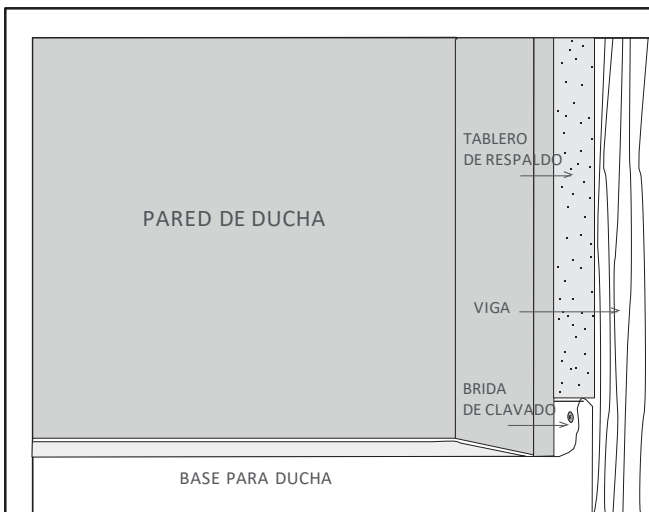
CUIDADO: No colocar sobre esquinas al manipular piezas de pared

LISTA DE PIEZAS

					
PANEL 1 PANEL POSTERIOR IZQUIERDO	PANEL 2 PANEL POSTERIOR CENTRAL	PANEL 3 PANEL POSTERIOR DERECHO	PANEL 4 PANEL LATERAL DERECHO	PANEL 5 PANEL IZQUIERDO LATERAL	DOBLE CARA CINTA ADHESIVA PARA CONSTRUCCIÓN

HERRAMIENTAS RECOMENDADAS

				
Cuchillo multiuso	Tenazas de bloqueo	Adhesivo para construcción	Silicona	
				
Martillo de goma	Destornillador plano	Sierra circular	Sierra cilíndrica	Cinta de medir



NOTA: INSTALACIÓN DE LA BASE DE LA DUCHA

Cuando se usa junto con una base de ducha que tiene una brida de clavado, el sistema de pared de ducha Jetcoat® está diseñado para instalarse como se muestra en el dibujo. La brida de clavado de la base debe fijarse directamente a los montantes desnudos con un tablero de respaldo unido a los montantes sobre la brida de clavado. Las paredes Jetcoat® se instalan sobre el tablero de respaldo extendiéndose hacia abajo de frente a la brida de clavado y descansando sobre la base. No instalar la base en esta configuración puede causar problemas al instalar las paredes Jetcoat®.

CONSEJOS DE PREPARACIÓN

Antes de instalar el producto, asegúrate de tener todas las piezas. Compara las piezas con la lista de contenido del paquete. Si alguna pieza falta o está dañada, no intentes ensamblar o instalar el producto.

•Comienza midiendo el ancho total de la pared trasera después de haberla limpiado y preparado para la instalación.

•Si la altura total de las paredes traseras y/o laterales sobre la bañera o la base de la ducha es menor que la altura de los paneles, se pueden cortar fácilmente para que quepan.

• Cierra el suministro de agua.

•Retira todos los herrajes y decoraciones de la ducha, incluyendo, aunque sin limitarse a: Llaves de grifos, escudetes, caños de llenado, toalleros y jaboneras.

•Todo el trabajo eléctrico y de plomería dentro de las paredes tiene que terminarse antes de comenzar la instalación de los paneles de pared.

•Las paredes deben ser sólidas y rectas a plomada, en ángulo recto con desviación máxima de 1/8plg (3 mm). El Sistema de Pared para Ducha ha sido diseñado para permitir el uso de molduras que corrijan pequeños problemas de alineación.

•La superficie de montaje debe estar limpia y preparada, de acuerdo con el procedimiento de instalación.

•Si piensas instalar un accesorio empotrado, recorta el panel como corresponda después de instalado por completo y de pasado el tiempo adecuado para adherirse a la pared. Recuerda tener en cuenta las vigas de pared al colocar el accesorio.

CONSEJOS PARA EL USO DE PASTA SELLADORA:

•Sigue las instrucciones que aparecen en el tubo de la pasta selladora seleccionada.

•Una vez terminado el proyecto, revisa todas las áreas donde se ha aplicado pasta selladora para ver si hay grietas o huecos que necesiten rellenarse.

•Retira el exceso de pasta selladora usando un paño limpio y alcohol desnaturalizado. Ten cuidado de no dañar las uniones de pasta selladora.

PROCEDIMIENTO DE INSTALACIÓN:

El Sistema de Pared para Ducha puede instalarse sobre una variedad de productos. Consulta a un contratista profesional si piensas colocar los paneles sobre una superficie diferente a las descritas aquí.

CEMENTO/CONCRETO:

•Dependiendo de la condición (planicie) de la pared existente, es posible que se requiera silicona adicional para asegurar adecuadamente los paneles de la pared al sustrato.

•La superficie tiene que estar completamente limpia. Esto incluye, aunque no se limita a: Sedimentos de jabón, polvo y otros contaminantes que pueden afectar la adherencia. No hace falta quitar las losas de cerámica si están bien adheridas.

•Se recomienda: Toda el área tiene que sellarse con dos capas de sellador a base de agua o aceite para garantizar la adhesión adecuada del Sistema de Pared para Ducha.

•Después de que el sellador se haya secado completamente, termina la instalación de los paneles de pared siguiendo el manual de instrucciones.

MASONITA:

•La superficie tiene que estar completamente limpia. Esto incluye, aunque no se limita a: Sedimentos de jabón, polvo y otros contaminantes que pueden afectar la adherencia.

•Opcional: Toda el área tiene que sellarse con dos capas de sellador a base de agua o aceite para garantizar la adhesión adecuada del Sistema de Pared para Ducha.

•Después de que el sellador se haya secado completamente, termina la instalación de los paneles de pared siguiendo el manual de instrucciones.

LOSA VIEJA:

IMPORTANTE: Todas las losas plásticas tienen que retirarse. No hace falta quitar las losas de cerámica viejas si están bien adheridas.

•Dependiendo de la condición (planicie) de la pared existente, es posible que se requiera silicona adicional para asegurar adecuadamente los paneles de la pared al sustrato.

•Retira y/o fija adecuadamente cualquier losa de cerámica suelta.

•Retira todos los accesorios de losa que estén sujetos a la pared. La superficie tiene que estar completamente limpia. Esto incluye, aunque no se limita a: sedimentos de jabón, polvo y otros contaminantes que pueden afectar la adherencia.

•Completa la instalación de la pared de ducha siguiendo el manual de instrucciones.

YESO:

•Puede que se requiera silicona adicional para asegurar bien el sustrato y el panel de pared, en función de la condición misma de la pared existente.

•Alisa los acabados texturizados y/o ondulados con una lija.

•La superficie tiene que estar completamente limpia. Esto incluye, aunque no se limita a: sedimentos de jabón, polvo y otros contaminantes que pueden afectar la adherencia.

•Se recomienda: Toda el área tiene que sellarse con dos capas de sellador a base de agua o aceite para garantizar la adhesión adecuada del Sistema de Pared para Ducha.

•Después de que el sellador se haya secado completamente, termina la instalación de los paneles de pared siguiendo el manual de instrucciones.

SHEETROCK/YESO IMPERMEABLE/ PLACA DE CEMENTO/MADERA:

•La superficie debe estar completamente limpia y libre de residuos de jabón, polvo y cualquier otro contaminante que pueda afectar la adherencia.

•Opcional: Toda el área tiene que sellarse con dos capas de sellador a base de agua o aceite para garantizar la adhesión adecuada del Sistema de Pared para Ducha.

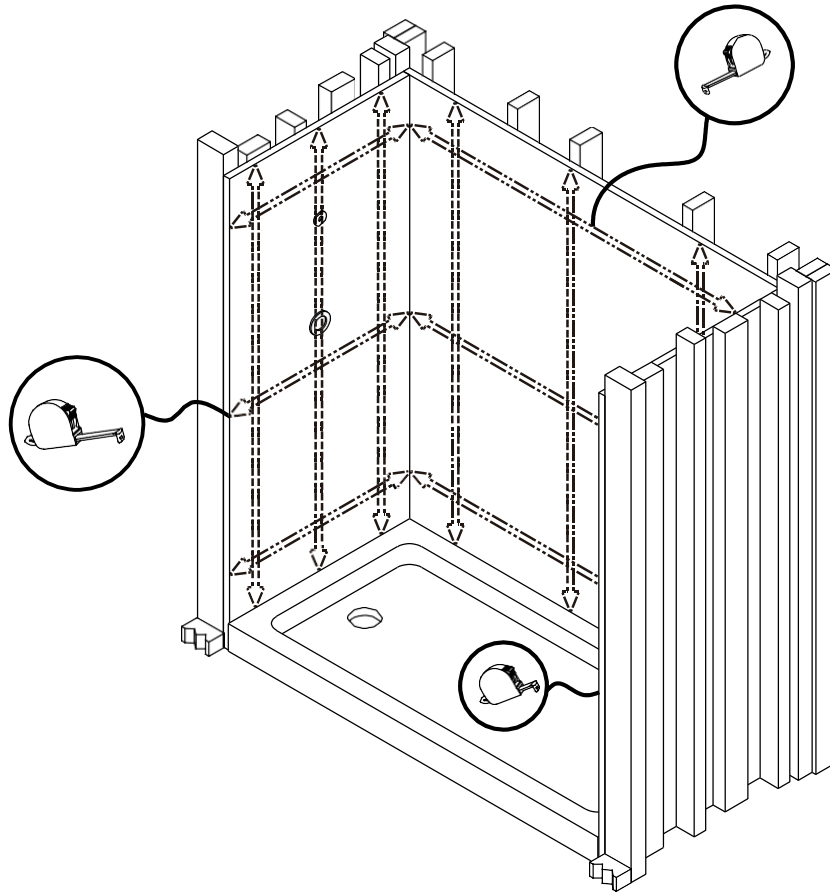
•Después de que el sellador se haya secado completamente, termina la instalación de los paneles de pared siguiendo el manual de instrucciones.

1 CÓMO MEDIR

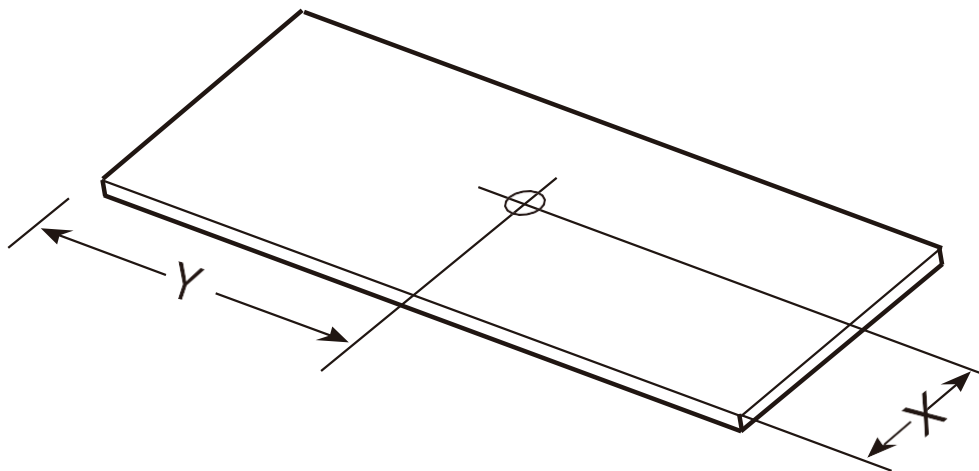
1. Mide la altura del área de instalación en ambos extremos de cada pared. Desde la parte superior de la bañera o plato de la ducha hasta el techo. Si la altura del techo es menor que la altura de los paneles incluidos en el kit, los paneles se pueden cortar usando el mismo procedimiento de corte descrito en el Paso 2.

2. Mide el ancho de cada pared en la parte superior e inferior del área de instalación.

Nota importante: Los pasos 2 y 3 se repetirán al instalar cada uno de los 5 paneles de pared.



3. Mide las ubicaciones de los recortes para los accesorios de plomería y márcalos en la parte posterior de los paneles apropiados.

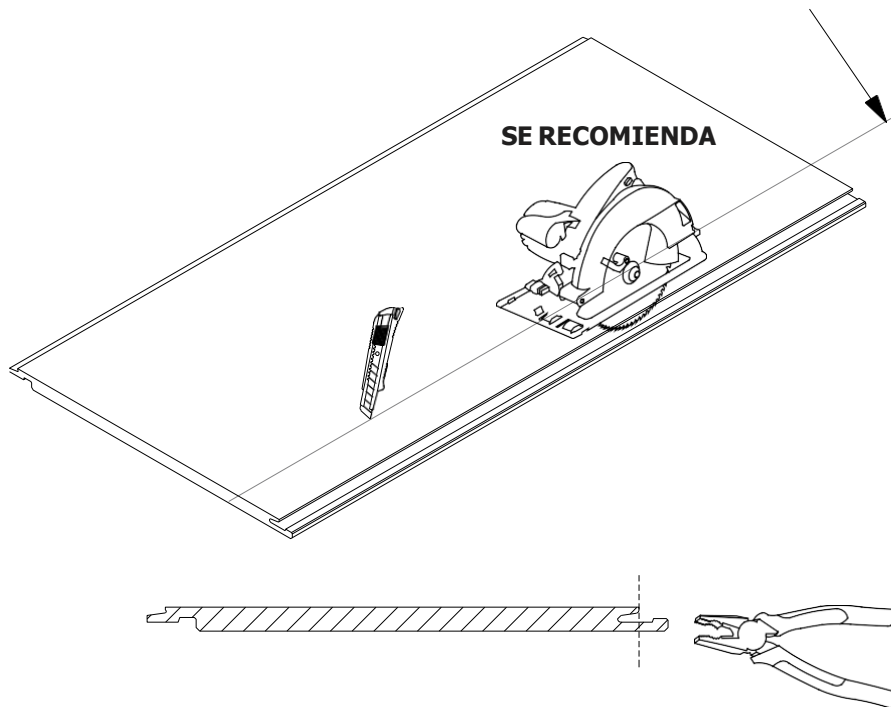


2 CÓMO CORTAR

Nota importante: Las flechas en la etiqueta en la parte posterior de cada panel indican la PARTE SUPERIOR del panel. Las siguientes instrucciones de cómo cortar deben usarse al hacer todos los cortes.

Cortar los paneles a la medida:

1. Traza con cuidado una línea en la parte posterior de cada panel donde se realizará el corte. Se debe considerar cualquier ajuste por falta de escuadra o plomada al trazar esta línea.
Nota: Se recomienda enfáticamente utilizar una regla cuando sea posible.
2. Se recomienda la sierra circular para realizar los cortes necesarios. Si usas un cuchillo, marca la línea varias veces y luego usa alicates de bloqueo para romper el excedente de la pieza como se muestra.



Cortes para la plomería:

Utiliza un taladro y una sierra de perforación del tamaño adecuado para hacer los cortes para la ducha, caño de llenado, las manijas del grifo y/o cualquier otro corte necesario para la plomería que ya esté en las paredes.

Nota: Para asegurarte de que las medidas sean las correctas, haz una plantilla de cartón para probar los cortes para la plomería antes de cortar los paneles JETCOAT®.

Importante: El taladro puede dañar la superficie del panel de pared Jetcoat®. Taladra los orificios desde la parte posterior del panel.

Accesorios empotrados:

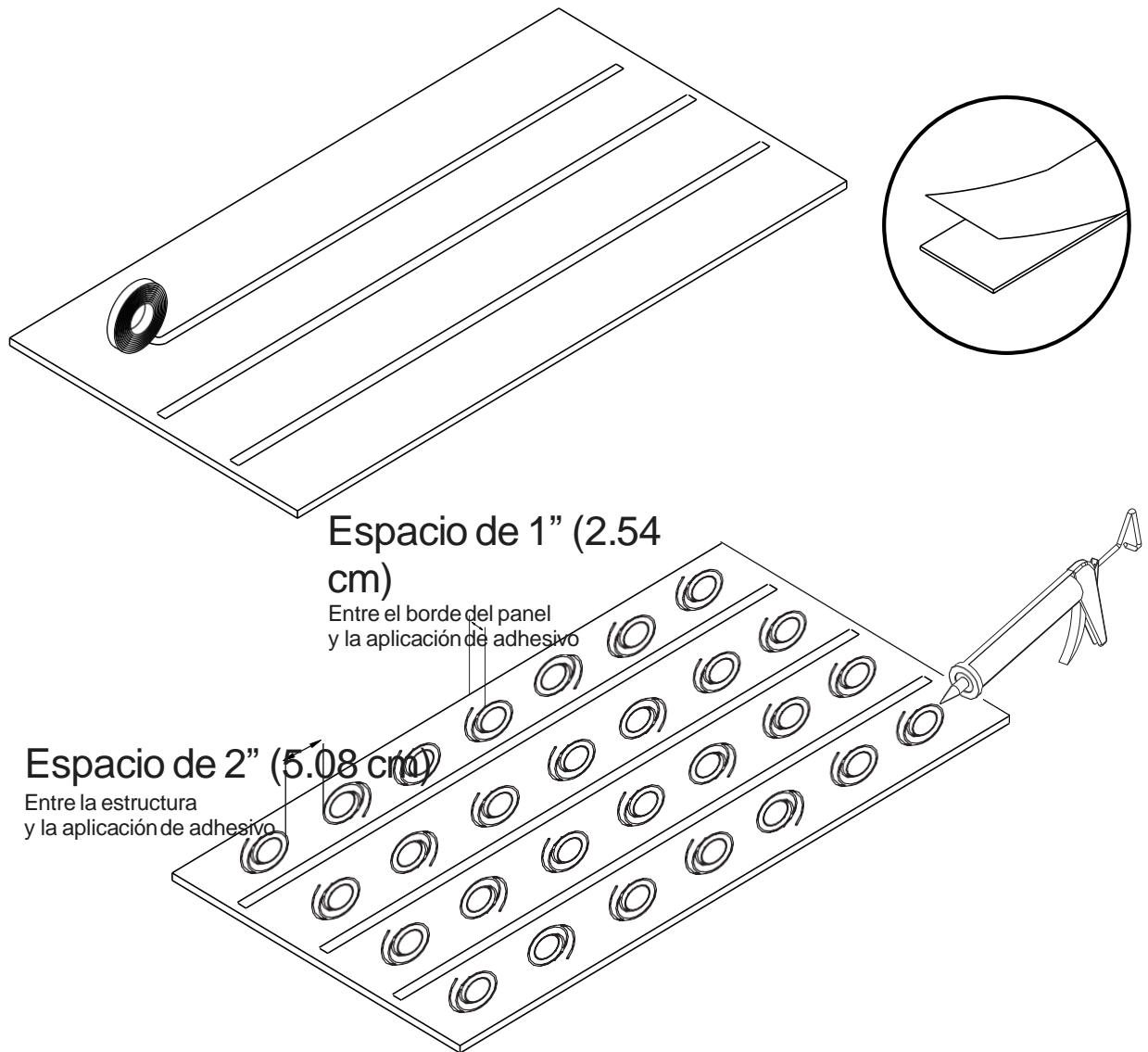
Si piensas instalar un accesorio empotrado, recorta el panel como corresponda después de instalado por completo y de transcurrido el tiempo adecuado para adherirse a la pared. Recuerda tener en cuenta las vigas de pared al colocar el accesorio.

3 CÓMO APLICAR ADHESIVO Y CINTA ADHESIVA A LA PARTE POSTERIOR DE LOS PANELES DE PARED

Se deben usar las siguientes instrucciones al aplicar cinta y adhesivo a cada panel de pared.

1. Aplica cinta adhesiva de construcción de doble cara en la parte posterior del panel de pared como se muestra.
2. Aplica adhesivo para construcción en los espacios entre la cinta tal como se muestra en un patrón circular. Las líneas de adhesivo deben estar a 2" (5.08 cm) de distancia y hasta, pero no más cerca de 1" (2.54 cm) del borde del panel.

Importante: El patrón circular es fundamental para una adherencia adecuada.



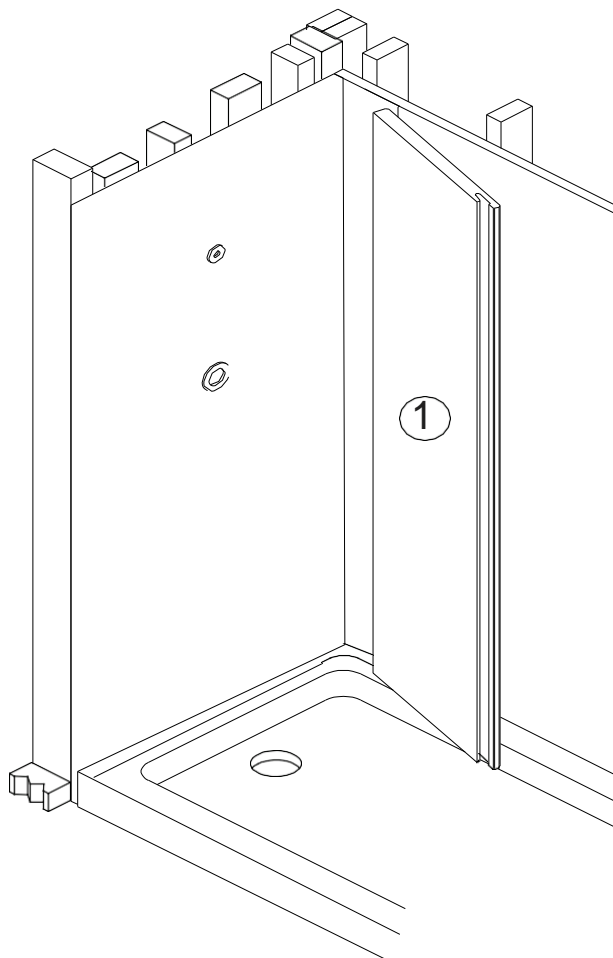
4 INSTALA EL PANEL DE PARED POSTERIOR IZQUIERDO

Nota importante: No instalar los paneles de la pared trasera en el orden correcto puede hacer que el patrón a lo largo de la pared trasera no parezca continuo.

Nota importante: Las flechas en la etiqueta en la parte posterior de cada panel indican la PARTE SUPERIOR del panel.

Nota: Tu kit contiene 3 paneles posteriores de pared (etiquetados en la parte posterior como (1) *Panel posterior izquierdo* (2) *Panel posterior central* (3) *Panel posterior derecho* y dos paneles de los extremos (etiquetados (4) *Panel lateral izquierdo* y (5) *Panel lateral derecho*).

1. Localiza el panel etiquetado (1) *panel posterior izquierdo* y colócalo sobre una superficie plana.
2. Según las medidas del Paso 1 (Medición), corta el panel al tamaño apropiado y haz los cortes de plomería necesarios de acuerdo con las instrucciones del Paso 2 (Corte).
3. Aplica la cinta de doble cara y el adhesivo de construcción como se explica en el Paso 3.
4. Despega la parte posterior de la cinta de doble cara de la parte posterior del panel. Coloca el panel aproximadamente a 30 grados, presiona el borde cortado hacia la esquina y luego empuja con cuidado el panel hacia la pared trasera.



5. Empuja el panel firmemente contra la pared para eliminar las burbujas de aire a lo largo de toda el área y luego golpea ligeramente el panel con un martillo de goma de arriba a abajo para asegurarte de que esté bien fijo a la pared.

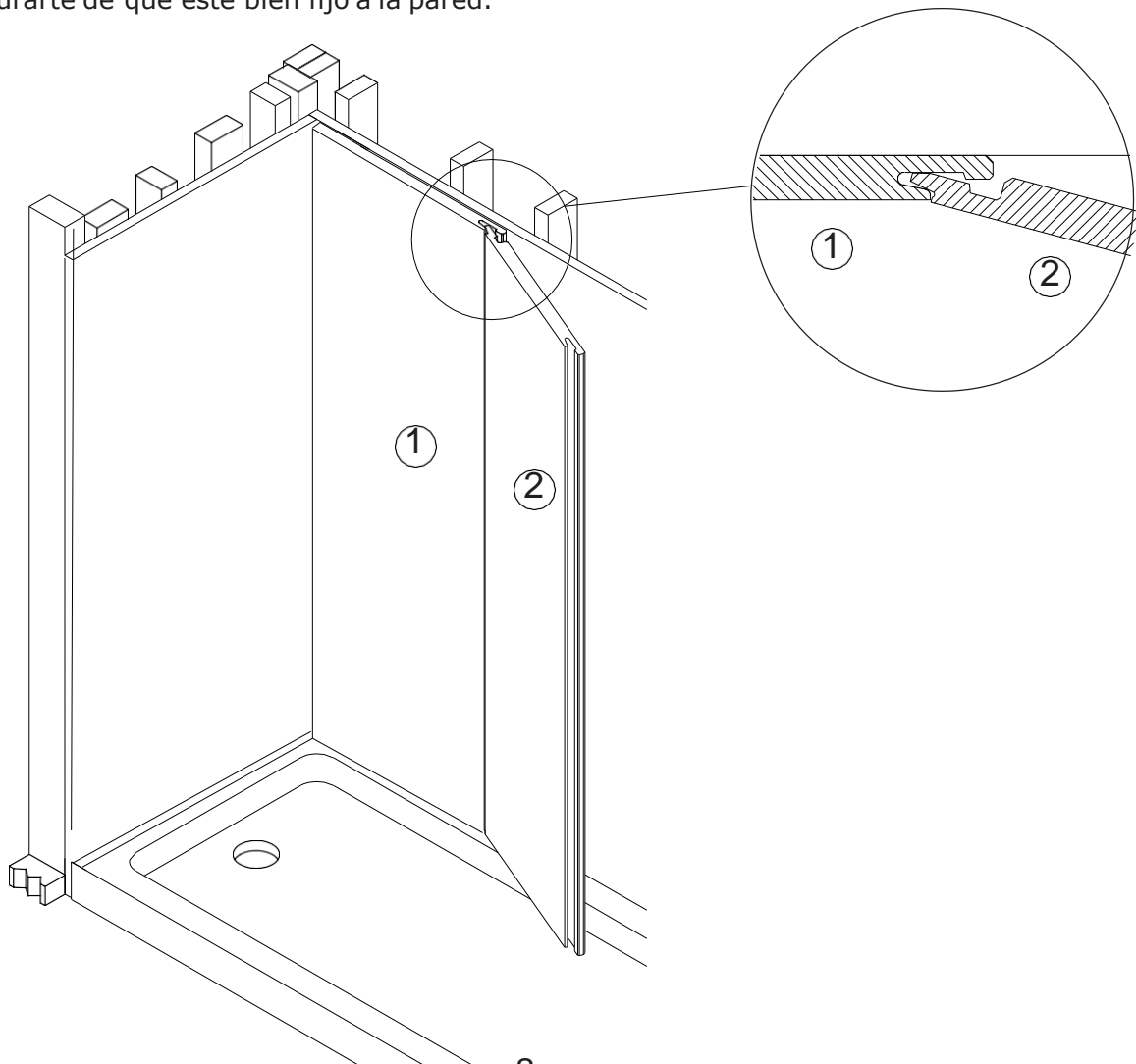
5 INSTALA EL PANEL POSTERIOR DE PARED CENTRAL

Nota importante: Las flechas en la etiqueta en la parte posterior de cada panel indican la PARTE SUPERIOR del panel.

1. Localiza el panel etiquetado (2) *panel posterior central* y colócalo sobre una superficie plana.
2. Según las medidas del Paso 1 (Medición), recorta la altura, si es necesario, y haz los cortes para la plomería necesarios de acuerdo con las instrucciones del Paso 2 (Corte).
3. Aplica la cinta de doble cara y el adhesivo de construcción como se explica en el Paso 3.
4. Despega la parte posterior de la cinta de doble cara de la parte posterior del panel. Coloca el panel en un ángulo de aproximadamente 45 grados y empuja con cuidado el borde de la lengüeta dentro de la ranura en el borde trasero del (1) *panel posterior izquierdo*. Mueve el panel suavemente mientras ejerces presión hacia adelante y empuja con cuidado hacia la pared posterior.

Nota importante: Se debe tener mucho cuidado al instalar este panel. El sello hermético depende de que la lengüeta se inserte firmemente dentro de la ranura antes de que el panel se vuelva a colocar en su posición y la alineación de la altura no se puede ajustar una vez que el panel hace clic en su sitio.

5. Empuja el panel firmemente contra la pared para eliminar las burbujas de aire a lo largo de toda el área y luego golpea ligeramente el panel con un martillo de goma de arriba a abajo para asegurarte de que esté bien fijo a la pared.

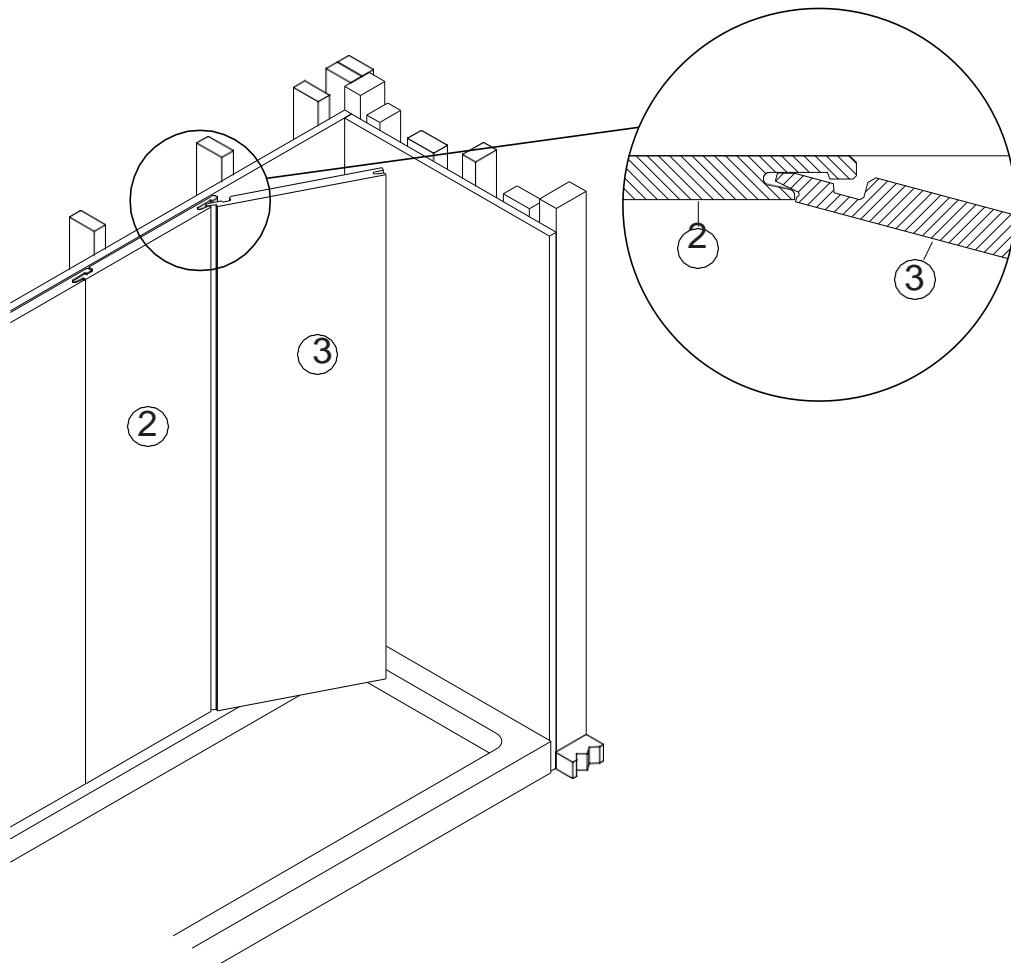


6 INSTALA EL PANEL TRASERO DE PARED DERECHA

Nota importante: Las flechas en la etiqueta en la parte posterior de cada panel indican la PARTE SUPERIOR del panel.

1. Localiza el panel etiquetado (3) *panel posterior derecho* y colócalo sobre una superficie plana.
2. Según las medidas del Paso 1 (Medición), corta el panel al tamaño apropiado y haz los cortes de plomería necesarios de acuerdo con las instrucciones del Paso 2 (Corte).
3. Aplica la cinta de doble cara y el adhesivo de construcción como se explica en el Paso 3.
4. Despega la parte posterior de la cinta de doble cara de la parte posterior del panel. Coloca el panel en un ángulo de aproximadamente 45 grados y empuja con cuidado el borde de la lengüeta dentro de la ranura en el borde trasero del (2) *panel posterior central*. Mueve el panel suavemente mientras ejerces presión hacia adelante y empuja con cuidado hacia la pared posterior.

Nota importante: Se debe tener mucho cuidado al instalar este panel. El sello hermético depende de que la lengüeta se inserte firmemente dentro de la ranura antes de que el panel se vuelva a colocar en su posición y la alineación de la altura no se puede ajustar una vez que el panel hace clic en su sitio.

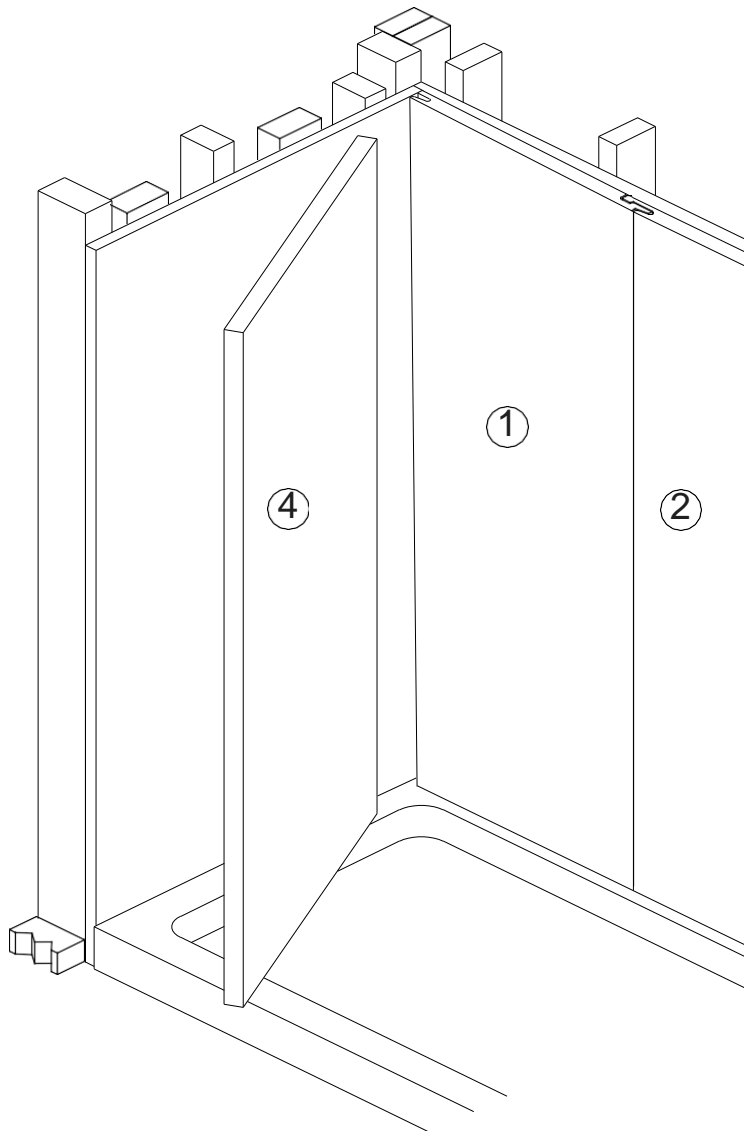


5. Empuja el panel firmemente contra la pared para eliminar las burbujas de aire a lo largo de toda el área y luego golpea ligeramente el panel con un martillo de goma de arriba a abajo para asegurarte de que esté bien fijo a la pared.

7 INSTALA EL PANEL DE PARED IZQUIERDO

Nota importante: Las flechas en la etiqueta en la parte posterior de cada panel indican la PARTE SUPERIOR del panel.

1. Localiza el panel etiquetado (4) *panel lateral izquierdo* y colócalo sobre una superficie plana.
2. Según las medidas del Paso 1 (Medición), corta el panel al tamaño apropiado y haz los cortes de plomería necesarios de acuerdo con las instrucciones del Paso 2 (Corte).
3. Aplica la cinta de doble cara y el adhesivo de construcción como se explica en el Paso 3.
4. Despega la parte posterior de la cinta de doble cara de la parte posterior del panel de pared con borde biselado.
5. Coloca el panel a aproximadamente 30 grados, empuja el borde del panel hacia la esquina y luego empuja con cuidado el panel hacia la pared.

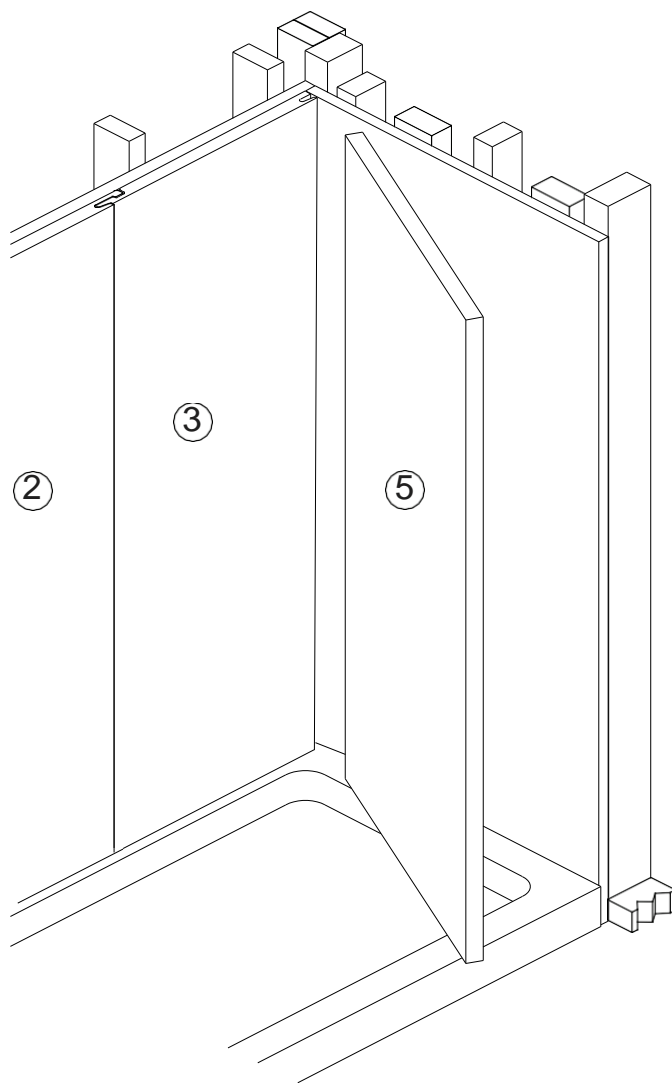


6. Empuja el panel firmemente contra la pared para eliminar las burbujas de aire a lo largo de toda el área y luego golpea ligeramente el panel con un martillo de goma de arriba a abajo para asegurarte de que esté bien fijo a la pared.

8 INSTALA EL PANEL LATERAL DE PARED LATERAL DERECHO

Nota importante: Las flechas en la etiqueta en la parte posterior de cada panel indican la PARTE SUPERIOR del panel.

1. Coloca (5) el *panel lateral derecho* sobre una superficie plana.
2. Según las medidas del Paso 1 (Medición), corta el panel al tamaño apropiado y haz los cortes de plomería necesarios de acuerdo con las instrucciones del Paso 2 (Corte).
3. Aplica la cinta de doble cara y el adhesivo de construcción como se explica en el Paso 3.
4. Despega la parte posterior de la cinta de doble cara de la parte posterior del panel de pared con borde biselado.
5. Coloca el panel a aproximadamente 30 grados, empuja el borde del panel dentro de la esquina y luego empuja con cuidado el panel hacia la pared.



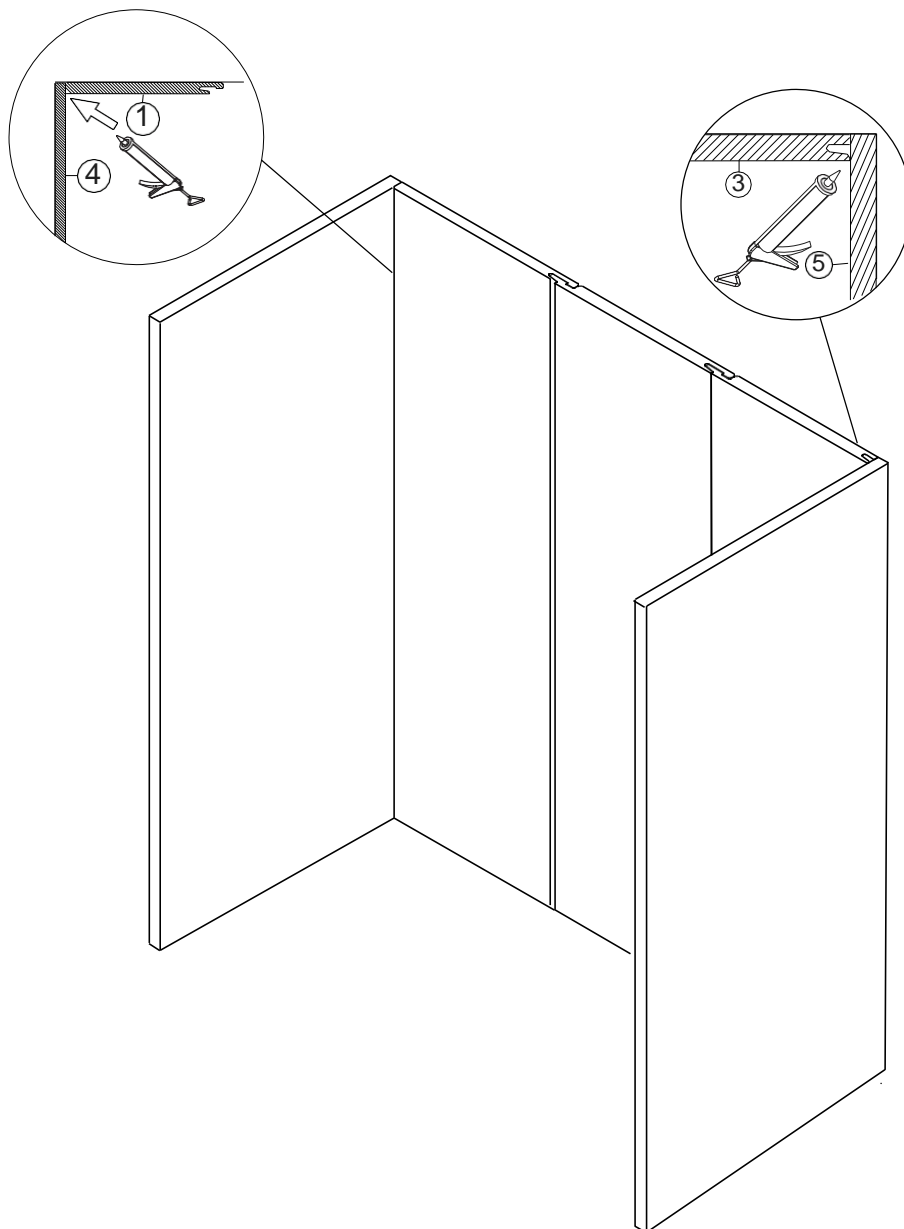
6. Empuja el panel firmemente contra la pared para eliminar las burbujas de aire a lo largo de toda el área y luego golpea ligeramente el panel con un martillo de goma de arriba a abajo para asegurarte de que esté bien fijo a la pared.

9 APLICAR PASTA SELLADORA EN ESQUINAS Y BORDES

Coloca adecuadamente pasta selladora alrededor del Sistema de Pared para Ducha JETCOAT® a fin de garantizar acabado y ajuste seguros. Esto incluye pero no se limita a:

- Esquinas interiores donde se juntan las paredes de la ducha.
- Esquinas donde las paredes se encuentran con la base.
- Borde exterior de los paneles de pared lateral.
- (Opcional) No se requiere aplicar pasta selladora a lo largo del borde superior de todo el gabinete, pero puede ayudar a contribuir a un aspecto acabado.

Nota importante: Mantén toda el área seca durante un mínimo de 24 horas para permitir que la pasta selladora y el adhesivo de construcción fragüen apropiadamente.



Garantía

El distribuidor garantiza al comprador original que este ensamble no presentará defectos de fabricación, que afecten su rendimiento como bañera o ducha, en las siguientes condiciones y sujeto a las limitaciones incluidas en las secciones "Resarcimientos" y "Limitaciones de la garantía". La Garantía limitada se aplica durante 10 años a partir de la fecha de compra si el ensamble se usa en un edificio residencial ocupado por el propietario sin fines comerciales o durante 2 años a partir de la fecha de compra si se usa en cualquier otro edificio, incluido cualquier edificio con fines de alquiler o comerciales. Esta Garantía limitada es nula si el ensamble no se instala de acuerdo con las instrucciones de instalación provistas por el distribuidor o los códigos y ordenanzas de construcción locales, o si no se siguen las instrucciones de cuidado y limpieza provistas por el distribuidor. Esta Garantía limitada también es nula si el ensamble se traslada de la ubicación de su instalación inicial o está sujeto a accidente, abuso o uso inadecuado. La Garantía limitada excluye el desgaste normal. Esta Garantía limitada se anulará, a menos que cualquier falla o incumplimiento se descubra antes de la caducidad de esta garantía y sea informado al distribuidor, por escrito, acompañado del comprobante de compra original, dentro de los 30 días siguientes al descubrimiento. RECURSOS: el recurso del comprador original bajo esta Garantía limitada se limita a la reparación, reemplazo o reembolso del precio de compra del ensamble, a juicio exclusivo del distribuidor, de cualquier parte del ensamble que haya fallado o no se ajuste a las especificaciones del fabricante, limitado a daños o pérdida de uso del edificio o su contenido, que surjan de cualquier defecto en el ensamble ni el distribuidor será responsable de ningún monto que exceda el precio de compra original del accesorio. El distribuidor se reserva el derecho a solicitar la devolución, a expensas del comprador, del ensamble dañado para su reparación o cambio antes de proporcionar servicios de acuerdo con esta Garantía limitada. Si el distribuidor opta por reemplazar el ensamble, su obligación se limita a proporcionar una unidad de reemplazo o pieza componente de tamaño y estilo comparables, y no incluye el costo de retiro, instalación o transporte, que debe ser asumido por el comprador. Las piezas de repuesto proporcionadas de acuerdo con esta Garantía limitada cuentan con una garantía durante el resto del período de garantía original aplicable al ensamble, como si dichas piezas fueran los componentes originales del ensamble. LIMITACIONES DE LA GARANTÍA: NO EXISTEN GARANTÍAS QUE SE EXTIENDAN MÁS ALLÁ DE LA DESCRIPCIÓN QUE APARECE AQUÍ DE LAS GARANTÍAS IMPLÍCITAS, INCLUIDAS AQUELLAS DE COMERCIALIZACIÓN O DE IDONEIDAD PARA UN PROPÓSITO ESPECÍFICO, QUE HAYAN SIDO NEGADAS EXPRESAMENTE. EL DISTRIBUIDOR SE DESLINDA DE CUALQUIER Y TODA RESPONSABILIDAD POR DAÑOS ESPECIALES, RESULTANTES O ACCIDENTALES. Algunos estados no permiten las limitaciones de los daños accidentales o resultantes, de modo que las limitaciones y exclusiones anteriores pueden no aplicarse en su caso. En dichos estados, la responsabilidad del distribuidor se limitará en la medida que lo permita la ley estatal. CUALQUIER GARANTÍA IMPLÍCITA QUE SURJA BAJO LA LEY ESTADAL, INCLUIDA CUALQUIER GARANTÍA IMPLÍCITA DE COMERCIALIZACIÓN O CUALQUIER GARANTÍA IMPLÍCITA DE IDONEIDAD PARA UN FIN PARTICULAR, ESTÁ LIMITADA EN DURACIÓN Y ALCANCE DE LA COBERTURA A LAS CONDICIONES DE ESTA GARANTÍA LIMITADA, AMENOS QUE LA LEY PERMITA UN PERÍODO MÁS CORTO.

ATENCIÓN CONSUMIDOR:

INFORMACIÓN IMPORTANTE SOBRE LA GARANTÍA

POR FAVOR, NO DESCARTAR

Gracias por su compra.

Para poder beneficiarse de la garantía del producto, registre su puerta en nuestra pagina del web en un plazo de dos (2) semanas tras la instalación.

Vaya a:

<https://www.luxartcollection.com/pages/register-warranty>

O escanee el código QR que aparece a continuación
y siga las instrucciones.



Para cualquier pregunta o comentario sobre su compra
póngase en contacto con nuestro Servicio de

Atención al Cliente en:

customerservice@luxartcollection.com