

Features

- Top-mounted joystick handle allows for both on/off actuation and temperature setting.
- Push joystick back to turn on; rock side to side for hot/cold.
- KOHLER® ceramic disc valves exceed industry longevity standards, ensuring durable performance for life.
- Aerator ensures a splash-free water flow.
- Includes plastic clicker drain with 1-1/4" metal tailpiece.
- 1.2 gpm (gallons per minute) maximum flow rate at 60 psi.
- Box includes: Assembled faucet, supply lines, escutcheon plate, drain.

Material

- Premium material construction for durability and reliability.
- KOHLER finishes featuring ScratchShield® technology withstand even the toughest daily use (Polished Chrome and Brushed Nickel finish only).
- Spot Repel™ finish resists fingerprints, smudges and water spots (Matte Black finish only).

Installation

- Single-hole or three-hole installation (escutcheon plate included).
- Simplified faucet assembly; mounting hardware requires no special tools.

Recommended Products/Accessories

- K-23726 Drain treatment
- K-23723 Faucet cleaner



ADA CSA B651 OBC

Codes/Standards




ASME A112.18.1/CSA B125.1
NSF/ANSI 61
NSF/ANSI 372
All applicable US Federal and State material regulations
DOE - Energy Policy Act 1992
EPA WaterSense®
California Energy Commission (CEC)
ADA
ICC/ANSI A117.1
CSA B651
OBC

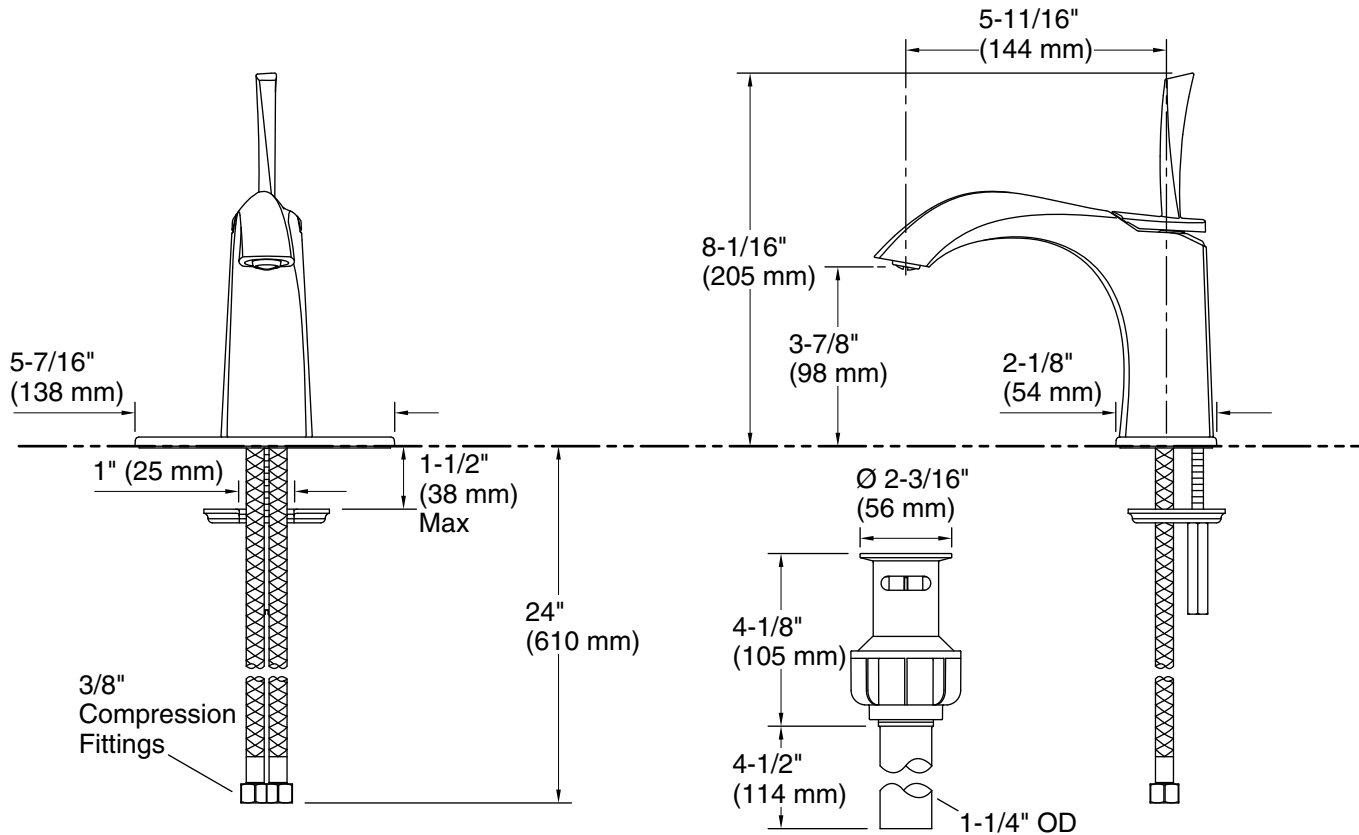
KOHLER® Faucet Lifetime Limited Warranty

See website for detailed warranty information.

Available Colors/Finishes

Color tiles intended for reference only.

Color	Code	Description
	CP	Polished Chrome
	BN	Vibrant® Brushed Nickel
	BL	Matte Black



Technical Information

All product dimensions are nominal.

Faucet:

- Flow rate: 1.2 gal/min (4.5 l/min)
- Pressure: 45 psi (3.1 bar)
- Valve body: Plastic
- Drain included: Yes
- Drain with overflow: Yes
- Drain tailpiece included: Yes

Spout:

- Spout reach: 5-11/16" (145 mm)
- Handle clearance: 2" (51 mm)
- Fixture pressure max (static): 125 psi (861.8 kPa)

Pressure and Supply Requirements

- Fixture pressure min (static): 20 psi (137.9 kPa)

Fixture Supply Requirements

- Min static pressure: 20 psi (137.9 kPa)

Notes

- Install this product according to the installation instructions.
- ADA, OBC, CSA B651 compliant when installed to the specific requirements of these regulations.