

Features

- Hybrid heater technology provides instant and unlimited warm water for consistent comfort.
- Stainless steel wand is automatically cleaned before and after each use.
- Waterproof seat (IPX5 rated) can be cleaned and rinsed with spray of water.
- Waterproof remote control (IPX7 rated) can be fully submerged for cleaning.
- Separate front and rear nozzles for maximum comfort and personalization.
- Three-level adjustable nozzle position, water temperature, and water pressure.
- Oscillating wash covers a wider area of cleansing.
- Turbo setting produces a massaging effect as water moves back and forth.
- Air bubble wash offers a soft, gentle wash with effective cleansing.
- Child mode with soft, gentle wash provides a safe experience.
- Warm-air dryer with three heat levels.
- Heated seat with three temperature levels.
- Soft-close seat and lid prevent slamming.
- Sittable lid for convenience.
- Powerful, chemical-free, carbon filter air deodorizer automatically minimizes odors.
- Energy-save function.
- One-touch detachable design for quick, easy cleaning.
- Stainless steel bidet wand includes an antimicrobial agent which inhibits growth of odor-causing bacteria, mold, and mildew. This product does not protect users against bacteria, viruses, or other disease organisms. Always clean and wash this product thoroughly before and after each use.



Codes/Standards


ASME A112.4.2/CSA B45.16
UL 1431
CSA C22.2 No. 64
CSA C22.2 No. 68

KOHLER® Intelligent Toilet and C3® Cleansing Seat Three-Year Limited Warranty

See website for detailed warranty information.

Available Colors/Finishes

Color tiles intended for reference only.

Color	Code	Description
	N0	Novita White

Technology

- Remote control with large, easy-to-read icons; can be wall-mounted.

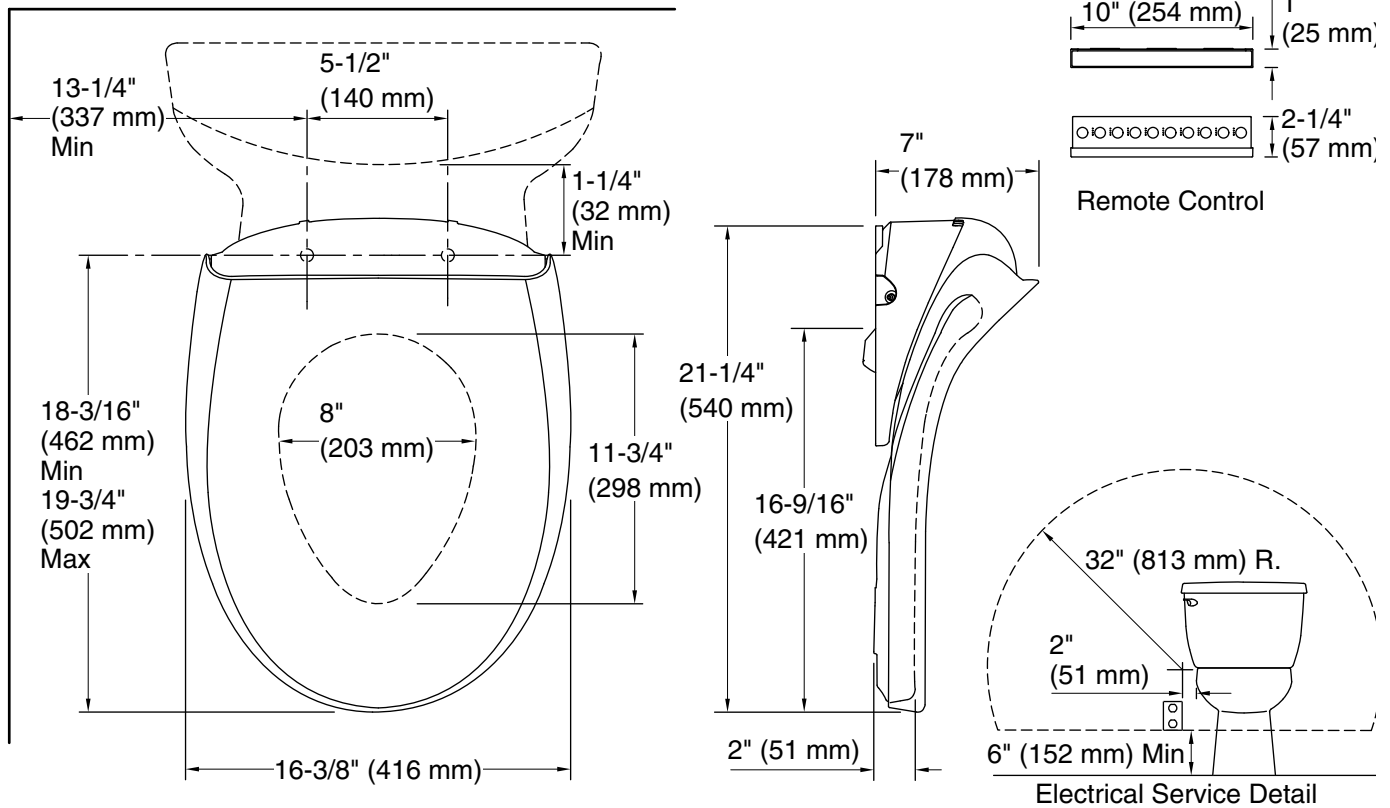
Installation

- Fits most elongated toilets.

Included Components

Additional Components:

- AA batteries (Qty 3)
- Remote
- Supply hose
- T-Valve
- Washers



Required Electrical Service

One dedicated circuit required, protected with Class A Ground-Fault Circuit-Interrupter (GFCI). Outside North America, this device may be known as a Residual Current Device (RCD).

Bidet toilet seat: 120 V, 15 A, 60 Hz

Technical Information

All product dimensions are nominal.

Seat shape type: Elongated
 Seat front type: Closed-front
 Seat-mounting holes: 5-1/2" (140 mm)
 Electrical component rating: Bidet toilet seat: 120 V, 15 A, 60 Hz
 Power cord length: 51" (1295 mm)

Notes

Install this product according to the installation instructions.

Connect the seat to a cold water supply of drinking quality water at a pressure of 20 psi - 80 psi (139 kPa - 551 kPa).

Do not install this seat in a location where: (1) water might be splashed on the product or (2) excessive moisture, high humidity levels, or condensation is present. This will avoid damage to the electronic components.

NOTICE: Do not use an extension cord with this product.

NOTICE: Do not plug in the seat until instructed to do so in the installation guide. This will avoid possible product malfunction.

Locate the receptacle at least 6" (152 mm) above the floor, and within a 32" (813 mm) radius measured 2" (51 mm) from the bowl ledge.