



Highcliff™ Ultra

4-Bolt Elongated Flushometer Bowl

K-96057-B

Features

- Elongated bowl
- 4-bolt base for added stability.
- 1-1/2" top spud.
- 10" x 7" water surface size.
- Glazed 2-1/8" trapway.

Material

- Vitreous china.

Technology

- Designed to outperform competitors in bowl cleanliness and plug resistance.
- Maximum waste removal.
- Engineered for toilet seat cover removal.
- Excellent bowl rinse.
- Engineered to flush effectively in buildings with low supply pressure and flow.
- Maximum drain line carry at all flush volumes per ASME Standard.

Installation

- 26-1/8" L x 14-5/8" W x 16-5/8" H
- Replaces Highcliff K-4368-B. Height and footprint may vary.
- 10" or 12" rough-in .

Water Conservation & Rebates

- 1.1 to 1.6 gpf flush range (1.1, 1.28 and 1.6 gpf).

Included Components

Additional Components:
 Bolt cap accessory pack
 Spud



ADA **CSA B651** **OBC**

Codes/Standards

ASME A112.19.2/CSA B45.1
 DOE - Energy Policy Act 1992
 EPA WaterSense®
 California Energy Commission (CEC)
 ADA
 ICC/ANSI A117.1
 CSA B651
 OBC

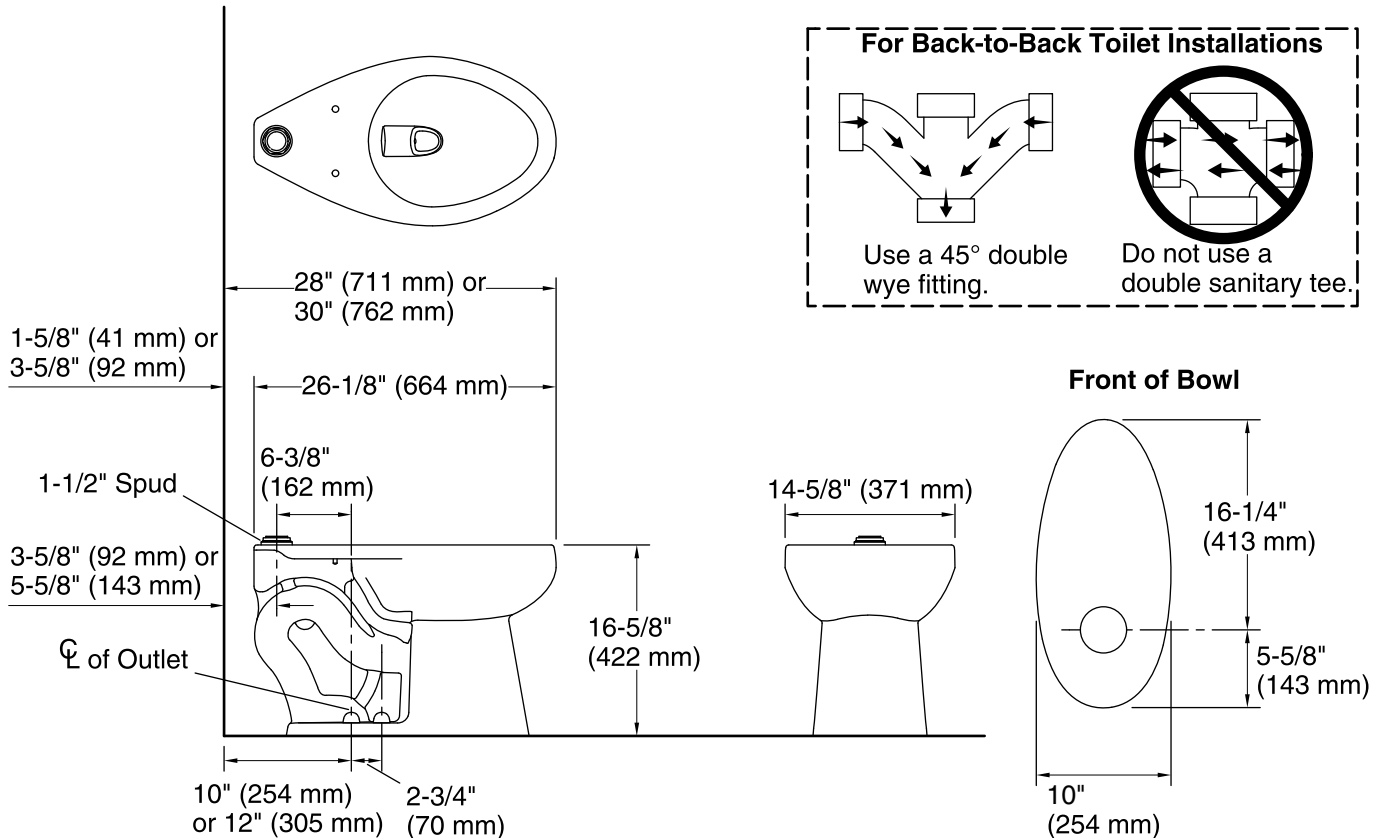
KOHLER® One-Year Limited Warranty

See website for detailed warranty information.

Available Colors/Finishes

Color tiles intended for reference only.

Color	Code	Description
	0	White



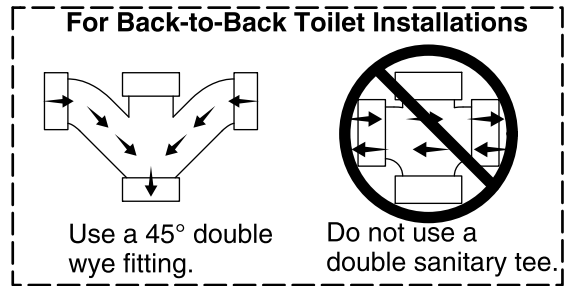
Technical Information

All product dimensions are nominal.

Toilet type:	Flushometer, Floor-mount
Waste Outlet:	Floor
Bowl shape:	Elongated
Flush type:	Flushometer valve siphon
Spud size:	1-1/2", Inlet, Top
Trap passageway:	2-1/8" (54 mm)
Water Consumption	
Full:	1.1 gpf (4.3 lpf) or 1.28 gpf (4.8 lpf) or 1.6 gpf (6 lpf)
Water surface size:	10" x 7" (254 mm x 178 mm)
Rim to water surface:	6" (152 mm)
Rough-in:	12" (305 mm)
Seat-mounting holes:	5-1/2" (140 mm)

Fixture Supply Requirements

Min static pressure:	35 psi (241.3 kPa)
Max static pressure:	80 psi (551.6 kPa)
Min flowing pressure:	25 psi (172.4 kPa)
Min flow rate:	25 gpm (94.6 lpm)



Notes

Install this product according to the installation instructions.

For back-to-back toilet installations: Use only a 45° double wye fitting.

Requires flushometer valve to match desired water consumption 1.1 gpf (4.3 lpf) or 1.28 gpf (4.8 lpf) or 1.6 gpf (6 lpf).

ADA, OBC, CSA B651 compliant when installed to the specific requirements of these regulations.

Plumbing codes may require elongated toilets and elongated, open-front seats in public bathrooms.

Accessibility standards may require controls to be located on the open side of the toilet.