

## Features

- Brass construction.
- Push button self-closing valve.
- 3-3/16" (81 mm) spout.
- Flow regulator.
- Less drain.

## Material

- KOHLER finishes resist corrosion and tarnishing.



## Codes/Standards

ASME A112.18.1/CSA B125.1  
NSF/ANSI 61  
NSF/ANSI 372

## KOHLER® One-Year Limited Warranty

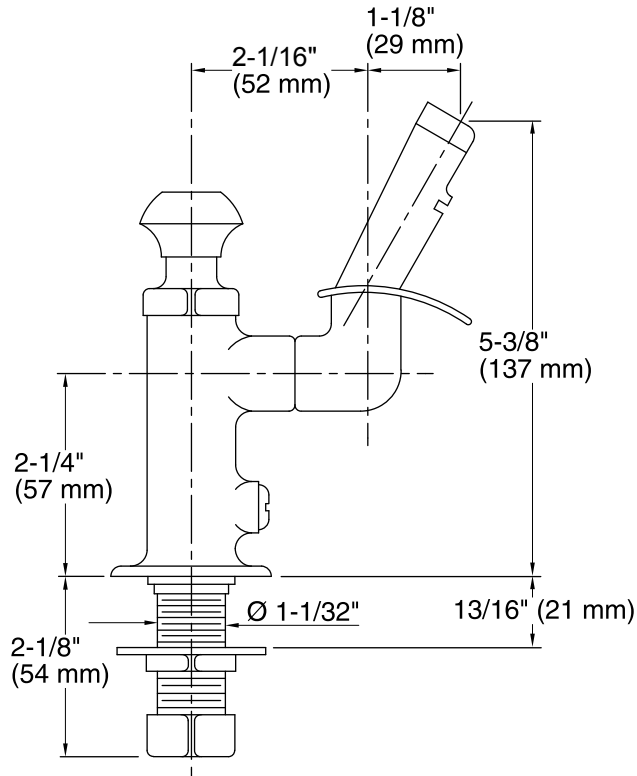
See website for detailed warranty information.

## Available Colors/Finishes

*Color tiles intended for reference only.*

Color	Code	Description
-------	------	-------------

	CP	Polished Chrome
--	----	-----------------



### Technical Information

All product dimensions are nominal.

### Spout:

Spout reach: 3-3/16" (81 mm)

### Notes

Install this product according to the installation guide.