

Technology

- Frameless, 1/4-inch-thick Crystal Clear tempered glass.
- Inside and outside solid-brass pull handles.
- Two roller-compression latches ensure smooth, secure closure.
- CleanCoat® nanotechnology helps prevent bacteria, mildew and water stains on your glass, making it easy to clean and looking new.
- Out-of-plumb adjustability for easy installation.
- Can be installed to open to the left or right.

Installation

- Not for use in hospitality.

Included Components

Additional Components:
Hardware kit



Codes/Standards

CPSC 16CFR 1201
ANSI Z97.1

KOHLER® One-Year Limited Warranty

See website for detailed warranty information.

Available Colors/Finishes

Color tiles intended for reference only.

| Color | Code | Description |
|-------|------|-------------|
|-------|------|-------------|

SH

MX

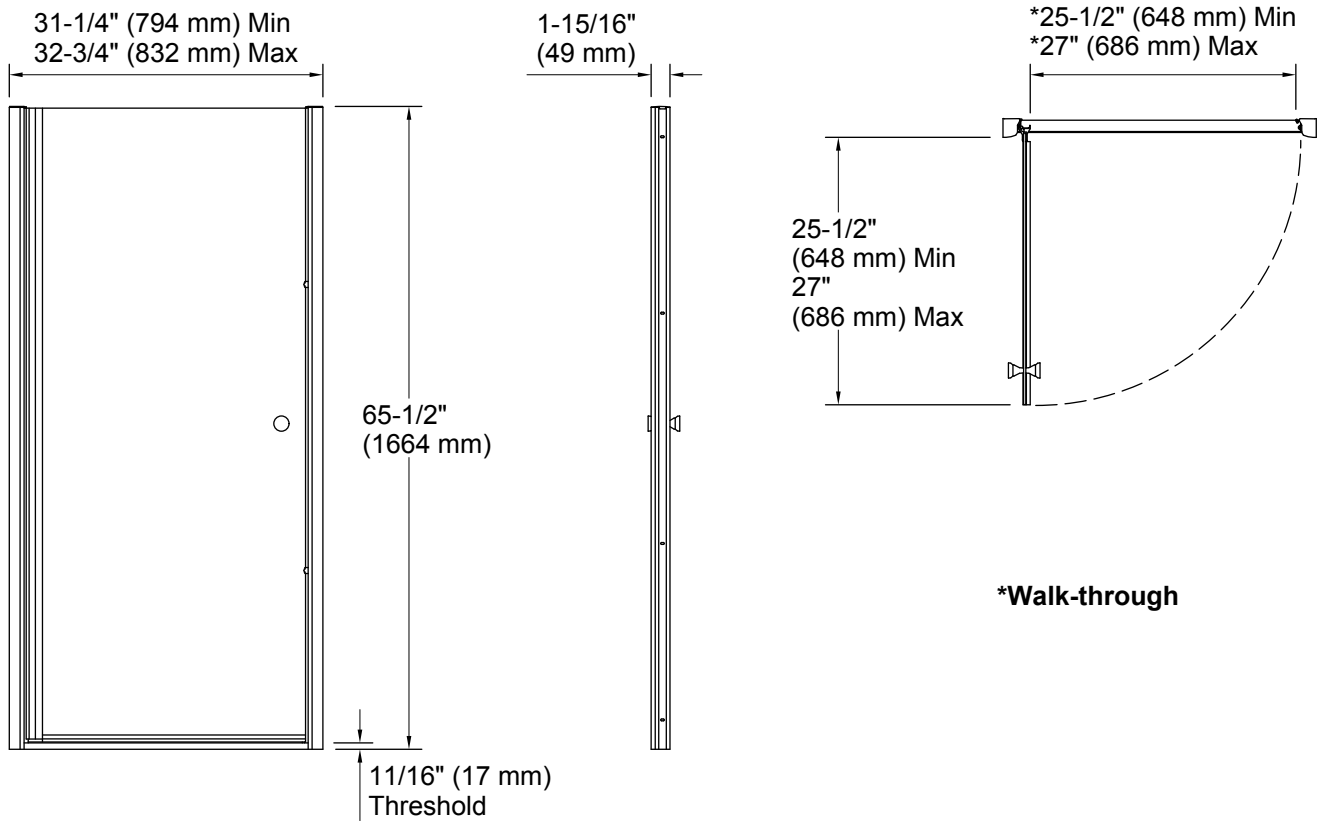
ABV

BH

Available Glass Options

| Code | Description |
|------|-------------|
|------|-------------|

L Crystal Clear



***Walk-through**

Technical Information

All product dimensions are nominal.

| | |
|----------------------|------------------------------|
| Installation type: | For shower base installation |
| Opening style: | Pivot |
| Opening Width - Min: | 31-1/4" (794 mm) |
| Opening Width - Max: | 32-3/4" (832 mm) |
| Walk-through - Min: | 25-1/2" (648 mm) |
| Walk-through - Max: | 27" (686 mm) |
| Glass thickness: | 1/4" (6 mm) |
| Glass coating: | CleanCoat® |

Notes

Install this product according to the installation guide.

The vertical opening should be a minimum of 66" (1676 mm) to allow for installation clearance.