

Technology

- Frameless, 1/4-inch-thick Crystal Clear tempered glass.
- Inside and outside solid-brass pull handles.
- Two roller-compression latches ensure smooth, secure closure.
- CleanCoat® nanotechnology helps prevent bacteria, mildew and water stains on your glass, making it easy to clean and looking new.
- Out-of-plumb adjustability for easy installation.
- Can be installed to open to the left or right.

Installation

- Not for use in hospitality.

Included Components

Additional Components:
Hardware kit



Codes/Standards

CPSC 16CFR 1201
ANSI Z97.1

KOHLER® One-Year Limited Warranty

See website for detailed warranty information.

Available Colors/Finishes

Color tiles intended for reference only.

Color	Code	Description
-------	------	-------------

SH

MX

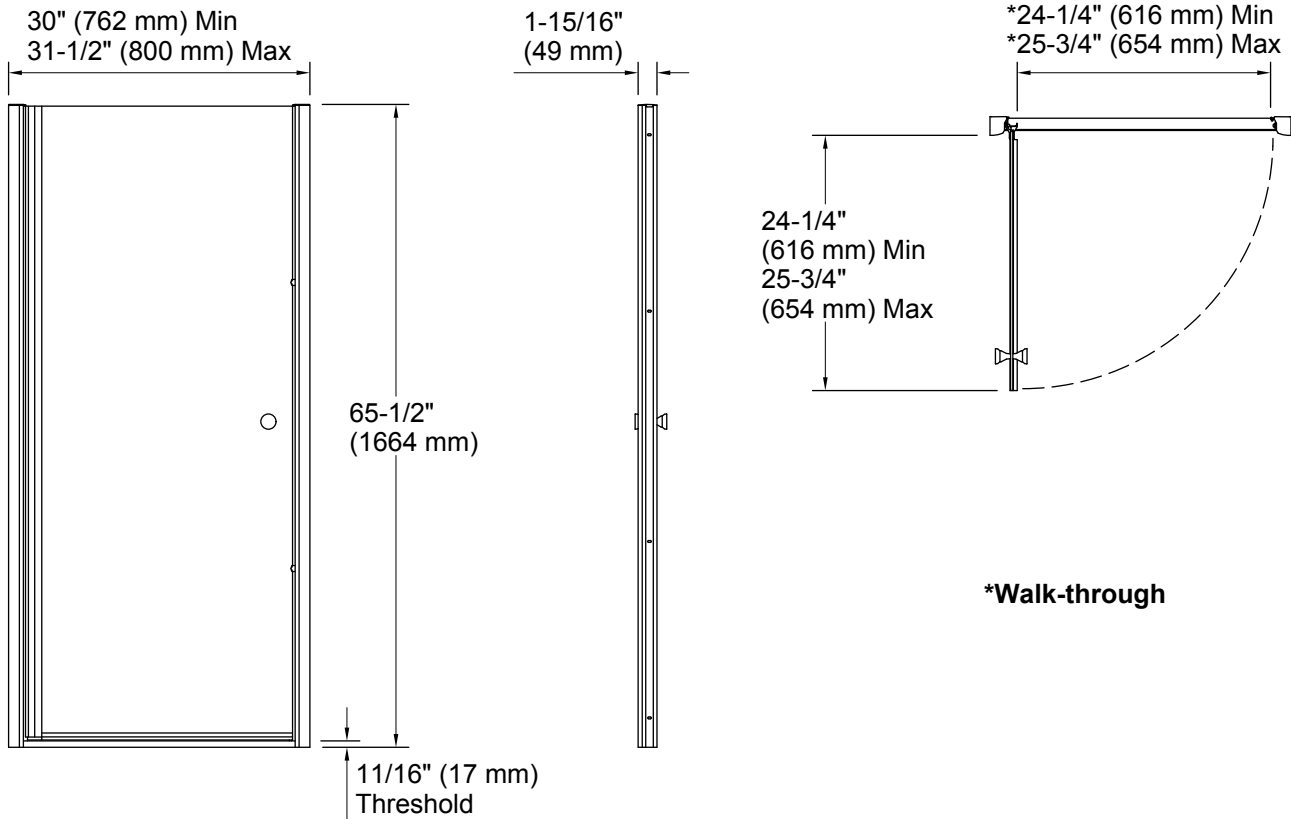
ABV

BH

Available Glass Options

Code	Description
------	-------------

L Crystal Clear



Technical Information

All product dimensions are nominal.

Installation type:	For shower base installation
Opening style:	Pivot
Opening Width - Min:	30" (762 mm)
Opening Width - Max:	31-1/2" (800 mm)
Walk-through - Min:	24-1/4" (616 mm)
Walk-through - Max:	25-3/4" (654 mm)
Glass thickness:	1/4" (6 mm)
Glass coating:	CleanCoat®

Notes

Install this product according to the installation guide.

The vertical opening should be a minimum of 66" (1676 mm) to allow for installation clearance.