

### Features

- Flipstream® technology uses a single sprayhead for four unique, experiential spray patterns; Koverage™, Kotton™, Komotion™ and Kurrent™.
- Changing sprays is as easy as turning the head on its axis.
- 1.75 gal/min (6.6 l/min) maximum flow rate.
- 1/2" - 14 NPT connection.
- Showerarm and flange not included.

### Water Conservation & Rebates

- WaterSense-labeled 1.75-gpm showerheads use up to 30 percent less water than standard 2.5-gpm showerheads while still meeting strict performance guidelines.
- This product can help a building earn Water Efficiency points in the LEED Green Building Rating System™.

### Recommended Products/Accessories

K-7395 Shower Arm and Flange



### Codes/Standards

ASME A112.18.1/CSA B125.1  
DOE - Energy Policy Act 1992  
EPA WaterSense®  
California Energy Commission (CEC)

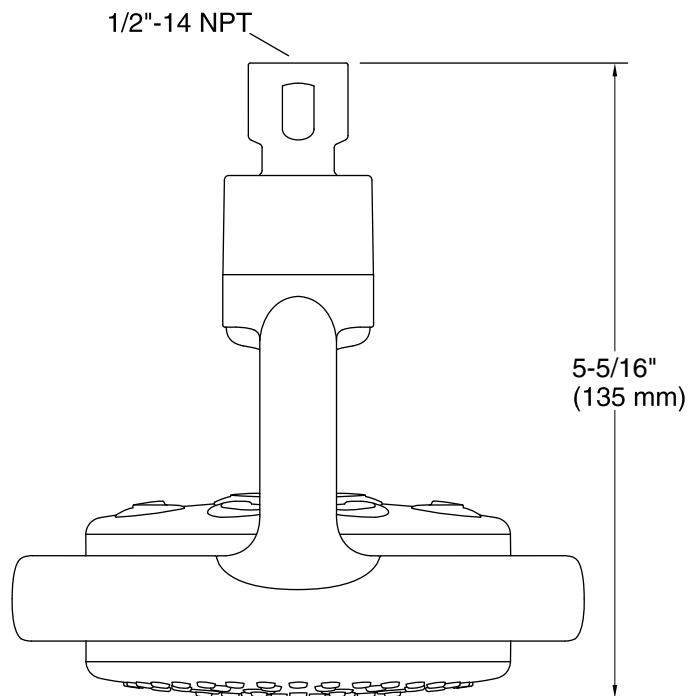
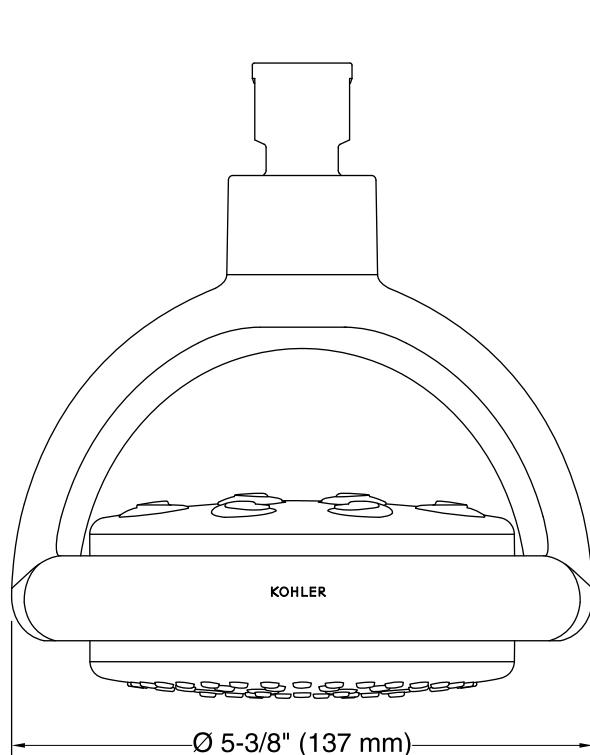
### KOHLER® Faucet Lifetime Limited Warranty

See website for detailed warranty information.

### Available Colors/Finishes

*Color tiles intended for reference only.*

Color	Code	Description
	CP	Polished Chrome
	SN	Vibrant® Polished Nickel
	BN	Vibrant® Brushed Nickel
	2BZ	Oil-Rubbed Bronze



**Technical Information**

All product dimensions are nominal.

**Notes**

Install this product according to the installation instructions.