

Features

- Oval basin.
- No faucet holes; requires wall- or counter-mount faucet.
- Fits standard 14- x 17-inch countertop cutout.

Material

- 20-gauge stainless steel.

Installation

- Drop-in or under-mount.

Required Products/Accessories

K-7107 Decorative Drain

or

K-7108 Decorative Drain

or

K-7129 Drain

or

K-7114 Pop-Up Drain

or

K-7124 Pop-Up Clicker Drain

or

K-7127 Drain

Recommended Products/Accessories

K-8998 P-Trap

Included Components

Additional Components:

- 1193643 Basin clamps
- Cutout template.



ADA

CSA B651

Codes/Standards

ASME A112.19.3/CSA B45.4

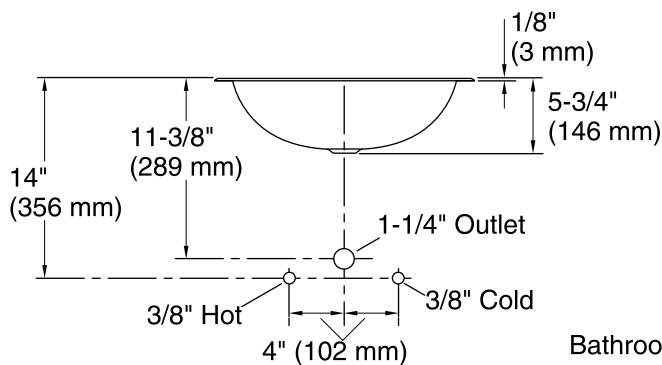
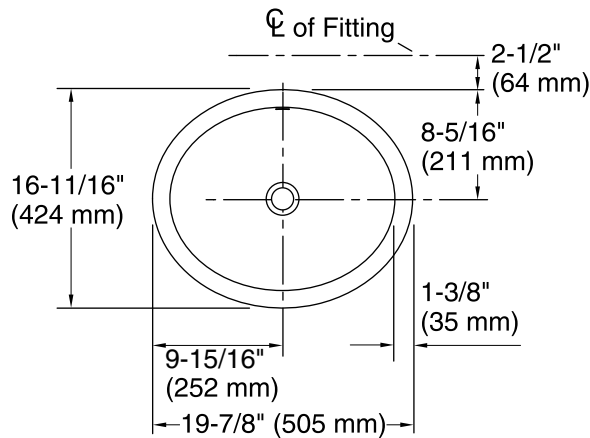
ADA

ICC/ANSI A117.1

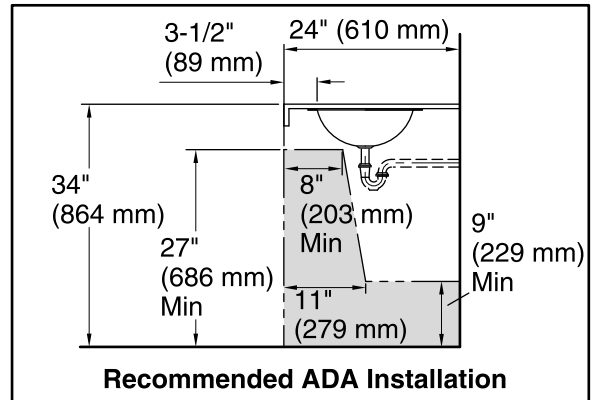
CSA B651

KOHLER® One-Year Limited Warranty

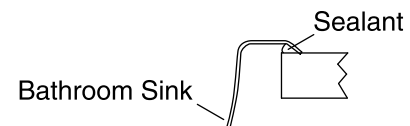
See website for detailed warranty information.



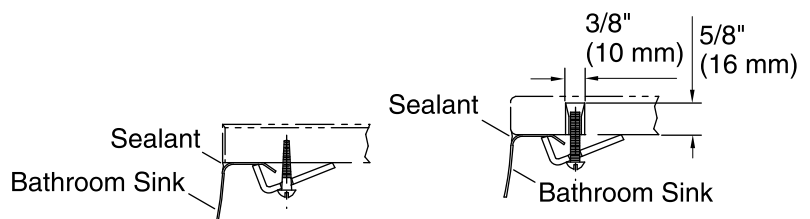
Standard Installation



Recommended ADA Installation



Drop-In Installation



Wood Installation

Marble Installation

Technical Information

All product dimensions are nominal.

Installation:	Drop-in, Under-mount
Bowl area:	Water depth: 5-3/8" (137 mm)
Drain hole:	1-5/8" (41 mm)
Template:	1248333-7, required, included

Notes

Install this product according to the installation instructions.

Installer must supply anchors based on countertop material and thickness.

ADA, CSA B651 compliant when installed to the specific requirements of these regulations.