



Iron Plains® Trough Rectangle

Vessel bathroom sink

K-20212-BL

Features

- Large rectangular basin.
- Overflow drain.

Material

- KOHLER® enameled cast iron.
- Indigo Blue interior and painted underside.

Installation

- No faucet holes; requires wall-or counter-mount faucet.
- Vessel, drop-in, or under-mount.

Recommended Products/Accessories

- K-23726 Drain treatment
- K-23725 Cast iron cleaner



ADA **CSA B651**

Codes/Standards

ASME A112.19.1/CSA B45.2
ADA
ICC/ANSI A117.1
CSA B651


Lifetime Limited Warranty for KOHLER® Cast Iron Components

See website for detailed warranty information.

Available Colors/Finishes

Color tiles intended for reference only.

Color	Code	Description
-------	------	-------------

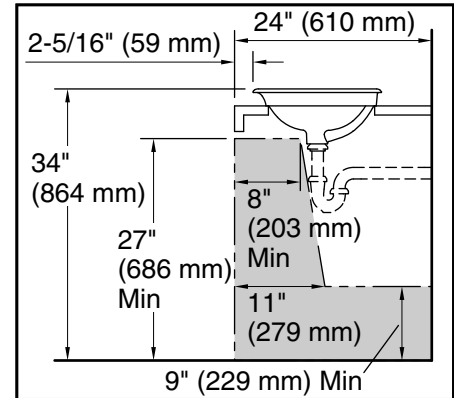
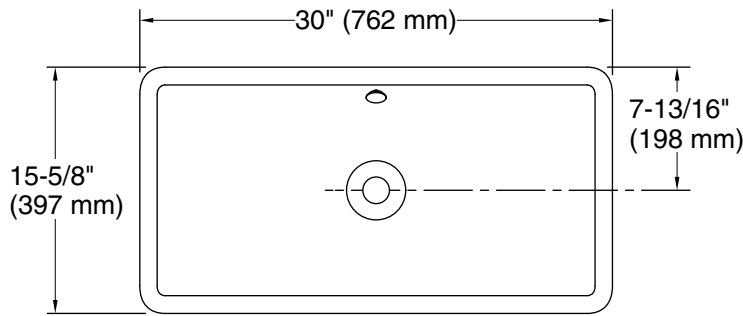
	DGB	Indigo Blue
--	-----	-------------



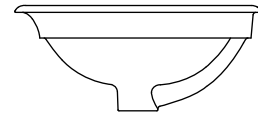
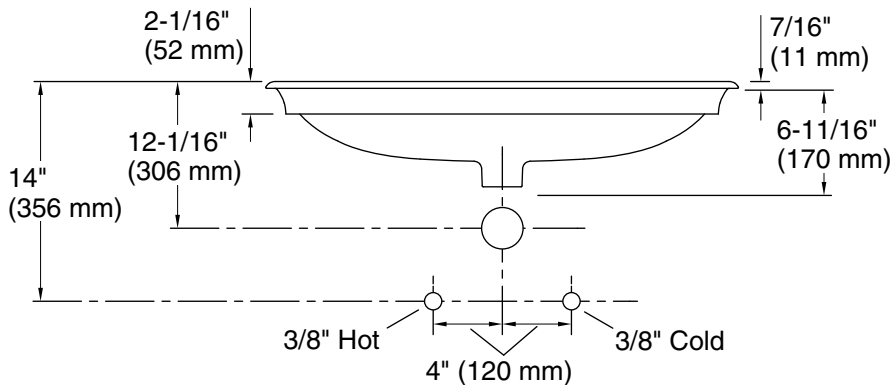
Iron Plains® Trough Rectangle

Vessel bathroom sink

K-20212-BL



Recommended ADA Installation



Technical Information

All product dimensions are nominal.

Installation: Drop-in, Under-mount, Vessel

Drain hole: 1-3/4" (44 mm)

Template: 1319048-7, required, included

Notes

Install this product according to the installation instructions.

NOTICE: Countertop manufacturer or cutter must use the cut-out template provided with the product, or a current one provided by Kohler Co. (call 1-800-4-KOHLER). Kohler Co. is not responsible for cutout errors when the incorrect cut-out template is used.

ADA, CSA B651 compliant when installed to the specific requirements of these regulations.