



## Underscore® Cube

48" x 48" heated whirlpool bath with center drain

K-1969-JH

### Features

- Eight Flexjet® hydromassage jets can be individually adjusted for water flow and direction.
- Variable speed pump for adjusting massage intensity.
- Built-in heater.
- Extra-deep square shape offers fully-immersed soaking experience with a compact footprint.
- Spacious shape accommodates up to two bathers.
- Two integral corner seats.
- Integral lumbar support.
- Textured bottom surface.

### Material

- Acrylic.

### Installation

- Drop-in or undermount.
- Center drain.

### Required Products/Accessories

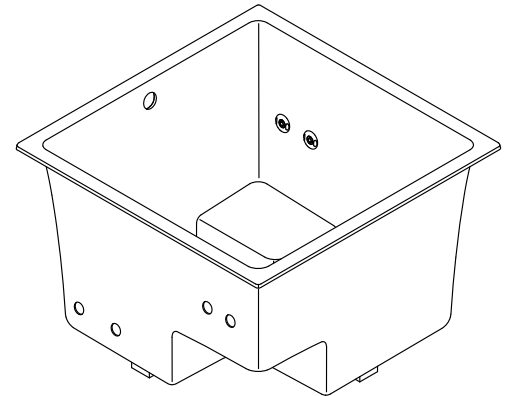
K-8134 Cable Bath Drain Trim Kit  
K-9698 Flexjet® Whirlpool Trim Kit

or

K-8150 Cube Cable Drain  
K-9698 Flexjet® Whirlpool Trim Kit

### Recommended Products/Accessories

K-24916 Wireless Music Kit  
K-578 Cube Undermount Installation Kit  
K-1491 Bath/Whirlpool Pillow  
K-1601 Bath/Whirlpool Footstop  
K-1177 Vinyl Tiling-in Bead



### Codes/Standards



ASME A112.19.7/CSA B45.10  
CSA B45.5/IAPMO Z124  
ASTM E162  
ASTM E662  
UL 1795  
CSA C22.2 No. 218.2

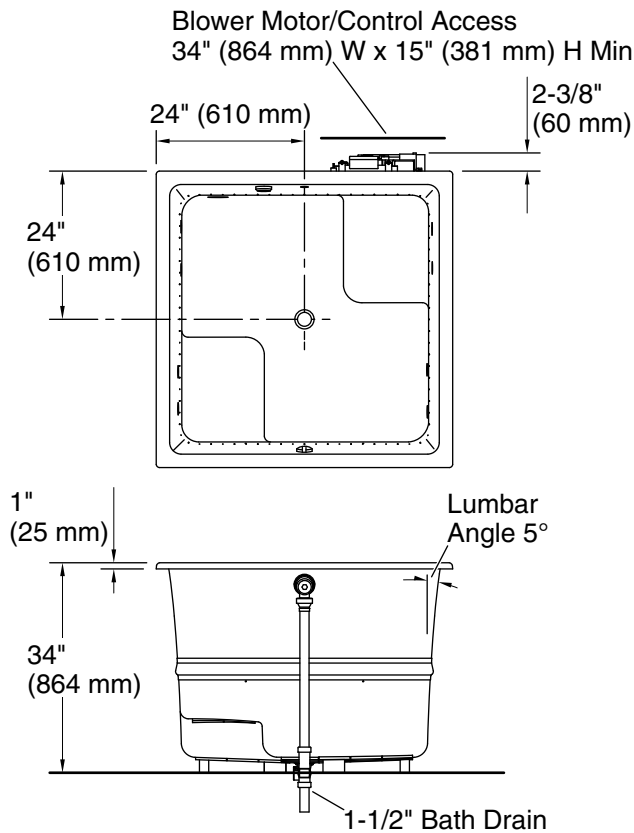
**KOHLER® Hydrotherapy Components  
Five-Year Limited Warranty  
KOHLER® Plastic Baths and Receptors  
Lifetime Limited Warranty**

See website for detailed warranty information.

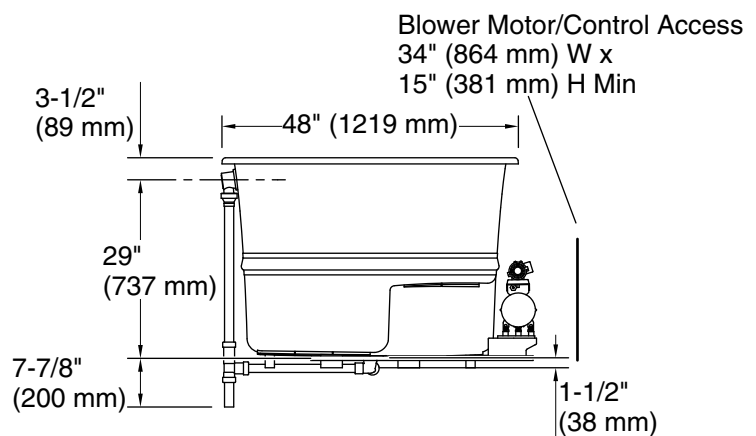
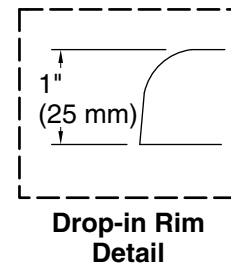
### Available Colors/Finishes

*Color tiles intended for reference only.*

Color	Code	Description
	0	White
	96	Biscuit



No change in measurements if connected with drain illustrated. (K-8150)



### Required Electrical Service

Two dedicated circuits required, protected with Class A Ground-Fault Circuit-Interrupter (GFCI). Outside North America, this device may be known as a Residual Current Device (RCD).

Pump: 120 V, 15 A, 60 Hz  
Heater: 120 V, 15 A, 60 Hz

### Technical Information

All product dimensions are nominal.

Installation: Drop-in, Undermount  
Drain location: Center  
Basin area, bottom: 39-3/8" x 39-3/8" (1000 mm x 1000 mm)  
Basin area, top: 43-11/16" x 43-11/16" (1109 mm x 1109 mm)  
Weight: 160 lbs (72.6 kg)  
Minimum floor load: 100 lbs/ft<sup>2</sup> (488.2 kg/m<sup>2</sup>)  
Water depth: 29" (736 mm)  
Water capacity: 171 gal (647.3 L)  
Cutout: Drop-in, 47" x 47" (1194 mm x 1194 mm)  
Electrical component rating: Pump: 120 V, 7 A, 60 Hz  
Heater: 120 V, 12 A, 60 Hz

### Notes

Measure your actual product for rough-in details. Install this product according to the installation instructions.

The hot water supply should be 70% of the capacity of the bath or greater. Installations will vary.