



## 15/16" Male Aerator K-18025

### Features

- Kohler plumbing products mean beautiful form as much as reliable function
- 15/16" male
- 1.0-gpm vandal-resistant, pressure-compensating spray (non-aerated)
- GPM = Volumetric flow rate in gallons per minute
- This product can help a building earn Water Efficiency points in the LEED Green Building Rating System™. See specification sheet for water use data.



### Included Components

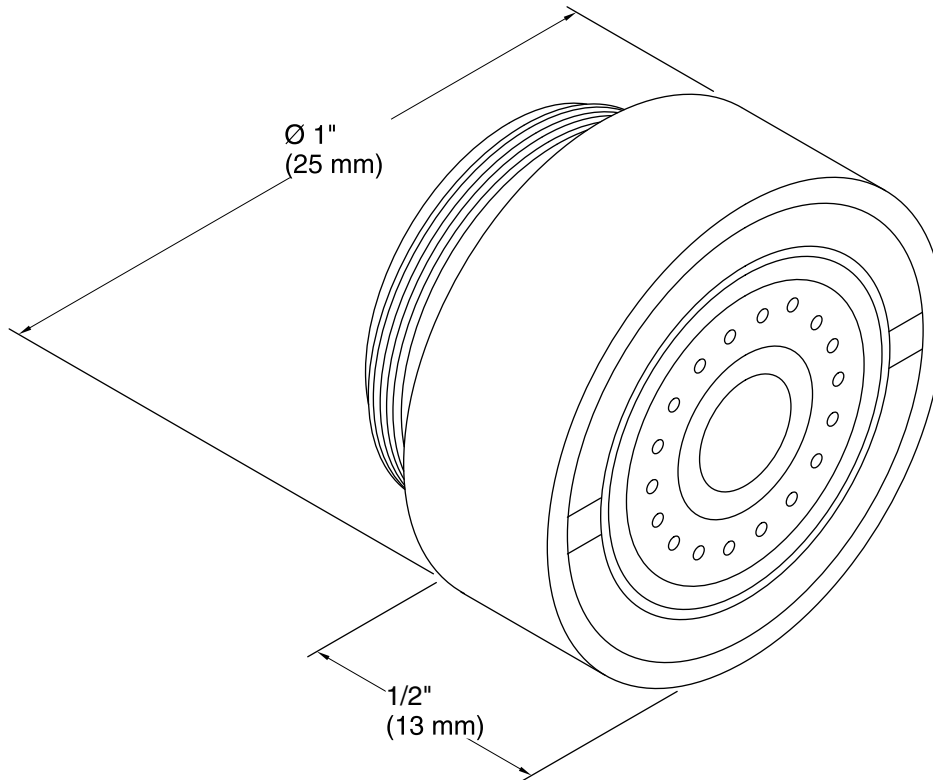
Additional Components:  
Aerator wrench

### Codes/Standards

None Applicable

### KOHLER® One-Year Limited Warranty

See website for detailed warranty information.



## Technical Information

All product dimensions are nominal.

Material: Brass

## Notes

Install this product according to the installation guide.