

## Features

- Oval-shaped basin creates a graceful and spacious bathing experience.
- Molded lumbar support and armrests offer extra comfort while bathing.
- Integral flange helps prevent water from seeping behind wall and simplifies alcove installation.
- Left-hand drain.

## Material

- Acrylic

## Installation

- Three-wall alcove.

## Additional Hydrotherapy Options

- Soaking Bath - 1142-L
- Whirlpool - 1139-L
- Whirlpool + heater - 1139-LH

## Recommended Products/Accessories

K-1284 Removable Apron  
K-1491 Bath/Whirlpool Pillow  
K-11677 Bath Drain  
K-24916 Wireless Music Kit  
K-1601 Bath/Whirlpool Footstop  
K-7259 Clearflo Bath Drain  
K-702200-G54 Frameless Sliding Bath Door  
K-702200-G73 Frameless Sliding Bath Door  
K-702200-L Frameless Sliding Bath Door  
K-702205-L Frameless Sliding Bath Door



## Codes/Standards




CSA B45.5/IAPMO Z124

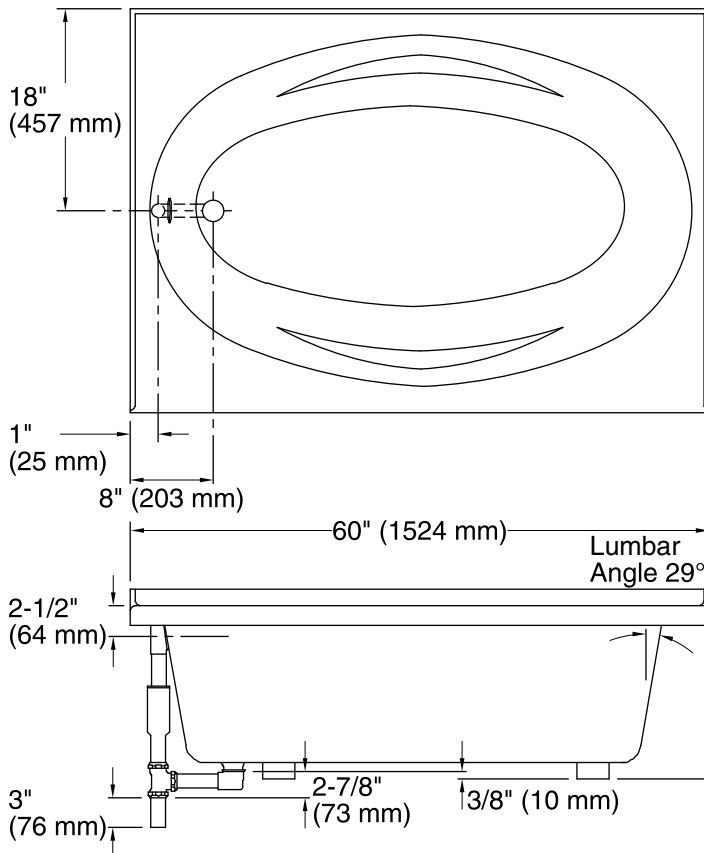
## KOHLER® Plastic Baths and Receptors Lifetime Limited Warranty

See website for detailed warranty information.

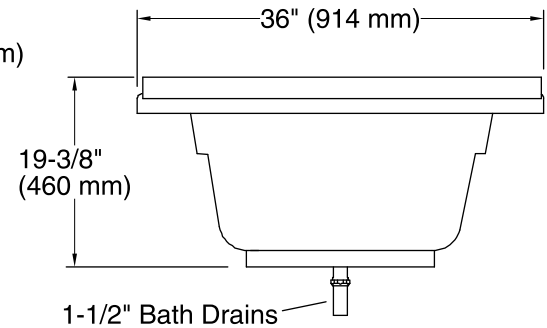
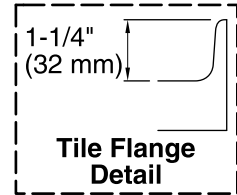
## Available Colors/Finishes

*Color tiles intended for reference only.*

Color	Code	Description
	0	White
	96	Biscuit
	47	Almond



No change in measurements if connected with drain illustrated. (K-11677)



## Technical Information

All product dimensions are nominal.

Installation:	Three-wall alcove
Drain location:	Left
Basin area, bottom:	46" x 15" (1168 mm x 381 mm)
Basin area, top:	55" x 25" (1397 mm x 635 mm)
Weight:	43 lbs (19.5 kg)
Minimum floor load:	80 lbs/ft <sup>2</sup> (390.6 kg/m <sup>2</sup> )
Water depth:	14" (356 mm)
Water capacity:	57 gal (215.8 L)
Cutout:	Drop-in, 58-1/2" x 34-1/2" (1486 mm x 876 mm)
Minimum flat for door:	2-3/4" (69 mm)

## Notes

Measure your actual product for rough-in details.

Install this product according to the installation instructions.

The hot water supply should be 70% of the capacity of the bath or greater. Installations will vary.