

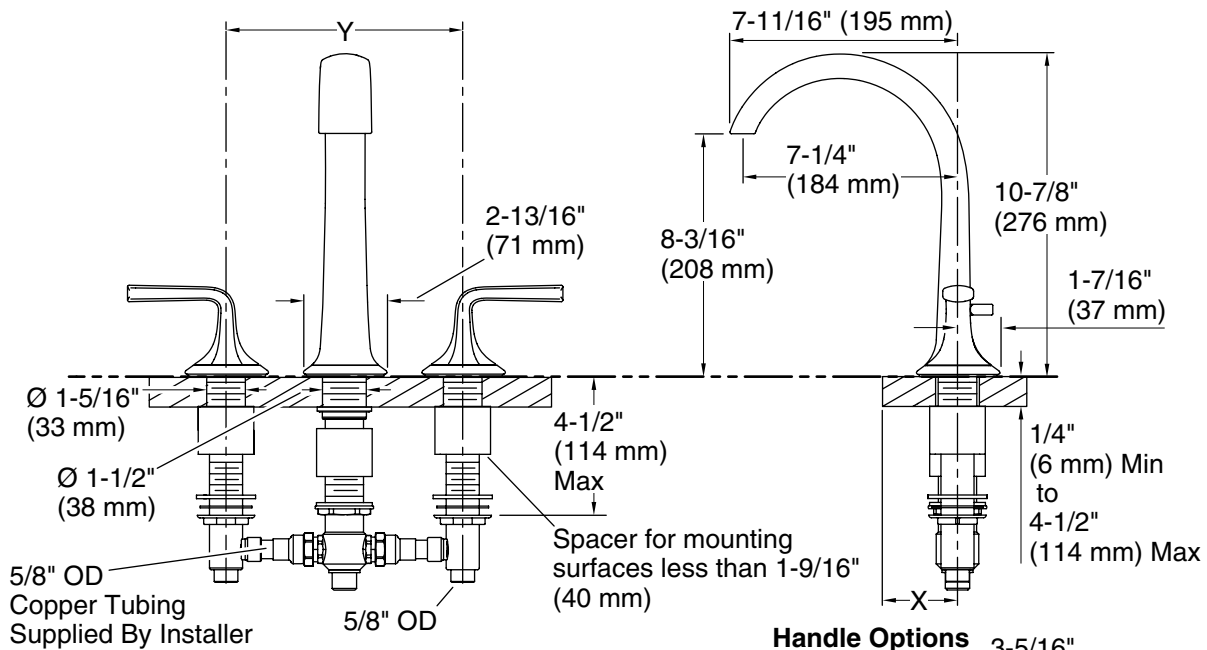
FEATURES

- Solid brass construction for durability and reliability
- Quarter-turn washerless ceramic disc valves
- Complements the Script collection

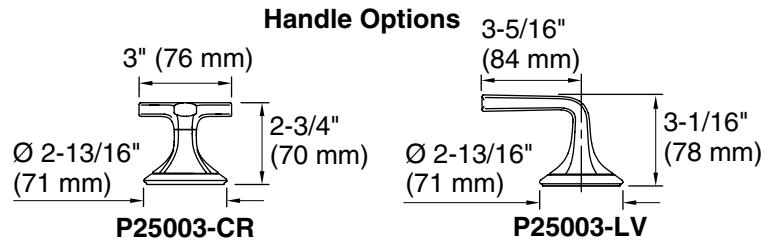
CODES/STANDARDS APPLICABLE

- Specified model meets or exceeds the following:
- ASME A112.18.1/CSA B125.1
 - ICC/ANSI A117.1

P25003



X = Distance from centerline of spout inlet to front of spout base plus 1/2" (13 mm).
 Y = Distance between valve body centerlines varies. Minimum distance is 8" (203 mm).



SPECIFIED MODEL				
Model	Description	Finishes		
P25003-CR	Script Deck-Mount Bath Faucet with Diverter, Cross Handle	<input type="checkbox"/> CP Polished Chrome	<input type="checkbox"/> AD Nickel Silver	<input type="checkbox"/> BCH Blush Bronze
P25003-LV	Script Deck-Mount Bath Faucet with Diverter, Lever Handles	<input type="checkbox"/> CP Polished Chrome	<input type="checkbox"/> AD Nickel Silver	<input type="checkbox"/> BCH Blush Bronze
Required Rough-In				
P19304-00	Deck-Mount Bath Valve with Diverter	<input type="checkbox"/> NA		
Required Accessories				
P24761-00	Soft Modern Dual-Function Handshower w/Hose	<input type="checkbox"/> CP Polished Chrome	<input type="checkbox"/> AD Nickel Silver	<input type="checkbox"/> BCH Blush Bronze
P21653-00	Traditional Deck-Mounted Handshower Mounting Trim	<input type="checkbox"/> CP Polished Chrome	<input type="checkbox"/> AD Nickel Silver	<input type="checkbox"/> BCH Blush Bronze

We reserve the right to make revisions without notice in the design of products or in packaging unless this right has specifically been waived at the time the order is accepted.