

KALLISTA®

For Town Transfer Trim

FEATURES

- Solid brass construction for durability and reliability
- Allows the bather to direct water flow
- Pairs with a 2- or 3-way transfer valve configuration
- Complements the For Town collection

CODES/STANDARDS APPLICABLE

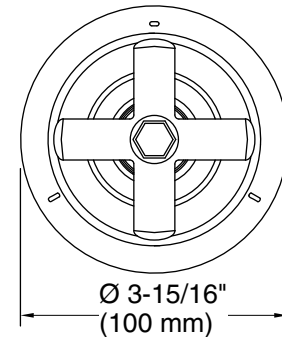
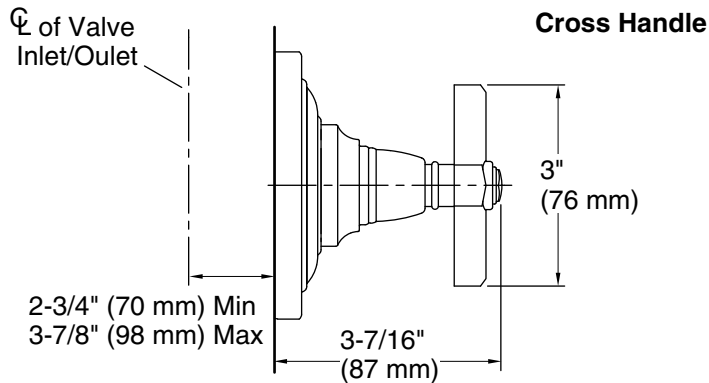
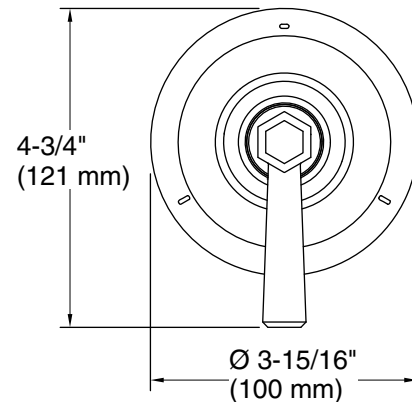
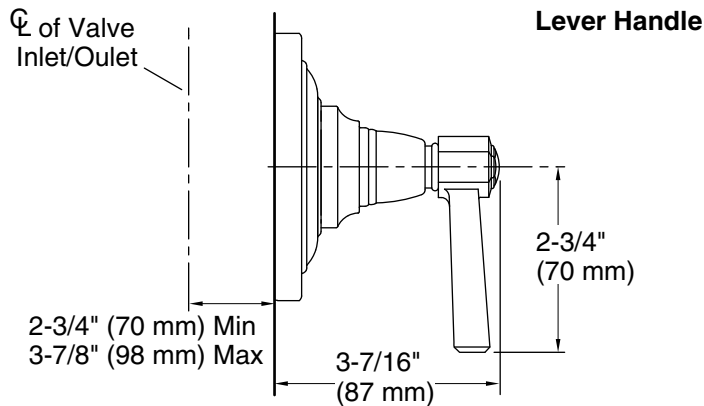
Specified model meets or exceeds the following:

- ASME A112.18.1/CSA B125.1
- ICC/ANSI A117.1
- ADA*
- OBC* (Lever only)
- CSA B651*



* Compliant when installed to the specific requirement of this regulation

P22784



SPECIFIED MODEL

| Model | Description | Finishes | | |
|-------------------|--------------------------------------|---|---|--|
| P22784-LV | For Town Transfer Trim, Lever Handle | <input type="checkbox"/> CP Polished Chrome | <input type="checkbox"/> AD Nickel Silver | <input type="checkbox"/> AG Brushed Nickel |
| P22784-CR | For Town Transfer Trim, Cross Handle | <input type="checkbox"/> CP Polished Chrome | <input type="checkbox"/> AD Nickel Silver | <input type="checkbox"/> AG Brushed Nickel |
| Required Rough-In | | | | |
| P29513-00 | 3-Way Transfer Valve | <input type="checkbox"/> NA | | |
| P29514-00 | 3-Way Transfer Valve, Eco | <input type="checkbox"/> NA | | |

We reserve the right to make revisions without notice in the design of products or in packaging unless this right has specifically been waived at the time the order is accepted.