

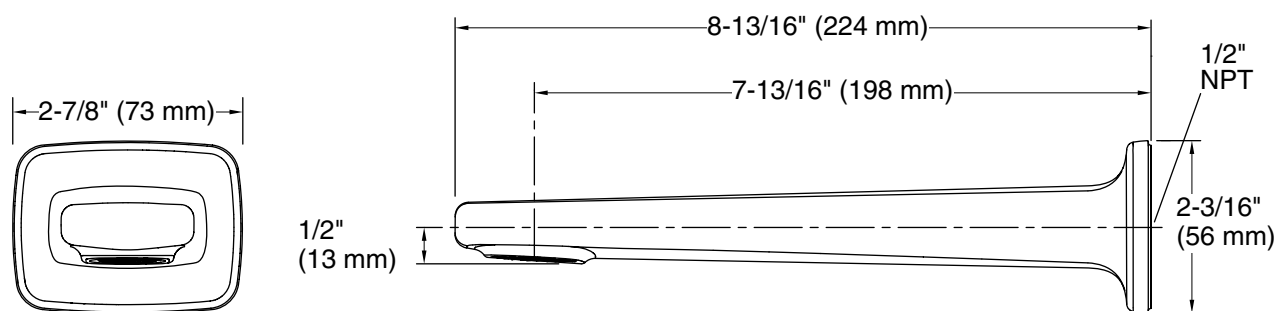
FEATURES

- Solid brass construction for durability and reliability
- 1/2" NPT spout connection
- Complements the Per Se collection

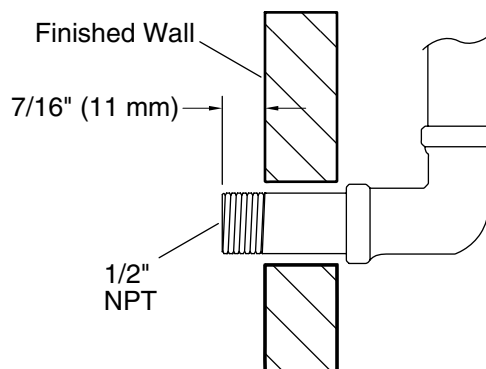
CODES/STANDARDS APPLICABLE

- Specified model meets or exceeds the following:
- ASME A112.18.1/CSA B125.1

P24704



Spout Installation Information



SPECIFIED MODEL		
Model	Description	Finishes
P24704-00	Per Se Bath Spout	<input type="checkbox"/> CP Polished Chrome <input type="checkbox"/> AD Nickel Silver <input type="checkbox"/> AG Brushed Nickel <input type="checkbox"/> W7 Black Nickel

We reserve the right to make revisions without notice in the design of products or in packaging unless this right has specifically been waived at the time the order is accepted.