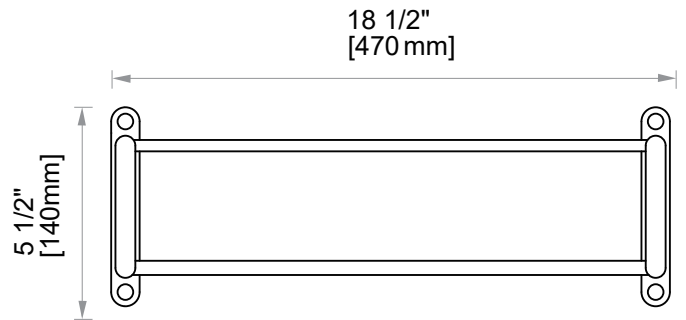
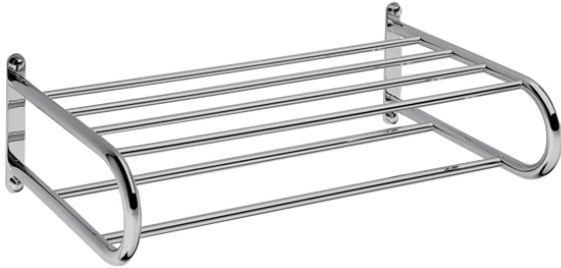


HOTEL ITEMS
TWO TIER TOWEL RACK
8281522



PRODUCT NAME: TWO TIER TOWEL RACK

PRODUCT CODE: 8281522

MATERIAL: All-brass construction

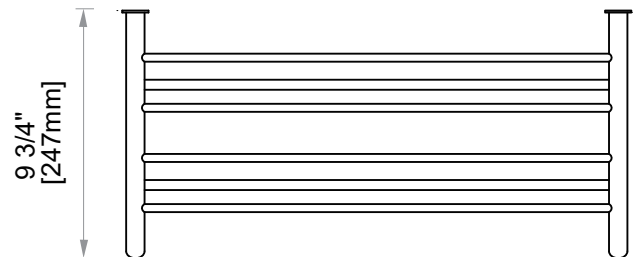
KEY FEATURES: Contemporary design.
Simple and straight forward lines.
Strong linear silhouette.

STOCKED FINISHES:

- Polished Chrome (99)
- Brushed Nickel (81)
- Polished Nickel (68)

SPECIAL FINISHES AVAILABLE: Please see our website for full list samples

WARRANTY:
Lifetime Limited (Residential Use)
One Year (Commercial Use)



NOTE: Dimensions and specifications are subject to change without notice.