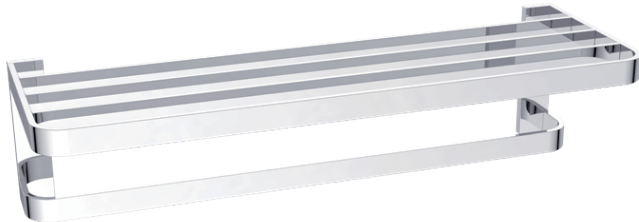


## COLOGNE COLLECTION DOUBLE TOWEL SHELF 255442



**PRODUCT NAME:** DOUBLE TOWEL SHELF

**PRODUCT CODE:** 255442

**MATERIAL:** All-brass construction

**KEY FEATURES:** Contemporary design with strong bold silhouette softened by the rounded corners and curved lines.

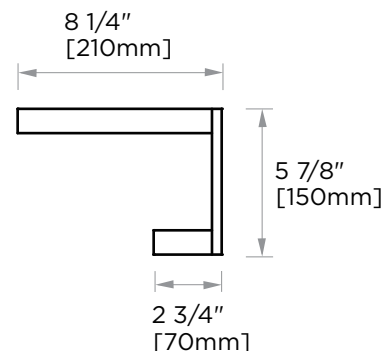
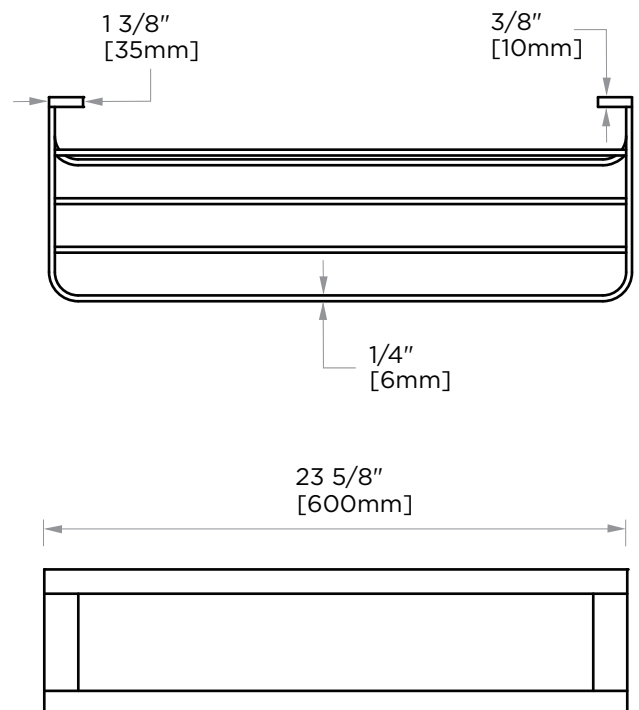
**STOCKED FINISHES:**

- Polished Chrome (99)
- Brushed Nickel (81)
- Matte Black (48)

**SPECIAL FINISHES AVAILABLE:** 26 options available. Please see our website for full list samples

**WARRANTY:**

Lifetime Limited (Residential Use)  
One Year (Commercial Use)



NOTE: Dimensions and specifications are subject to change without notice.