



Boston Sink Consoles: 20 inch C105-V20-BNK C105-V20-MBK C105-V20-RGD

Assembly / Installation Instructions for Sink Consoles and Sink Consoles with the optional Storage Cabinet.

20 inch Boston Sink Consoles use countertop with integrated sink: SSP-S2016-WG

Finish Color Abbreviation Notes:

Sink Console Colors: (BNK = Brushed Nickel) / (MBK = Matte Black) / (RGD = Radiant Gold)

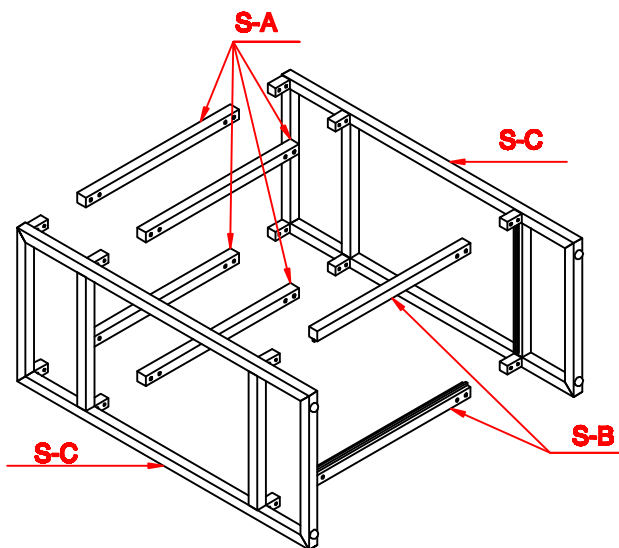
Assembly and Installation Notes:

Detailed notes and line drawings for the assembly of the sink console are on pages 01-04.

Installation notes for the optional storage cabinets: C105-SC12 are located on page 02.

IMPORTANT: Please review all pages prior to attaching the sink console to the wall. Storage cabinets need to be attached to the backside of the console before the sink console is attached to the wall.

For your safety and to achieve the best possible installation of this vanity cabinet, James Martin Vanities always recommends you consult with a professional contractor. Two people are required for the assembly and installation of these sink consoles.

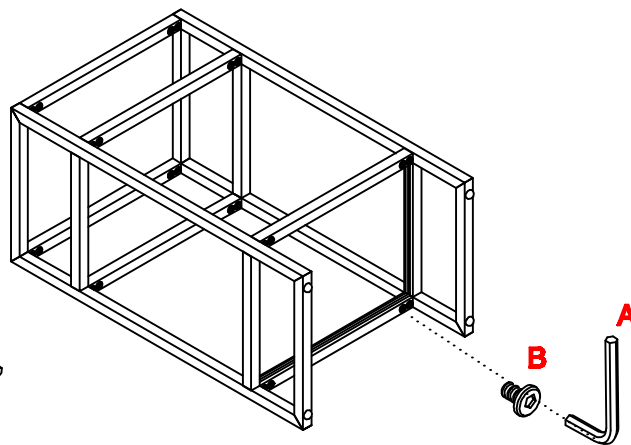


Step 1 Notes:

Locate two pairs of metal tubes: **S-A** & one pairs of **S-B** & the fully assembled side pieces **S-C**. Connect these eight pieces together using Bolts **B** and tightening with the Allen Wrench **A**. This will create the complete metal frame of sink console.

Important: Please press down the sink console to narrow the gaps when tight the bolts.

Move the sink console into the upright position.



A = 1 PC Allen Wrench (#4)

B = 26 PCS Bolts 1/4 x1/2"



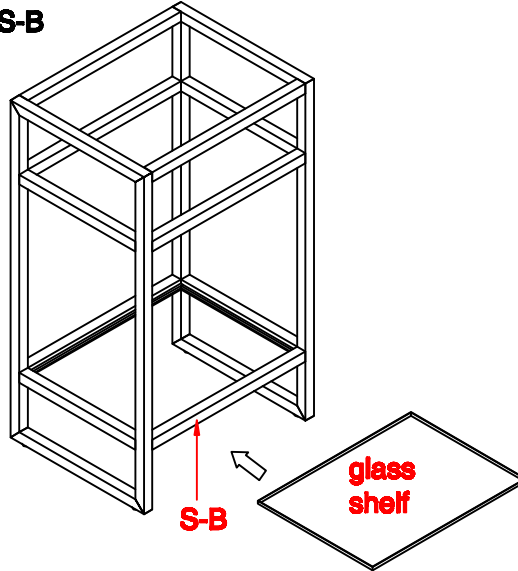
Boston Sink Consoles: 20 inch C105-V20-BNK C105-V20-MBK C105-V20-RGD

Assembly / Installation Instructions for Sink Consoles and Sink Consoles with the optional Storage Cabinet.

20 inch Boston Sink Consoles use countertop with integrated sink: SSP-S2016-WG

Step 2 Notes:

Inset the glass shelves onto shelf S-B

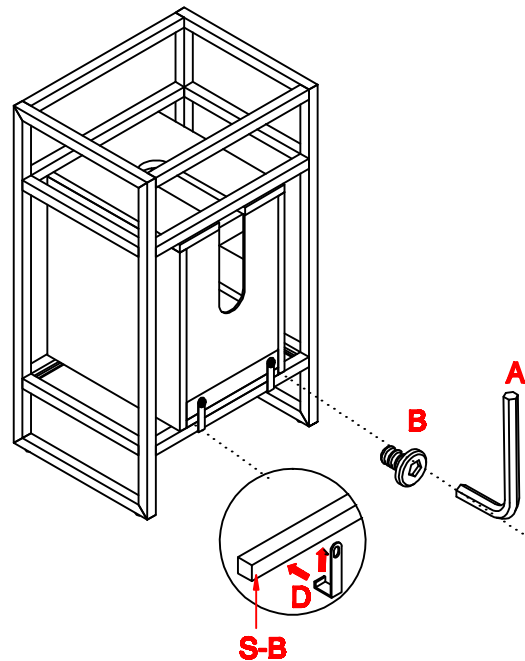


Assembly and Installation Notes:

Installation notes for the optional Storage Cabinets⁹ (if the Storage Cabinet has been ordered) : C105-SC12 , please follow steps 1 - 2 on pages 01 - 02, then proceed to note 3b as below.

Step 3b Notes:

Attach these four hooks (D) to the bottom metal tube (backside of S-B) and Storage Cabinet where there are pre-drilled holes. Connect the brackets using Bolts (B) and tightening with the Allen Wrench (A)



B = 26 PCS Bolts 1/4 x1/2"



D = 4 PCS Hook

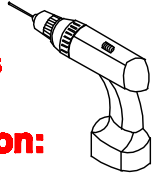


Boston Sink Consoles: 20 inch C105-V20-BNK C105-V20-MBK C105-V20-RGD

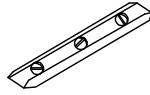
Assembly / Installation Instructions for Sink Consoles and Sink Consoles with the optional Storage Cabinet.

20 inch Boston Sink Consoles use countertop with integrated sink: SSP-S2016-WG

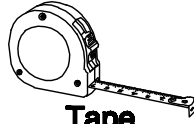
Materials for Installation:



Drill



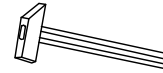
Level



Tape Measuring



Pencil

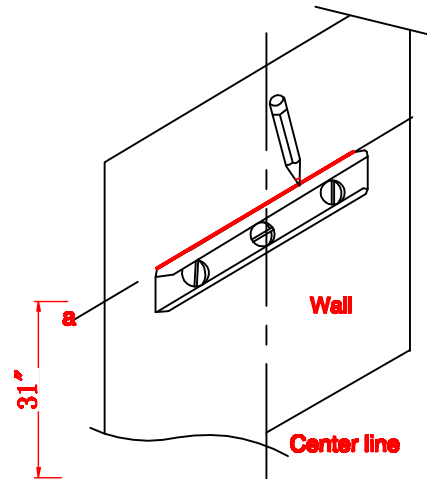
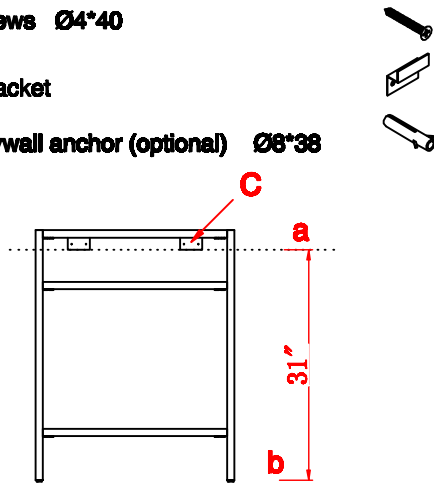


Hammer

B=4 PCS screws $\varnothing 4 \times 40$

C=2 PCS Bracket

D=4 PCS drywall anchor (optional) $\varnothing 6 \times 38$



Step 4 Notes:

Locate the angled metal brackets **C**.

Two brackets are required to secure the sink console to the wall.

Step 5 Notes:

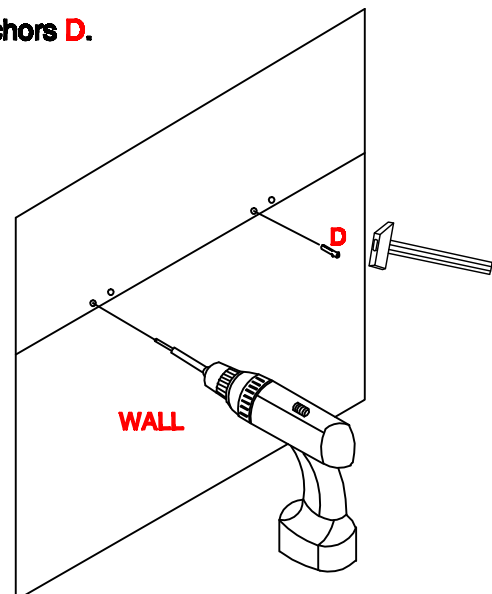
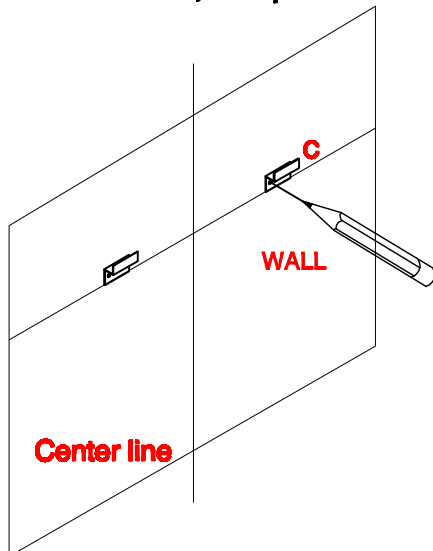
Determine the final position of the sink console and mark the center line with a pencil.

The bottom edge of the brackets **C**, will be 31 inches from the floor.

Step 6 Notes:

Moving left and right from your center line on the wall, try to locate wall studs, mark these positions with a pencil through the holes of brackets, drill the holes' depth no less than 1/2".

If you are not able to use wall studs, then please use the drywall Anchors **D**.





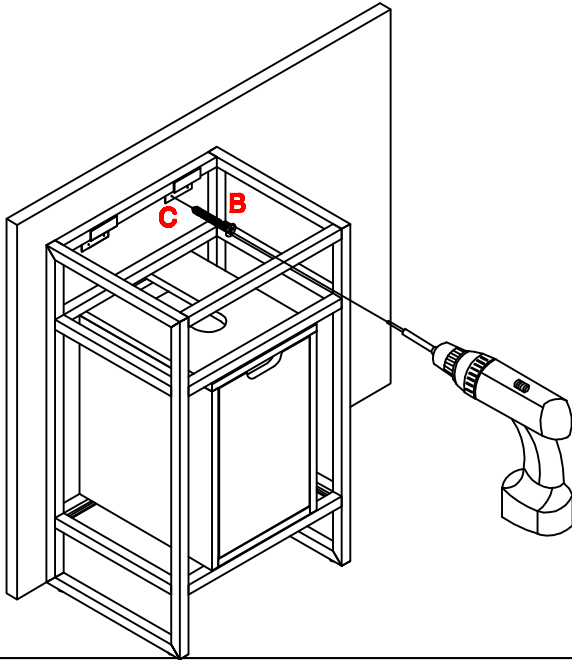
Boston Sink Consoles: 20 inch C105-V20-BNK C105-V20-MBK C105-V20-RGD

Assembly / Installation Instructions for Sink Consoles and Sink Consoles with the optional Storage Cabinet.

20 inch Boston Sink Consoles use countertop with integrated sink: SSP-S2016-WG

Step 7 Notes:

Move the sink console against the wall and attach brackets **C** to the wall, please use two people to gently lift the back of the sink console so it fits securely against the wall.



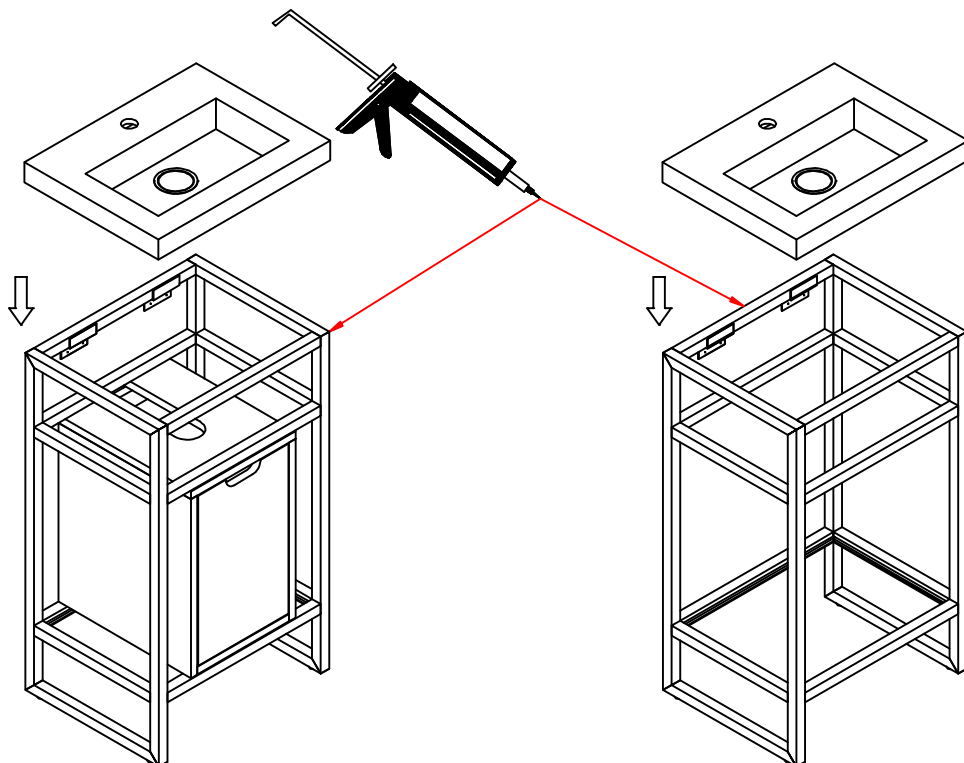
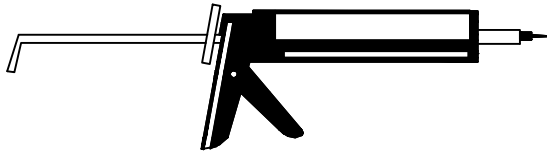
B=4 PCS screws Ø4*40



C=2 PCS Bracket



Materials for Installation:



Step 8 Notes:

Properly align and secure the countertop to the cabinet with high quality adhesive.