



JETTA
AIR HYDROTHERAPY

Cosmo Collection

FLARE

(J84) 67" x 30" x 23"

APPROX. OPERATING GALLONS: 63

AIR INJECTORS: 35

GENERAL

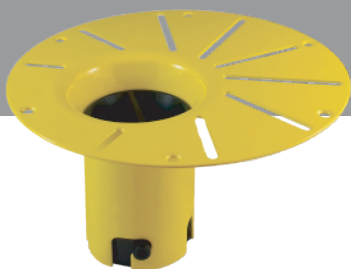
- High-gloss, High-impact, UV-resistant acrylic will not dull or fade
- Leveling feet
- Integrated linear linear waste & overflow (standard chrome)
 - White available

SYSTEM

- Seamless air injectors around tub perimeter
- Highly variable speed blower motor with 600 watt heater:
 - 115 Volt - 10 Amps - 1 HP
- Blower must be remote mounted at installation
- Electronic keypad control with variable speeds and 3 settings - Pulse, Wave, or Continuous

COLORS AVAILABLE

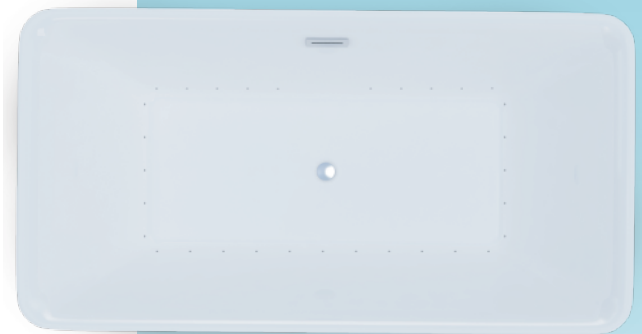
White



COSMO ABOVE FLOOR DRAIN KIT

- Freestanding tub rough-in
- Install before tile
- Designed to be installed in a 8" to 10" joist space
- Can be installed with waterproof membrane

Sold separately.
Not required for tub install



JETTAIR
HYDROTHERAPY

FOR INFORMATION OR
TO PLACE AN ORDER
CALL 1.800.288.7771



JETTACORP.COM

TECHNICAL SPECIFICATIONS

FLARE J84

67" x 30" x 23" RECTANGLE AIR

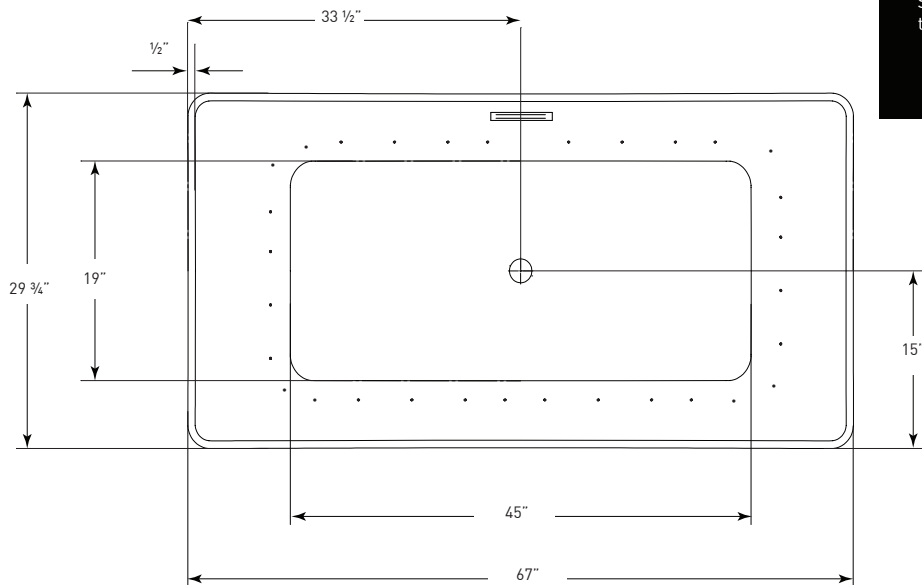
ELECTRICAL SPECIFICATIONS

Required Electrical Service 110/115 Volts
Standard Air 20 amp GFI

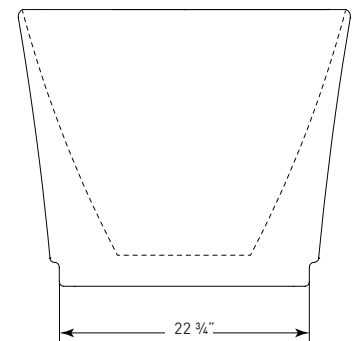
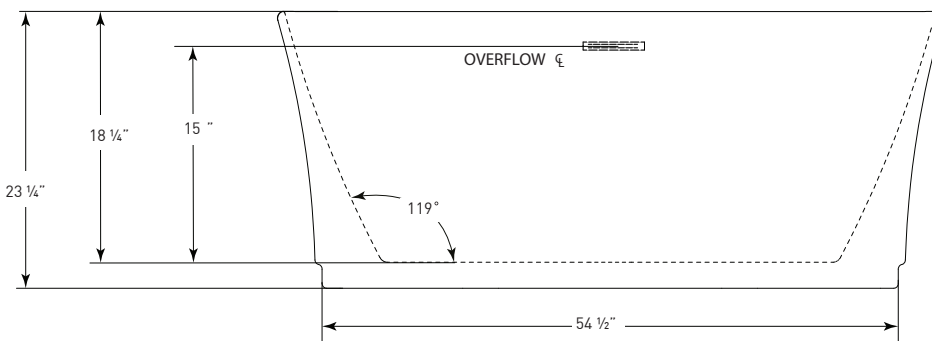
Each blower must be protected by a dedicated GFI breaker (refer to local codes).
Cannot be more than 15 ft from the tub.

CODES/STANDARDS APPLICABLE

Specific model meets or exceeds the requirements for the following standards: ANSI, ASME



**BLOWER MUST BE
REMOTE MOUNTED**



JETTACORP.COM

INSTALLATION: Measure tub before installing.

Dimensional variance on drawings may be +/- 1/2 inch and are subject to change without notice

© 2019 Jetta Corporation. All rights reserved.
Specifications are subject to change without notice.

REV 04/2021