



# CHALET

## (E05)

**72" x 42" x 22" END DRAIN**

*The spacious design, equipped with arm and foot rests, offers simple elegance in the perfect transitional tub.*

### FEATURES

- High-gloss/high-impact, UV-resistant acrylic will not dull or fade
- Installation: Drop-in
- Minimalist tub profile with a self leveling rim
- 1 person bathing well
- Lumbar support and sculpted armrests

### AVAILABLE MODELS

- Soaker
- Whirlpool
- Air

### OPTIONS

- Waste and overflows
- Spa pillows

### COLORS

White, Biscuit

### OPERATING GALLONS

50 (Approximate)



FOR INFORMATION  
OR TO PLACE AN ORDER  
CALL 1.800.288.7771

  
JETTACORP.COM



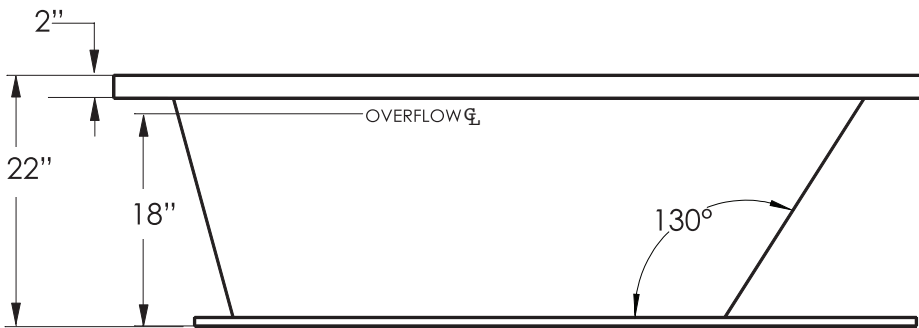
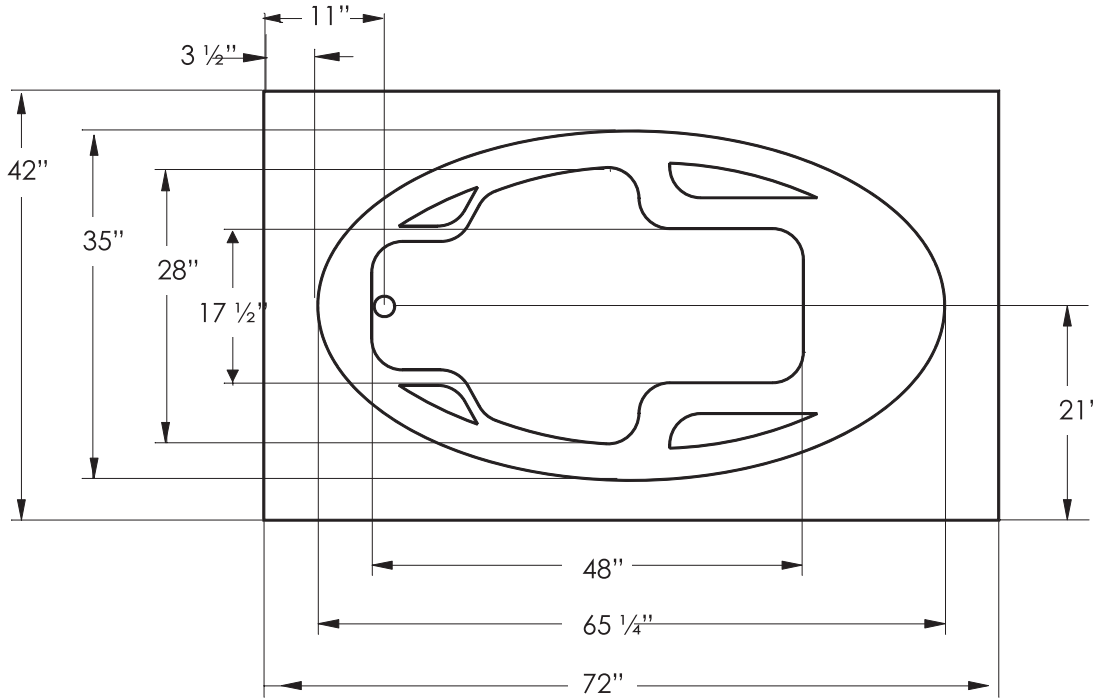
**JETTASOAK**

# E05

Advantage Collection

# CHALET

**JETTA SOAK HYDROTHERAPY** | 72" x 42" x 22" | END DRAIN



### ELECTRICAL SPECIFICATIONS

Required Electrical Service  
110/115 Volts | 15 amp GFI

### CODES/STANDARDS APPLICABLE

Specific model meets or exceeds the requirements for the following standards: ANSI, ASME

### DROP-IN CUT OUT DIMENSIONS

Subtract 1" from length and width dimensions  
Actual cut out dimension 71" x 41"

**SHIPPING WEIGHT** 208 lbs



\*Required only if optional mood or LED light is specified

### INSTALLATION: MEASURE TUB BEFORE BUILDING TUB DECK.

For best results, Jetta Corporation recommends 1"-3" of mortar bedding under the tub base for maximum support. Contact Jetta for details. Dimensional variance on drawings may be +/- 1/2 inch and are subject to change without notice.

JETTACORP.COM



© 2021 Jetta Corporation. All rights reserved. Specifications are subject to change without notice. REV 08/2021

# TECHNICAL SPECIFICATIONS