

**Commercial Pressure Balance Trim C**  
 Finishes : **chrome** Part no. : **04212000**



**Description**

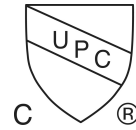
**Features**

- Flow: 4.5 GPM (17 L/Min)
- Integrated bypass for use with diverter tub spouts
- Temperature and on/off control for 1 outlet

**Item details**

List Price \$ 148.00

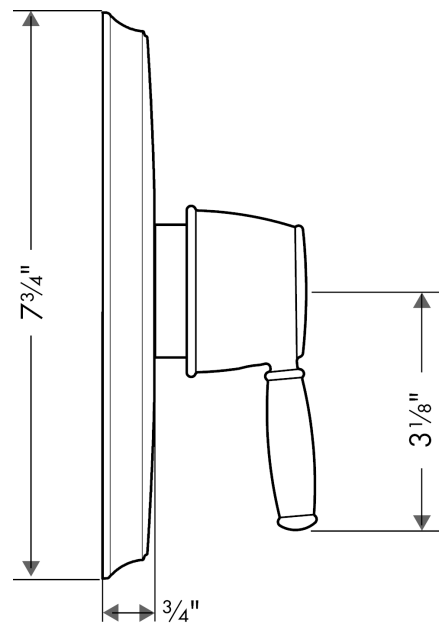
**Compliance**



**Product image**



**Scale drawing**

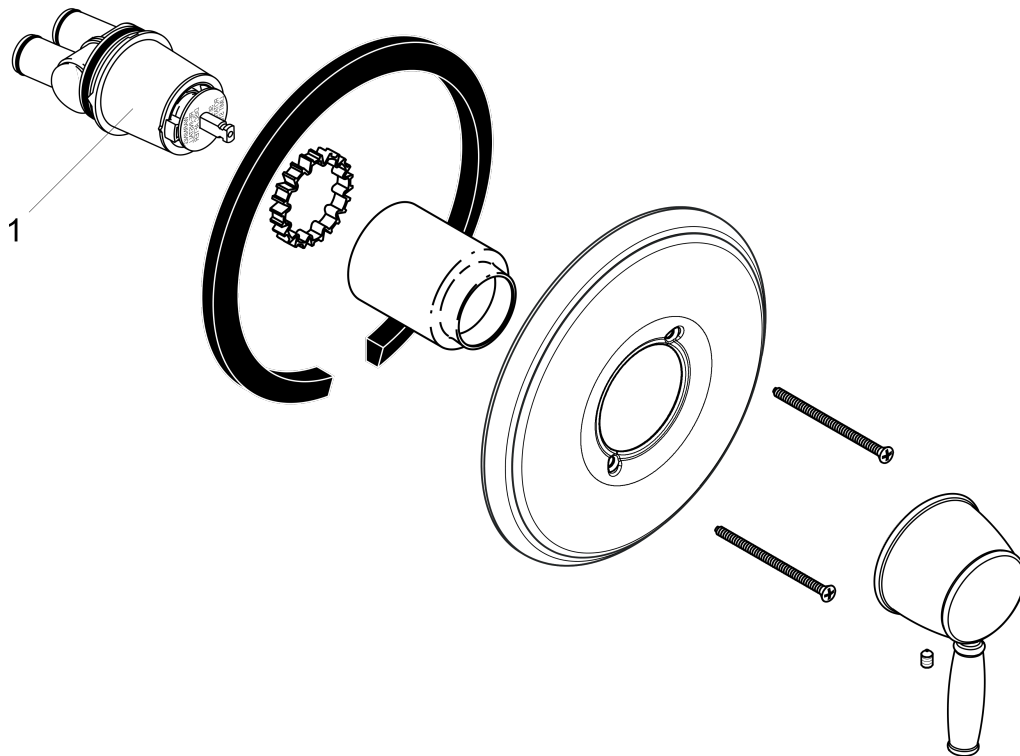


Commercial  
Pressure Balance Trim C  
Finishes : chrome Part no. : 04212000



Exploded drawing

Year of production: >10/08



**Commercial**  
**Pressure Balance Trim C**  
 Finishes : **chrome**    Part no. : **04212000**



**Spare parts list**

Year of production: >10/08

Pos.	Description	Part no.	Price	PU
1	cartridge, assy	88727000	-	1
a	base body	04120181	-	1
b	base body	04121181	-	1