



FRAME

Toilet Tissue Holder 3006

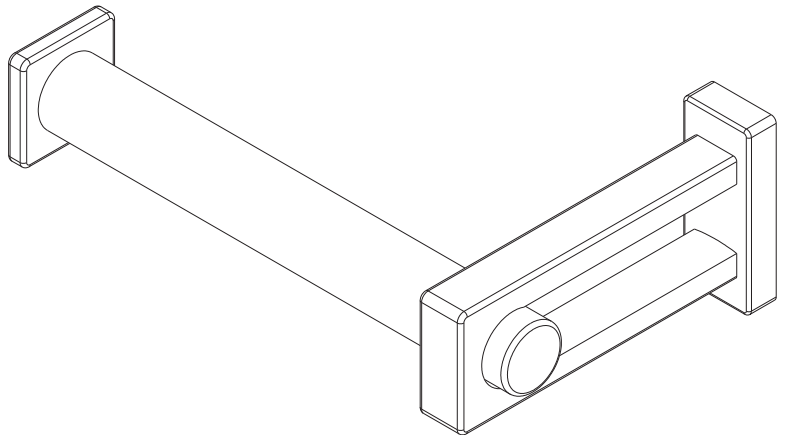
Features

- Solid brass construction
- Single-post, open roller design
- Complements Frame product series

Codes / Standards Compliance

Meets or exceeds the following at date of manufacture:

- All applicable US Federal and State material regulations



Colors / Finishes

- SN: Satin Nickel
- PC: Polished Chrome

Specified Model

Model	Description	Colors Finishes
3006	Open Toilet Tissue Holder	<input type="checkbox"/> SN <input type="checkbox"/> PC

Product Specification: Add "Color / Finish" Suffix to Model Number Below.

The Toilet Tissue Holder shall be made of solid brass construction and incorporate a single-post, open roller design. Toilet Tissue Holder shall complement motiv Frame product series. Toilet Tissue Holder shall be motiv Model 3006/_____.

3006

Product Dimensions *(units are in inches)*

