



GERBER

VITREOUS CHINA
TOILET
HE-21-519

LAVATORIES

TOILETS

BIDETS / URINALS

CAST IRON



VIPER™ 1.28 ErgoHeight™ Compact Elongated Toilet

12" Rough-in

Features:

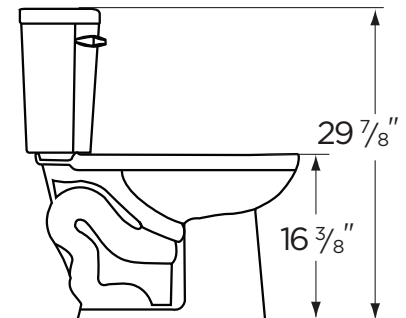
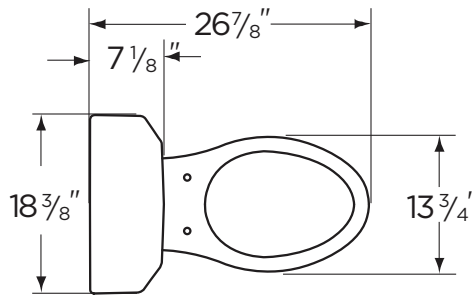
- 1.28 gpf/4.8 Lpf high efficiency two-piece toilet
- Elongated ErgoHeight™ bowl
- Compact design fits in round front space
- Dual-fed siphon jet
- Fluidmaster® fill valve
- 3" flush valve
- 2" glazed trapway
- Color matched tank lever
- Available in White and Biscuit
- 2 bolt caps
- ADA Compliant



Dimensions:

- Height 29 7/8"
- Width 18 3/8"
- Depth 26 7/8"
- Rough-in 12"
- Water Surface from Rim 6 1/8"
- Trapway (ave)* 2"
- Water Surface 9 7/8" x 6 7/8"
- Water Seal 2"
- Shipping Weight 77 lbs

Specifications: Bowl—#HE-21-872 Elongated Bowl Tank—#HE-28-570
Seat not included



THIS FIXTURE QUALIFIES ACCORDING TO ASME TEST PROCEDURES AS A HIGH EFFICIENCY WATER CLOSET WITH AN AVERAGE CONSUMPTION OF 1.28 gpf (4.8 Lpf) OR LESS.



www.gerberonline.com

Job Name	
Date	
Model Specified	
Quantity	
Customer	
Contractor	
Architect/engineer	

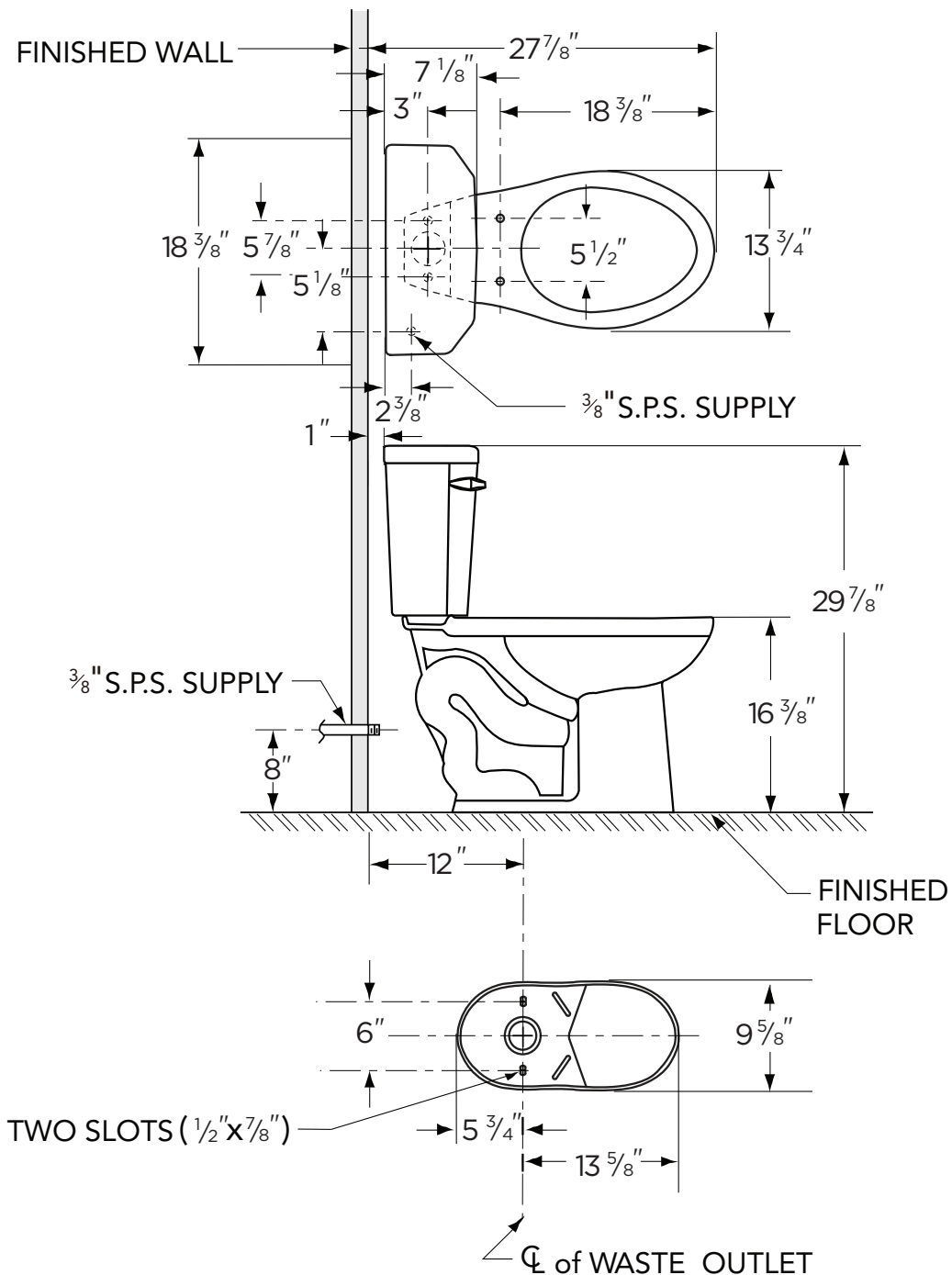


GERBER

Viper™ 1.28

HE-21-519

(Bowl HE-21-872 with Tank HE-28-570)



NOTES:

All dimensions are in inches.

Illustrations may not be drawn to scale.

IMPORTANT:

Dimensions of fixtures are nominal and may vary within the range of tolerances established by ASME Standard A 112.19.2.

THIS FIXTURE QUALIFIES ACCORDING TO ASME TEST PROCEDURES AS A HIGH EFFICIENCY WATER CLOSET WITH AN AVERAGE CONSUMPTION OF 1.28 gpf (4.8 Lpf) OR LESS.