

### SPECIFICATIONS



#### Features/Benefits

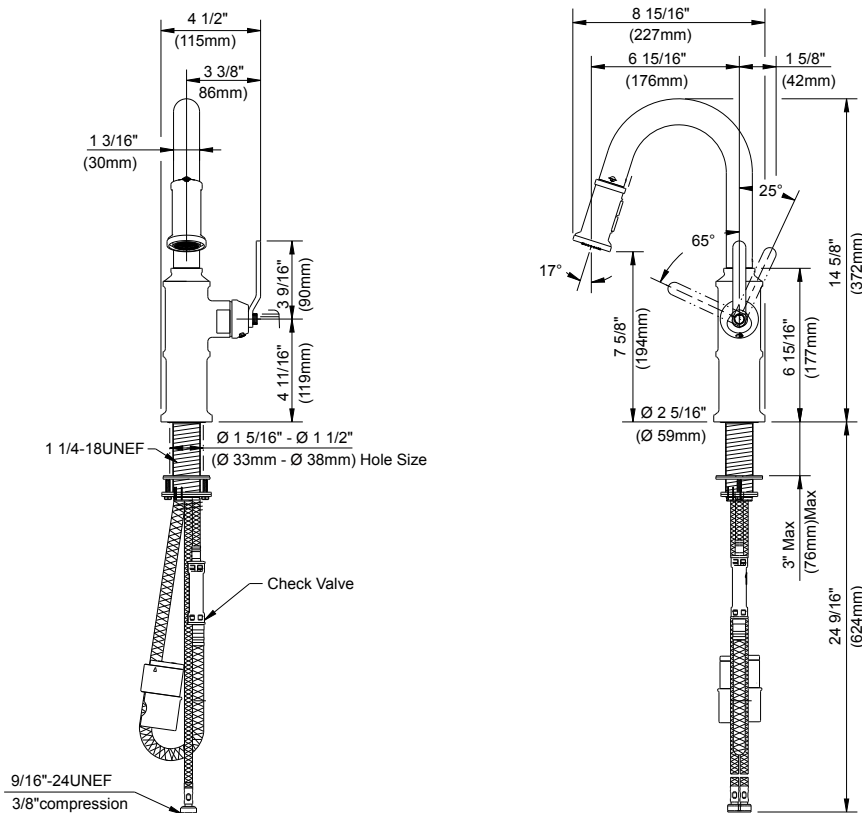
- SnapBack® Retraction System
- Easily Adjustable GripLock® Weight
- 14 5/8" Spout Height, 6 15/16" Spout Reach
- 1.75 gpm (6.6 L/min) Max Flow @ 60 psi (Sprayhead GA56804750N)
- 1.5 gpm (5.7 L/min) Max Flow @ 60 psi (Sprayhead GA56804752N)
- 2 Function Spray / Aerated Stream
- Ceramic Disc Cartridge
- 360 Degree Swivel Spout
- Single Hole Installation
- Optional Deck Plate DA665051 Sold Separately

#### Available Color/Finishes

##### Chrome

Please see [gerberonline.com](http://gerberonline.com) or current price list for available finishes. Finish is defined by additional suffix.

#### Standards & Certifications



#### Submittal Information:

Name: \_\_\_\_\_  
 Location: \_\_\_\_\_

Contractor: \_\_\_\_\_  
 Contact #: \_\_\_\_\_