



Straight Pattern Partition Stop

Features:

- Features compression stems, monel seats
- Body cast of high copper content brass
- Exposed parts have heavy chrome plate finish
- Working parts can easily be replaced
- 1/2" or 3/4" I.P.S. connections
- Sliding sleeve escutcheons
- Screwdriver slotted stem
- Come in pairs

Standards & Certifications:

- ANSI/ASME A112.18.1M
- CSA B125

Catalog Numbers:

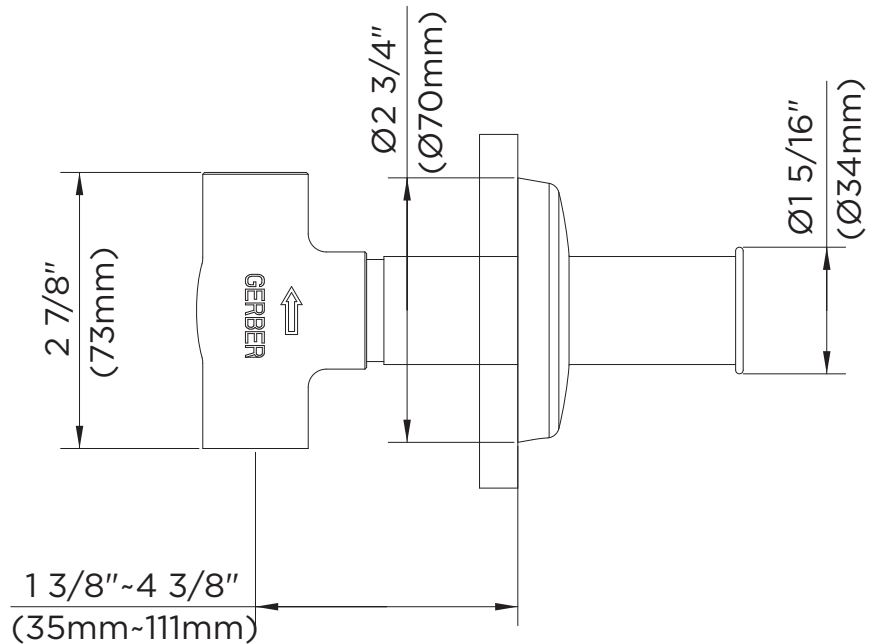
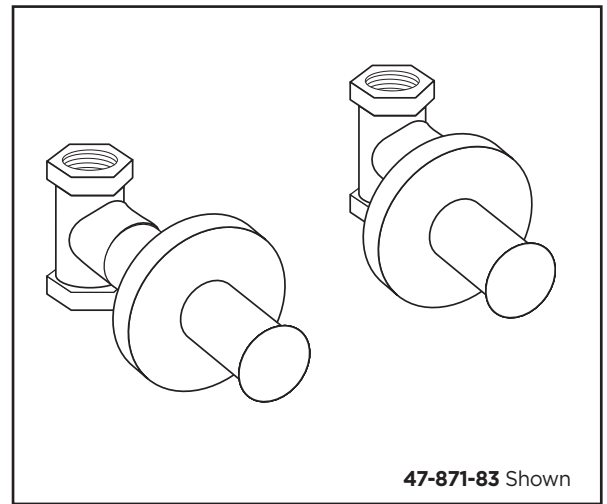
47-871-83 Sweat (Chrome) 3/4" Connections

Prefixes Available:

None

Suffixes Available:

-83 Sliding Sleeve Escutcheon



Job Name	
Date	
Model Specified	
Quantity	
Customer	
Contractor	
Architect/engineer	

Gerber Toll Free Technical Support: 888-648-6466
www.gerberonline.com