



VITREOUS CHINA

TOILET  
**20-020**

LAVATORIES

TOILETS

BIDETS / URINALS

CAST IRON



# WICKER PARK™ ErgoHeight™ 17" High Elongated Toilet

12" Rough-in

### Features:

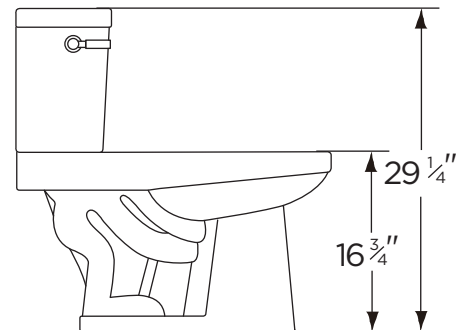
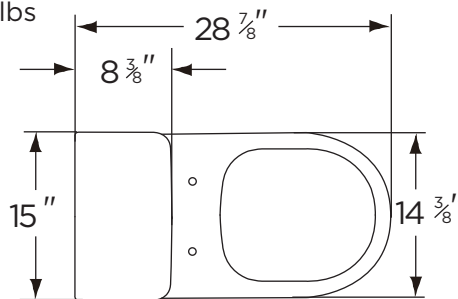
- 1.28 gpf (4.8 Lpf) High Efficiency Toilet
- ADA Elongated Bowl
- XP-3 Technology
- 3" Flush Valve
- Fluidmaster® Fill Valve
- Glazed Trapway
- Reverse Trap
- Dual Feed Jet
- Soft Close Toilet Seat Included
- Side Tank Lever
- Available in White
- 2 Bolt Caps
- ADA Compliant



### Dimensions:

- Height ..... 29 1/4"
- Width ..... 15"
- Depth ..... 28 7/8"
- Rough-in ..... 12"
- Water Surface from Rim ... 5 5/8"
- Trapway ..... 2"
- Water Surface ..... 10 3/8" x 7 1/8"
- Water Seal ..... 2 3/8"
- Shipping Weight ..... 92 1/2 lbs

**Specifications:** Bowl—#21-186 Elongated Bowl Tank—#28-186  
Includes a Closed Front Top Cover Toilet Seat



THIS FIXTURE QUALIFIES ACCORDING TO ASME TEST PROCEDURES AS A WATER CLOSET WITH AN AVERAGE CONSUMPTION OF 1.28 gpf (4.8 Lpf) OR LESS.

HIGH EFFICIENCY TOILET  
**HET**



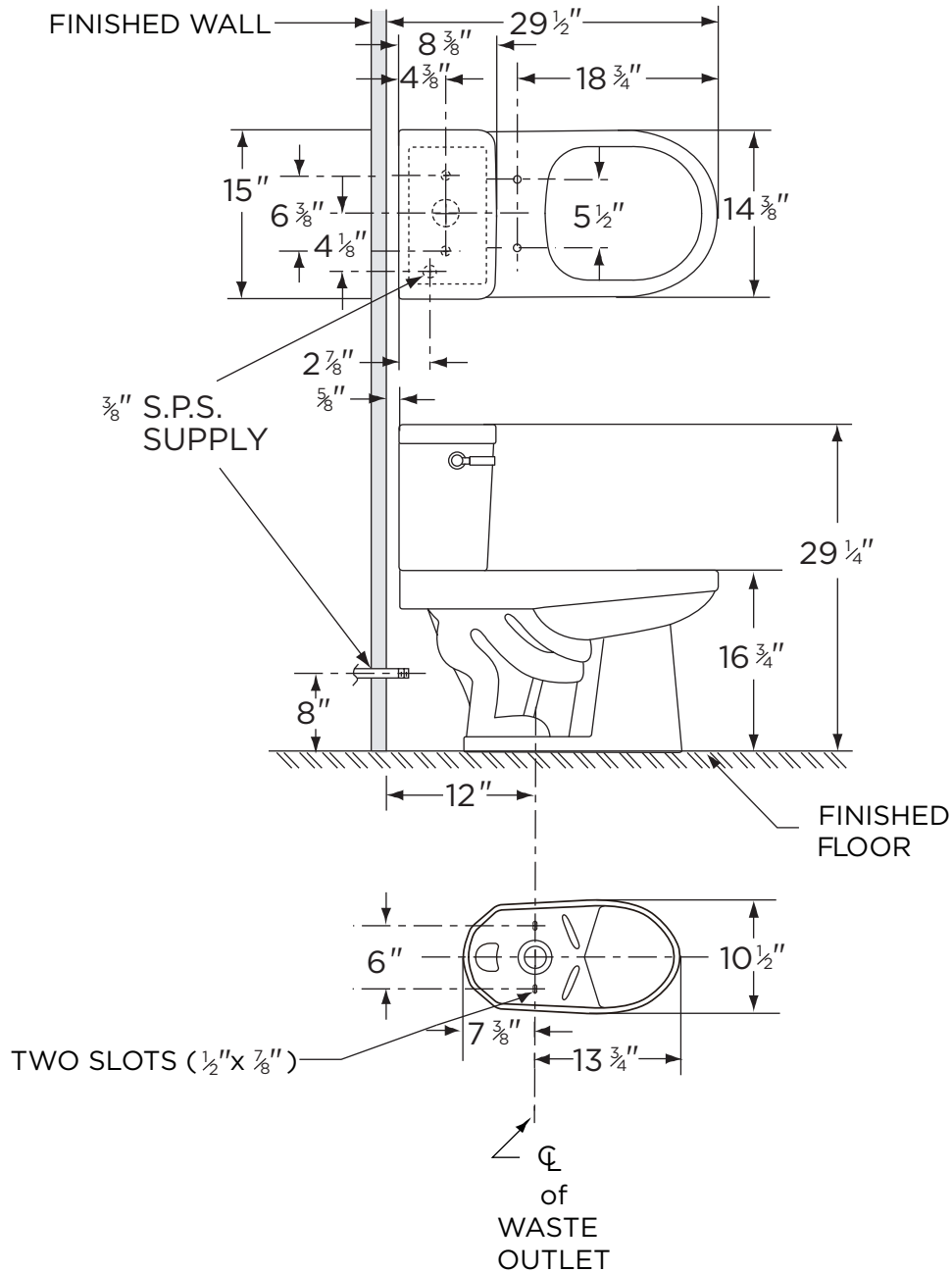
www.gerberonline.com

Job Name	
Date	
Model Specified	
Quantity	
Customer	
Contractor	
Architect/engineer	



# 1.28 gpf (4.8 Lpf) WICKER PARK™ TOILET

20-020  
17" High Elongated, 12" Rough-in  
(Bowl 21-186 with Tank 28-186)



### NOTES:

All dimensions are in inches.

Illustrations may not be drawn to scale.

### IMPORTANT:

Dimensions of fixtures are nominal and may vary within the range of tolerances established by ASME Standard A 112.19.2.

THIS FIXTURE QUALIFIES ACCORDING TO ASME TEST PROCEDURES AS A HIGH-EFFICIENCY WATER CLOSET WITH AN AVERAGE CONSUMPTION OF 1.28 GPF (4.8 LPF) OR LESS.