



GERBER

42-426 Series Gerber Classics

Two Handle Kitchen Faucet



Features:

- Cast brass underbody with heavy chrome plated brass shell
- Metal handles with acrylic hot and cold index buttons
- Compression stems with renewable brass seats
- Working parts can be easily replaced
- Tubular spout
- 8" centers for mounting
- 2.2 gpm (8.3 L/min) @ 60 psi maximum aerator
- Lead free waterway per NSF/ANSI 372
- 1/2" NPSM supply connections with brass coupling nuts
- ADA compliant handles operate with less than 5 lbs. force

Standards & Certifications:

- ASME A112.18.1M
- NSF/ANSI 372
- IAPMO/cUPC
- ICC/ANSI A117.1
- MASS Code

Catalog Numbers:

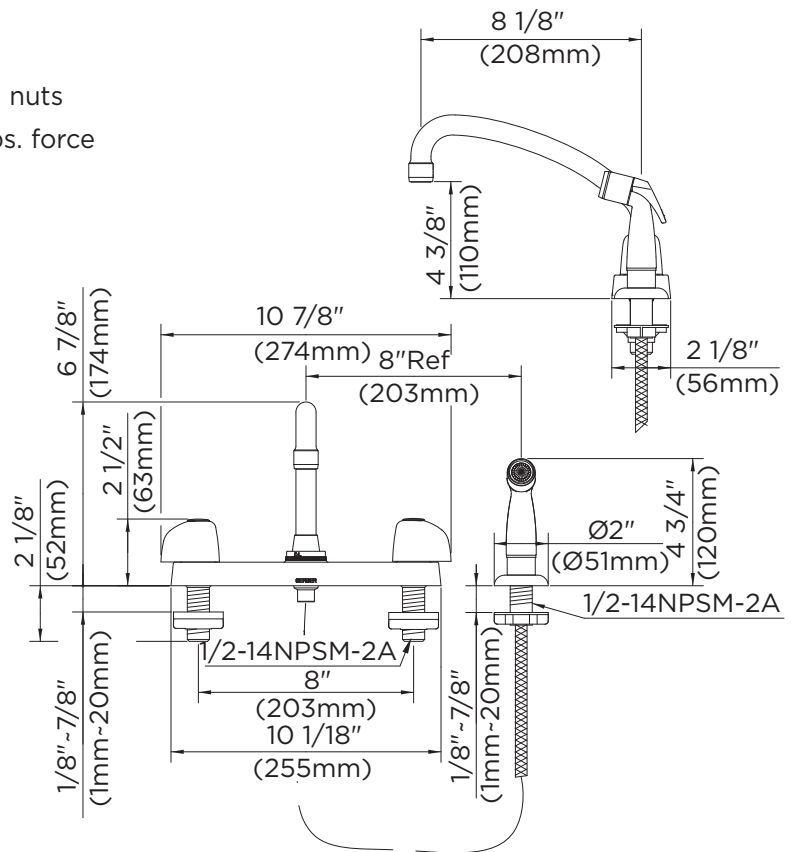
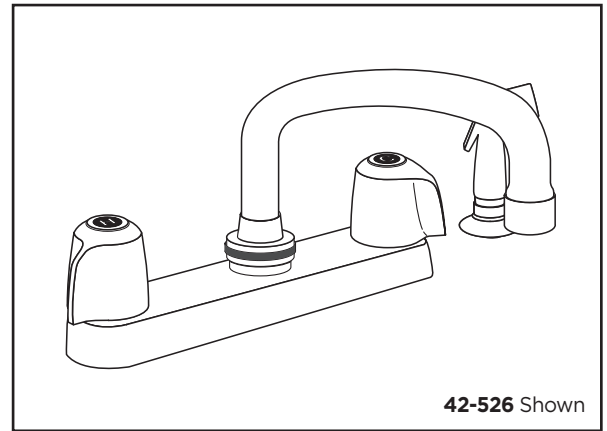
- 42-426** Less Spray, Metal Handles
- 07-42-426** Less Spray, Metal Fluted Handles
- 42-526** With Spray, Metal Handles
- 07-42-526** With Spray, Metal Fluted Handles

Prefixes Available:

- 07-** Metal Fluted Handles

Suffixes Available:

None



Job Name	
Date	
Model Specified	
Quantity	
Customer	
Contractor	
Architect/engineer	

Gerber Toll Free Technical Support: 888-648-6466
www.gerberonline.com