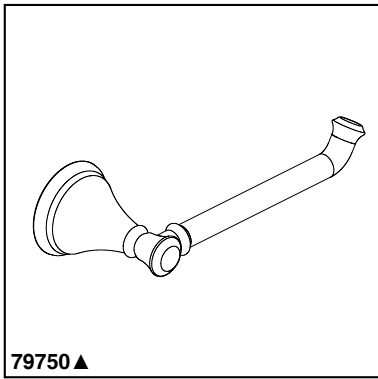




## ACCESSORIES

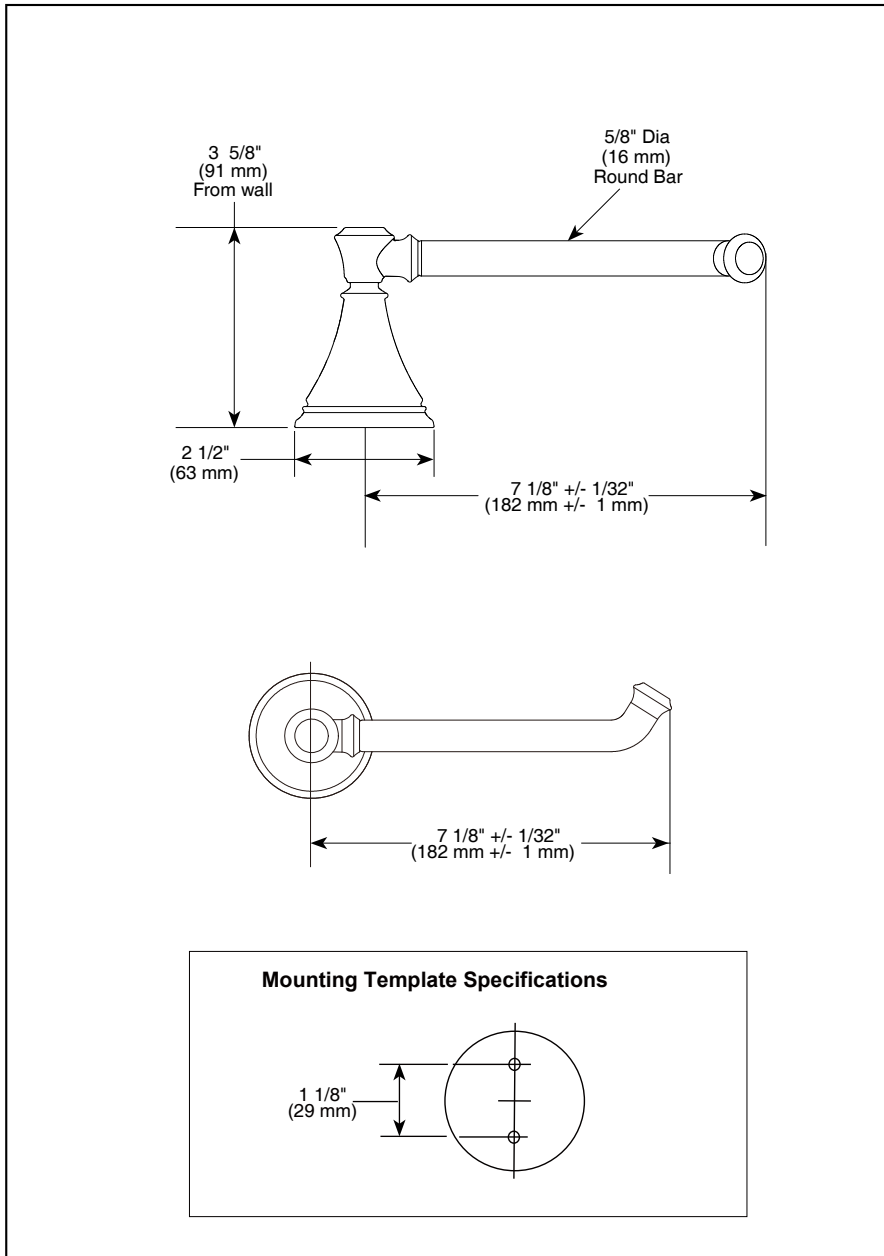
- Cassidy™ Bath Collection
- Tissue Holder



79750▲

Submitted Model No.: \_\_\_\_\_

Specific Features: \_\_\_\_\_



▲ Designate proper finish suffix

### STANDARD SPECIFICATIONS:

- Wood blocking is preferable behind all wall surfaces. If wood blocking is not available, the following fasteners are suggested: Tile/Masonry-Plastic Anchors, Plaster/Drywall-Toggle bolts.
- Mounting hardware and mounting template included with product.

### WARRANTY

- Lifetime Faucet and Finish Limited Warranty to the original consumer purchaser to be free from defects in material and workmanship.
- 5 Year Limited Warranty for usage in all industrial, commercial and business applications.



Liberty Hardware Manufacturing Corporation  
140 Business Park Drive  
Winston-Salem, NC 27107  
800.542.3789  
www.libertyhardware.com  
©2012 LHMC, A Masco Company

Delta reserves the right (1) to make changes in specifications and materials, and (2) to change or discontinue models, both without notice or obligation. Dimensions are for reference only. See current full-line price book or [www.specselect.com](http://www.specselect.com) for finish options and product availability.